



# Indoor Condensing Unit Technical Datasheet

JUNE 22, 2021  
Revision: REL

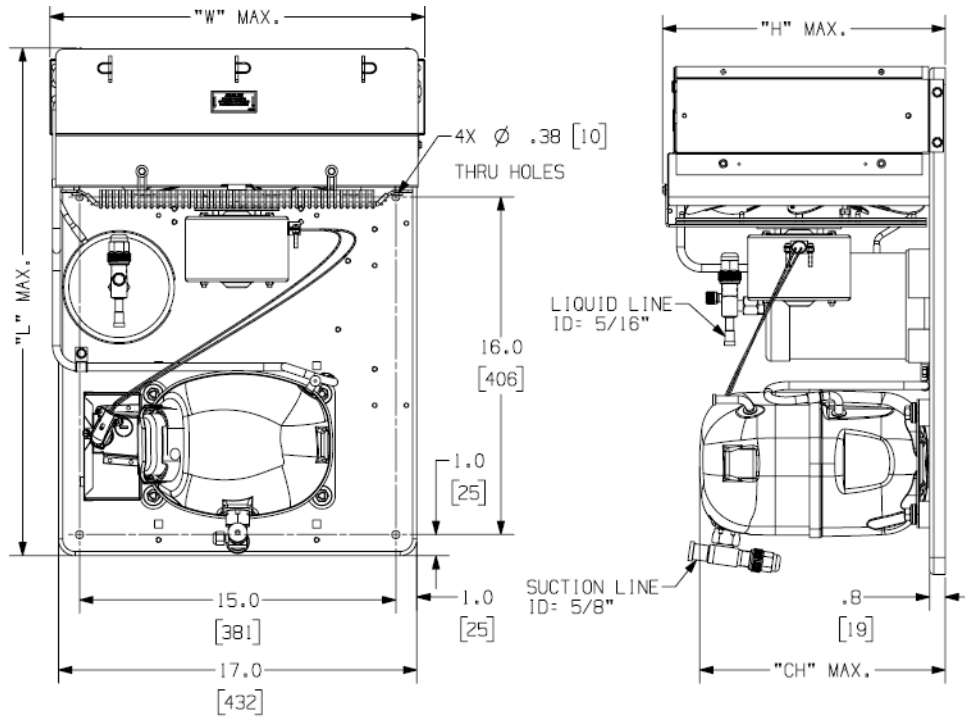
**Model: AJ7480Z-XD3AXE**

**BoM: 194943656**

**R-404A**

**1 HP**

**Air Cooled**



Model	Dimensions, inches				Line Connection*		Pumpdown	Air	Oil Ch	Gr. Wt.
	L	W	H	CH	Suction	Liquid				
<b>AJ7480Z-XD3AXE</b>	24.1	17.8	13.4	11.7	5/8"	3/8"S	90 °F 90% 6.4 lbs	SCFM 600	Oz. 16	Lbs. 120

\* F = Flare, S = Solder, RF or RS = Rotolock with Flare or Solder Connections, C = Compression Fitting  
Factory charge: 20 PSIG Nitrogen – **MUST BE EVACUATED**

Evaporator		Ambient Temperatures								
		90°F			100°F			110°F		
°F	PSIG	BTU/H	Watts	Cond T	BTU/H	Watts	Cond T	BTU/H	Watts	Cond T
-10	23.9	4330	1260	109	3600	1200	116	2850	1160	124
-5	28.2	4910	1350	112	4120	1300	119	3330	1275	126
0	32.8	5500	1440	114	4650	1420	122	3810	1390	130
5	37.9	6100	1550	117	5200	1530	125	4300	1520	132
10	43.3	6720	1660	119	5780	1650	127	4800	1640	135
15	49.2	7350	1780	123	6340	1775	130	5300	1770	137
20	55.5	7980	1900	125	6910	1900	133	5810	1900	139
25	62.2	8620	2020	129	7500	2030	136	---	---	---
32	72.5	9520	2200	133	8340	2220	139	---	---	---

### 60 Hz Performance

Return gas temp. 40°F, 5°F sub-cooling

