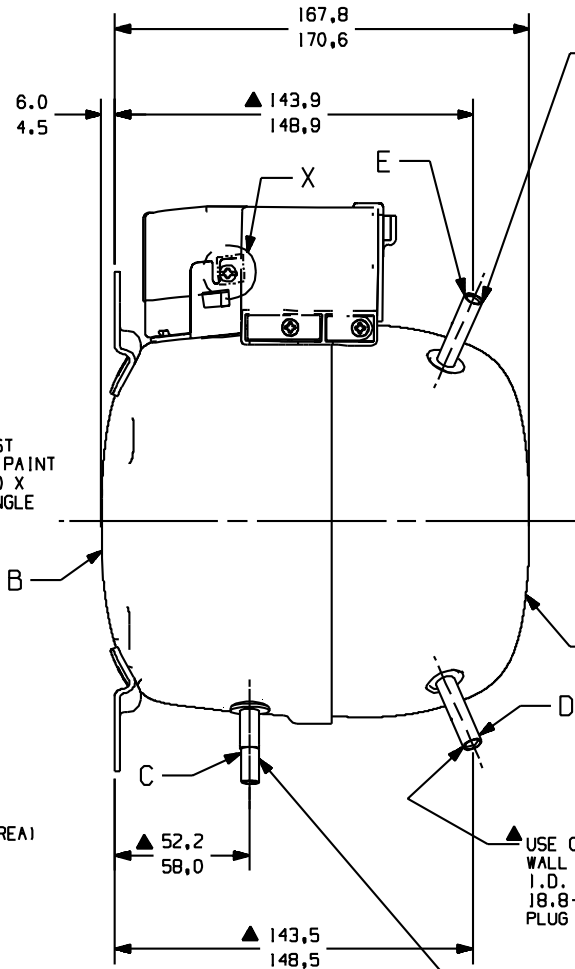


THIRD ANGLE PROJECTION	O. A. SYMBOLS
	☆ : CATEGORY I
	△ : CATEGORY II
	□ : CATEGORY III
	○ : CATEGORY IV

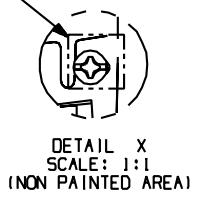


USE ONLY SUCTION CONNECTOR - COPPER
WALL 0.0. 7.9-8.0 X 0.81-0.97 SWAGE
I.D. 6.45-6.55(0.254-0.258 INCHES) X 18.8-20.3 DEEP.
PLUG 2.

USE ONLY PROCESS CONNECTOR - COPPER
WALL 0.0. 7.9-8.0 X 0.81-0.97 SWAGE
I.D. 6.45-6.55(0.254-0.258 INCHES) X 18.8-20.3 DEEP.
PLUG 2.

USE ONLY DISCHARGE CONNECTOR - COPPER
I.D. 4.92-5.02(0.194-0.198 INCHES) X 10.0-15.0 DEEP.
PLUG 1.

THIS AREA MUST BE FREE FROM PAINT WITHIN A 10.0 X 8.0 mm RECTANGLE AS SHOWN.



NOTES:
1-SEE SPEC. IN BM. ASSEMBLE PARTS AS SHOWN.
2-SEE SPEC. "A-B" & A-C FOR PROCESS.

LETTER	DRAWING NR.
A	BRT2124
B	BRCC1270
C	PER B.M.
D	BRA134002-2
E	BRA134002-2

EC	DATE	DESCRIPTION
T.	F.	
IN PROCESS		
CHANGE		
LC		
AA		

THIS DRAWING OR PRINT (1:1) IS THE PROPERTY OF TECUMSEH DO BRASIL LTDA. AND CONTAINS INFORMATION THAT IS CONFIDENTIAL AND NOT TO BE MADE AVAILABLE TO THE RECIPIENT ON THE EXPRESS AND SPECIFIC CONDITION THAT NEITHER IT NOR THE INFORMATION CONTAINED THEREIN OR DISCLOSED OR MADE AVAILABLE TO ANY OTHER PERSON OR ENTITY WITHOUT THE WRITTEN SPECIFIC AUTHORIZATION OF TECUMSEH DO BRASIL AND SPECIFICALLY APPROVED IN WRITING BY TECUMSEH DO BRASIL AND NOT OTHERWISE. (1111) SHALL NOT BE COPIED OR TO ANY EXTENT WITH-OUT TECUMSEH DO BRASIL PRIOR WRITING AND SHALL BE RETURNED TO THE RECIPIENT UPON REQUEST. (1111) PROMPTLY AFTER SUCH REQUEST IS MADE.

DO NOT SCALE THIS DRAWING. ALL PER-MISSIBLE MATERIALS MUST NOT BE MARKETIZED AS RECEIVED ON A COMPRESSOR ASSEMBLY.

NAME: SALES COMPRESSOR
PART NO.: BRDCTH303
DWN.: A. MARCOS 30/01/07
CR.: TATIANE
APR.: WALTER CORREA
SCALE: 1:2
PAGE: 1/1
AZ TH