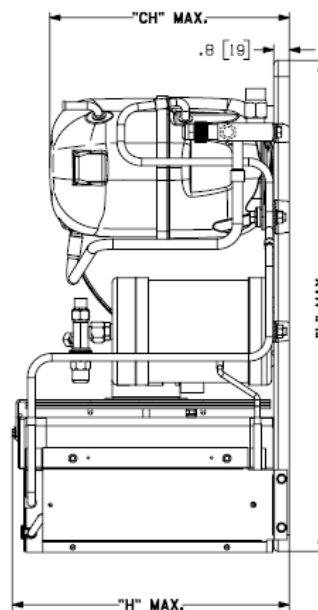
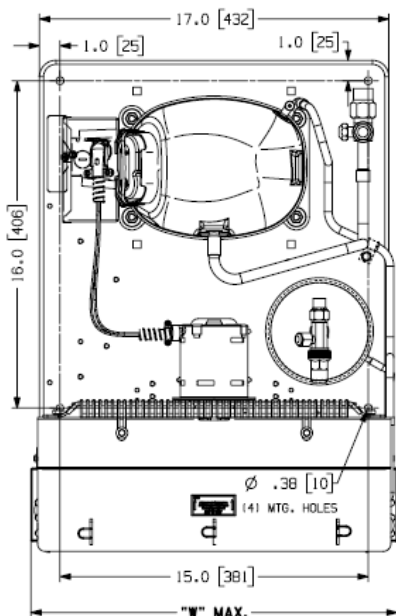




# Indoor Condensing Unit Technical Data Sheet

**Model: AJ9486E-XD3AXC**  
**BoM: 29A1183-1      R-22      1 HP**



Model	Dimensions, inches				Line Connection*		Pumpdown	Air	Oil Ch	Gr. Wt.
	L	W	H	CH	Suction	Liquid	90 °F 90%	SCFM	Oz.	Lbs.
AJ9486E-XD3AXC	24.0	17.8	13.5	11.7	5/8" F	3/8" F	7 lbs.	600	16.1	101

\* F = Flare, S = Solder, RF or RS = Rotolock with Flare or Solder Connections, C = Compression Fitting  
Factory charge: 20 PSIG Nitrogen – **MUST BE EVACUATED**

Evaporator T,		Ambient Temperatures								
		90°F			100°F			110°F		
°F	PSIG	BTUH	Watts	Cond T	BTUH	Watts	Cond T	BTUH	Watts	Cond T
-10	16.5	3600	1010	104	---	---	---	---	---	---
-5	20.0	4300	1090	106	3700	1100	111	---	---	---
0	24.0	5100	1170	108	4500	1190	113	---	---	---
5	28.2	5900	1250	110	5200	1270	116	4700	1300	121
10	32.8	6800	1330	113	6100	1360	118	5500	1390	124
15	37.7	7700	1420	115	6900	1450	120	6300	1480	127
20	43.0	8600	1500	117	7800	1530	123	7100	1570	130
25	48.8	9600	1580	120	8600	1620	126	7900	1670	133
30	54.8	10400	1670	123	9500	1710	129	8800	1760	136
35	61.5	11400	1760	126	10500	1810	133	9700	1860	140
40	68.5	12400	1850	129	11400	1910	136	10600	1960	144
45	76.0	13400	1950	132	12300	2010	139	11500	2070	147

### 60 Hz Performance

Return Gas 40°F for 20°F and Below Evaporator and 65°F above 20°F Evaporator, Sub cooling 5°F

**Specifications/ Parts:**

<b>Unit Model</b>	<b>AJ9486E-XD3AXC</b>
<b>Unit Bill of Material</b>	<b>29A1183-1</b>
Refrigeration Range	-10° F to 45° F
Design Pressure Low	150
Design Pressure High	450
Nominal Volts-Hz-Ph	208-230/60/1
Voltage Range	187 to 254
Min. Circuit Ampacity	11.4
Max. Fuse Size (amps)	15
Compressor Model	AJ9484E-XD3A
Comp. Bill of Material	AJ4EM1DF846P00-S
Compressor RLA/LRA	6.1/51
Overload	571658
Relay	8200RVAM14
Run Capacitor	85PR370E42
Start Capacitor	85PS250C19

Fan Motor	810F050C20
Fan Motor RLA	0.7
Fan Blade	51563
Fan Shroud	70736-1
Fan Guard	71062
Condenser	50802-6
Receiver Tank	51081
Liquid Valve	31547-8
Suction Valve	56575-2
Power Cord	N/A
Unit Drawing	DGU1893-112
Wiring Diagram	90657-1
Replacement Kit: Relay	K71-20
Replacement Kit: O/L	N/A
Replacement Kit: St. Cap	K146-36
Replacement Kit: Run Cap	K150-05

**Electrical Diagram**

