



# Indoor Condensing Unit Technical Datasheet

JULY 20, 2021  
Revision: REL

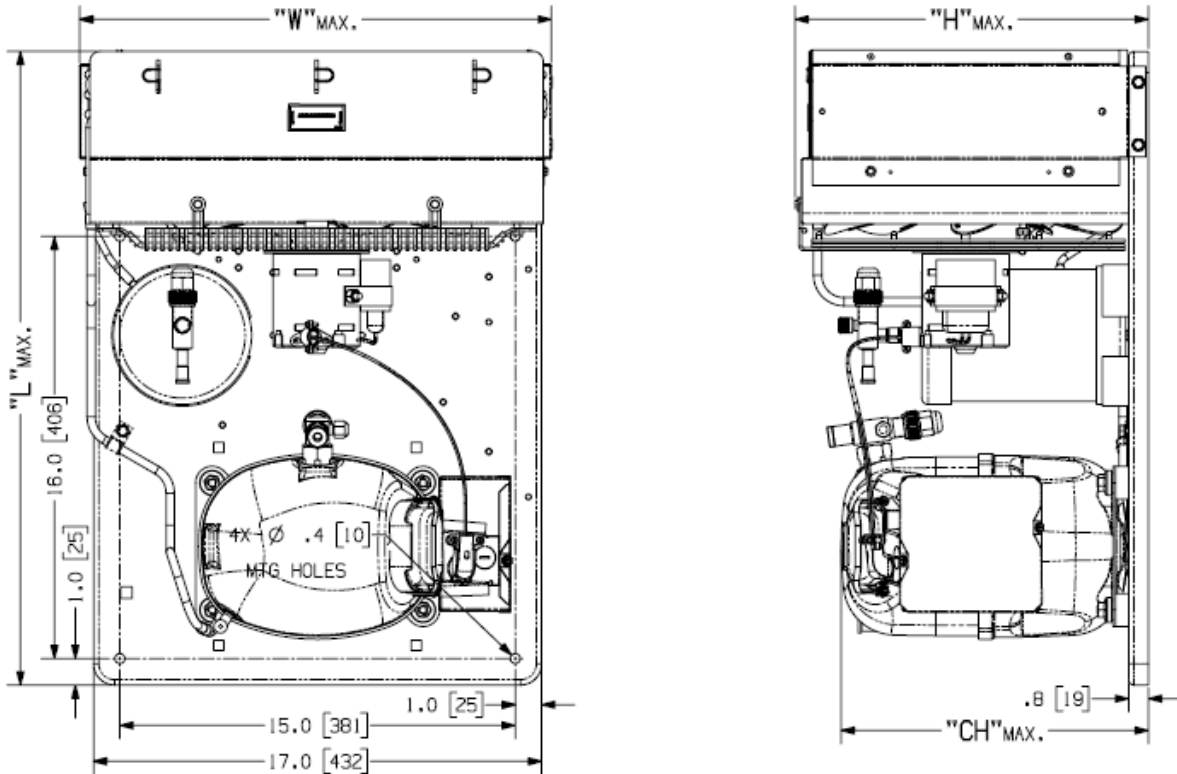
Model: AJ4512Y-XD3AXC

BOM: 29A1193-9

R-134a

1 HP

Air Cooled



Model	Dimensions, inches				Line Connection*		Pump down	Air	Oil Ch	Gr. Wt.
	L	W	H	CH	Suction	Liquid	90 °F 90%	CFM	Oz.	Lbs.
<b>AJ4512Y-XD3AXC</b>	24.0	17.9	13.4	11.7	5/8" F	3/8" F	7.48 lbs	610	16	98

\* F = Flare, S = Solder, RF or RS = Rotolock with Flare or Solder Connections, C = Compression Fitting  
Factory charge: 20 PSIG Nitrogen – **MUST BE EVACUATED**

Evaporator T,		Ambient Temperatures								
		90°F			100°F			110°F		
°F	PSIG	BTUH	Watts	Cond T	BTUH	Watts	Cond T	BTUH	Watts	Cond T
20	18.4	7250	1190	114	6800	1200	119	6350	1220	123
25	22.1	8200	1270	116	7650	1280	121	7200	1300	125
30	26.0	9100	1340	118	8600	1360	122	8100	1380	127
35	30.3	10100	1430	119	9550	1450	123	9000	1420	129
40	35.0	11100	1510	120	10500	1530	125	9950	1550	130
45	40.0	11200	1600	121	11500	1620	127	10900	1640	131
50	45.3	13300	1690	123	12600	1710	129	11950	1730	132
55	51.1	14500	1780	125	13800	1810	130	13000	1830	134

## 60 Hz Performance

Return gas temp 40°F below 20°F evaporator,  
and 65°F above 20° evap, 5°F sub cooling

