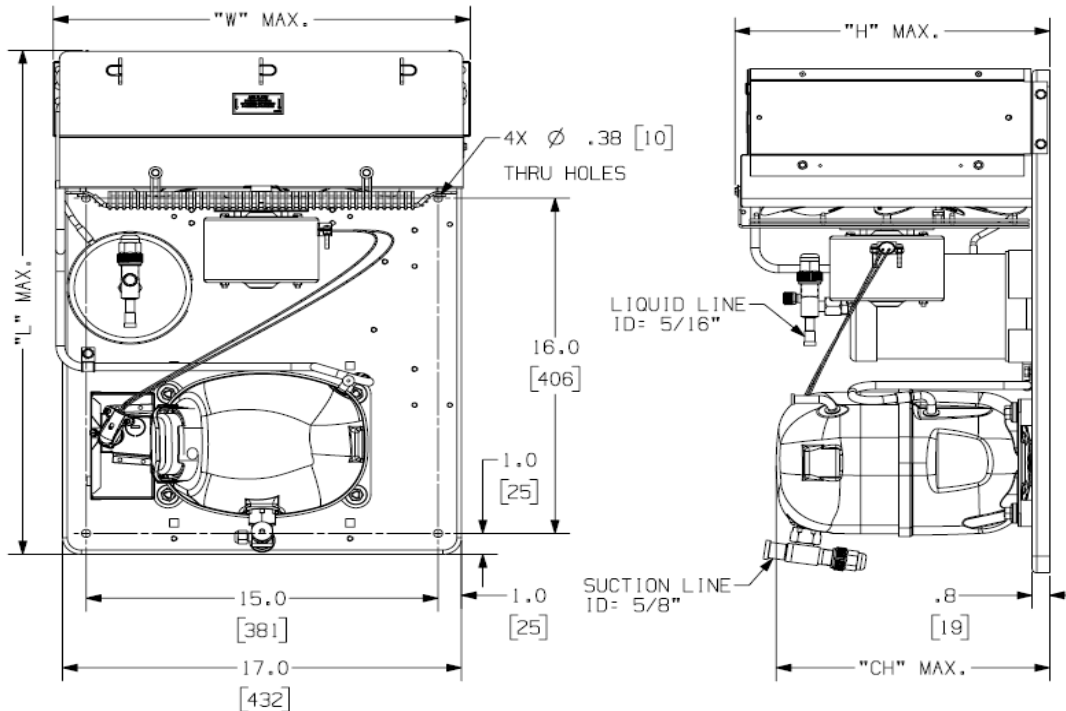




# Indoor Condensing Unit Technical Datasheet

JUNE 18, 2021  
Revision: REL

**Model: AJ7480Z-XD3AXE    BoM: 29B1184-1    R-404A    1 HP    AIRCOOLED**



Model	Dimensions, inches				Line Connection*		Pump-down	Air	Oil Ch	AWEF	Unit Wt.
	L	W	H	CH	Suction	Liquid	90 °F 90%	SCFM	Oz.		Lbs.
<b>AJ7480Z-XD3AXE</b>	24.1	17.8	13.4	11.7	5/8" S	5/16" S	6.0 lbs	600	16	---	120

\* F = Flare, S = Solder, RF or RS = Roto lock with Flare or Solder Connections, C = Compression Fitting

Evaporator		R-404A Performance								
		90°F			100°F			110°F		
°F	PSIG	BTU/H	Watts	Cond T	BTU/H	Watts	Cond T	BTU/H	Watts	Cond T
-10	23.9	4330	1260	109	3600	1200	116	2850	1160	124
-5	28.2	4910	1350	112	4120	1300	119	3330	1275	126
0	32.8	5500	1440	114	4650	1420	122	3810	1390	130
5	37.9	6100	1550	117	5200	1530	125	4300	1520	132
10	43.3	6720	1660	119	5780	1650	127	4800	1640	135
15	49.2	7350	1780	123	6340	1775	130	5300	1770	137
20	55.5	7980	1900	125	6910	1900	133	5810	1900	139
25	62.2	8620	2020	129	7500	2030	136	---	---	---
30	69.3	9259	2149	132	8103	2165	138	---	---	---

**60 Hz Performance**  
Return gas temp. 40°F, 5°F sub cooling

