



Tecumseh

Indoor Condensing Unit Technical Datasheet

JULY 14, 2021
Revision: REL

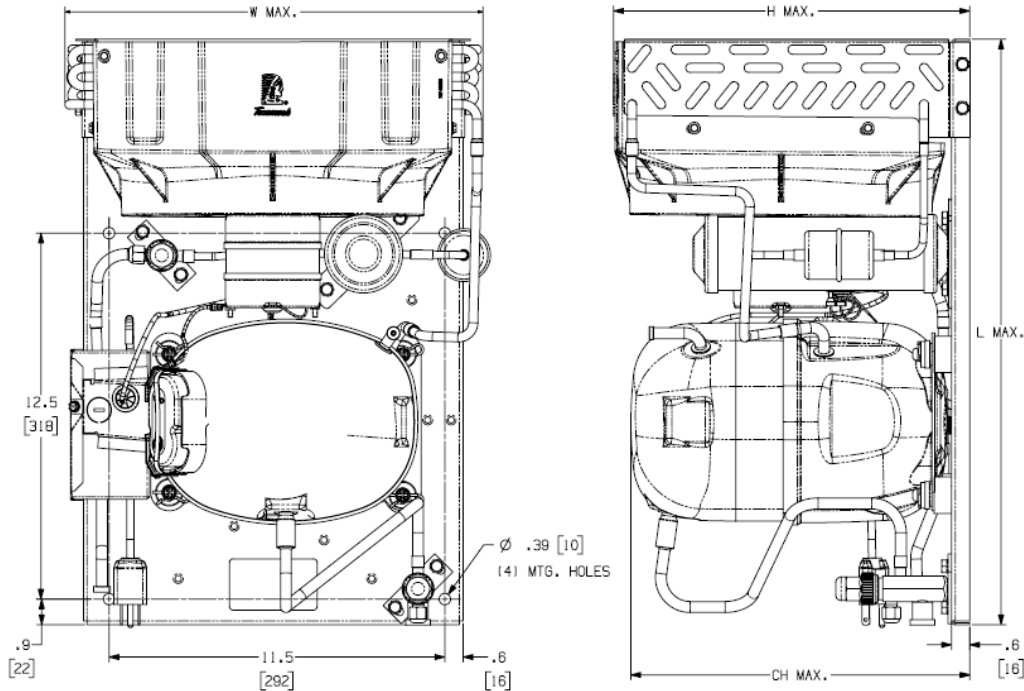
Model: AJ4480Y-AA1CD*

BoM: 29G733-**

R-134a

3/4 HP

Air Cooled



Model	Dimensions, inches				Line Connection*		Pumpdown	Air	Oil Ch	Gr. Wt.
	L	W	H	CH	Suction	Liquid	90 °F 90%	SCFM	Oz.	Lbs.
AJ4480Y-AA1CDG	20.0	14.3	12.1	11.6	5/8" S	3/8" S	2.92 lbs.	230	16	64
AJ4480Y-AA1CDH					5/8" S	3/8" S	N/A			63
AJ4480Y-AA1CDC					5/8" S	3/8" S	2.92 lbs.			64
AJ4480Y-AA1CDS					5/8" S	3/8" S	N/A			63

* F = Flare, S = Solder, RF or RS = Rotolock with Flare or Solder Connections, C = Compression Fitting
Factory charge: 20 PSIG Nitrogen – **MUST BE EVACUATED**

Evaporator T,		Ambient Temperatures											
		80°F			90°F			100°F			110°F		
°F	PSIG	BTUH	Watts	Cond T	BTUH	Watts	Cond T	BTUH	Watts	Cond T	BTUH	Watts	Cond T
20	18.4	5305	875	112	4791	878	120	4300	881	128	3829	884	135
25	22.1	5883	946	116	5328	954	123	4796	962	131	4287	970	139
30	26.1	6467	1022	120	5871	1035	127	5298	1047	135	4749	1060	142
35	30.4	7051	1101	124	6413	1119	131	5800	1136	138	---	---	---
40	35.1	7631	1184	127	6950	1207	135	6294	1229	142	---	---	---
45	40.1	8201	1271	131	7550	1298	139	---	---	---	---	---	---
50	45.5	8756	1362	135	7988	1394	142	---	---	---	---	---	---

60 Hz Performance

Return gas temp 40°F below 20°F evaporator,
and 65°F above 20° evap, 5°F sub cooling

Specifications/ Parts:

Unit Model	AJ4480Y-AA1CD*
Unit Bill of Material	29G733-**
Refrigeration Range	20° F to 55° F
Design Pressure Low	150
Design Pressure High	450
Nominal Volts-Hz-Ph	115/60/1
Voltage Range	103 to 127
Min. Circuit Ampacity	17.9
Max. Fuse Size (amps)	30
Compressor Model	AJ4492Y-XA1A
Comp. Bill of Material	AJ4YL1AF843P00-S
Compressor RLA/LRA	13.6/56
Overload	571654
Relay	8200RVAM20
Run Capacitor	N/A
Start Capacitor	85PS165E26
Replacement Kit: Relay	K71-18
Replacement Kit: St. Cap	K146-58
Replacement Kit: O/L	K90-164
Fan Motor	810-10097
Fan Motor RLA	.85
Fan Blade	515-10003
Fan Shroud/Guard Combo	707-00005
Condenser	506-10008
Unit Drawing	DGU1971-27
Wiring Diagram	91266-02

Unit Model	AJ4480Y-AA1CDG
Unit Bill of Material	29G733-19
Receiver Tank	510-10000
Liquid Valve	56659
Suction Valve	56660
Unit Model	AJ4480Y-AA1CDH
Unit Bill of Material	29G733-29
Liquid Valve	56659
Suction Valve	56660
Unit Model	AJ4480Y-AA1CDC
Unit Bill of Material	29G733-59
Receiver Tank	510-10000
Liquid Valve	56659
Suction Valve	56660
Power Cord	85106-22
Unit Model	AJ4480Y-AA1CDS
Unit Bill of Material	29G733-69
Liquid Valve	56659
Suction Valve	56660

Electrical Diagram

