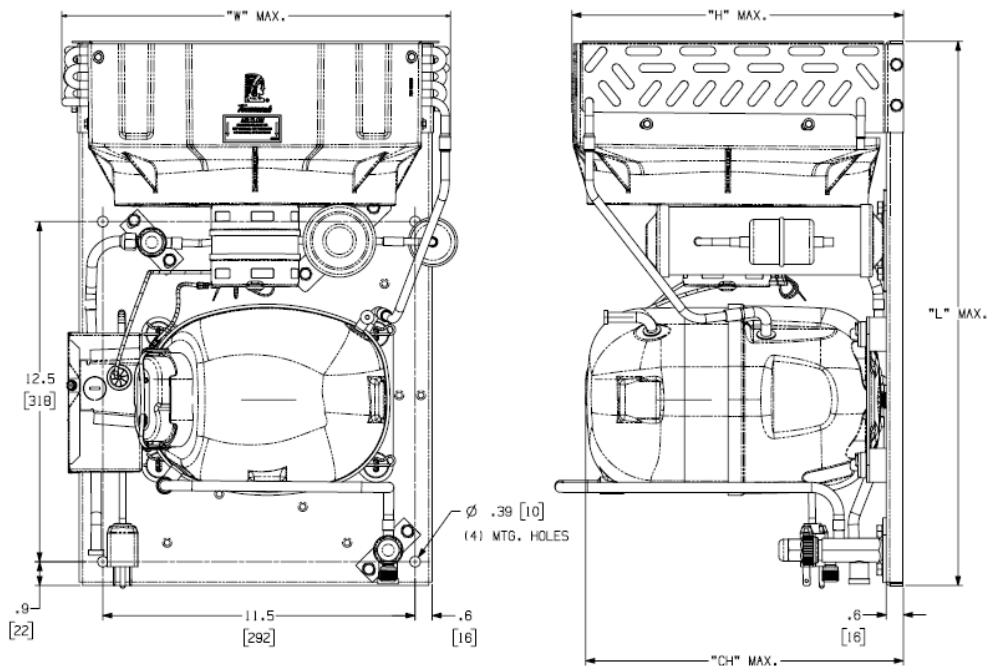




*Tecumseh*

# Celseon® Air Cooled Condensing Unit

Model: AJ4480Y-XD1AD\*  
BoM: 29G734-\*9 R-134a 3/4 HP



| Model          | Dimensions, inches |      |      |      | Line Connection* |        | Pumpdown  | Air  | Oil Ch | Gr. Wt. |
|----------------|--------------------|------|------|------|------------------|--------|-----------|------|--------|---------|
|                | L                  | W    | H    | CH   | Suction          | Liquid | 90 °F 90% | SCFM | Oz.    | Lbs.    |
| AJ4480Y-XD1ADG | 20.0               | 14.3 | 12.1 | 11.7 | 5/8" S           | 3/8" S | 3.2 lbs.  | 230  | 16.1   | 64      |
| AJ4480Y-XD1ADH |                    |      |      |      |                  |        | N/A       |      |        | 63      |
| AJ4480Y-XD1ADC |                    |      |      |      |                  |        | 3.2 lbs.  |      |        | 64      |
| AJ4480Y-XD1ADJ |                    |      |      |      |                  |        | 3.2 lbs.  |      |        | 65      |

\* F = Flare, S = Solder, RF or RS = Rotolock with Flare or Solder Connections, C = Compression Fitting

Factory charge: 20 PSIG Nitrogen – **MUST BE EVACUATED**

| Evaporator T, |      | Ambient Temperatures |       |        |      |       |        |       |       |        |       |       |        |
|---------------|------|----------------------|-------|--------|------|-------|--------|-------|-------|--------|-------|-------|--------|
|               |      | 80°F                 |       |        | 90°F |       |        | 100°F |       |        | 110°F |       |        |
| °F            | PSIG | BTUH                 | Watts | Cond T | BTUH | Watts | Cond T | BTUH  | Watts | Cond T | BTUH  | Watts | Cond T |
| 20            | 18.4 | 5305                 | 875   | 112    | 4791 | 878   | 120    | 4300  | 881   | 128    | 3829  | 884   | 135    |
| 25            | 22.1 | 5883                 | 946   | 116    | 5328 | 954   | 123    | 4796  | 962   | 131    | 4287  | 970   | 139    |
| 30            | 26.1 | 6467                 | 1022  | 120    | 5871 | 1035  | 127    | 5298  | 1047  | 135    | 4749  | 1060  | 142    |
| 35            | 30.4 | 7051                 | 1101  | 124    | 6413 | 1119  | 131    | 5800  | 1136  | 138    | ---   | ---   | ---    |
| 40            | 35.0 | 7631                 | 1184  | 127    | 6950 | 1207  | 135    | 6294  | 1229  | 142    | ---   | ---   | ---    |
| 45            | 40.0 | 8201                 | 1271  | 131    | 7550 | 1298  | 139    | ---   | ---   | ---    | ---   | ---   | ---    |
| 50            | 45.4 | 8756                 | 1362  | 135    | 7988 | 1394  | 142    | ---   | ---   | ---    | ---   | ---   | ---    |

## 60 Hz Performance

Return Gas 40°F for 20°F and Below Evaporator and 65°F above 20°F Evaporator, Sub cooling 5°F

**Specifications/ Parts:**

|                              |                       |
|------------------------------|-----------------------|
| <b>Unit Model</b>            | <b>AJ4480Y-XD1ADG</b> |
| <b>Unit Bill of Material</b> | <b>29G734-19</b>      |
| Refrigeration Range          | 20° F to 55° F        |
| Design Pressure Low          | 150                   |
| Design Pressure High         | 450                   |
| Nominal Volts-Hz-Ph          | 208-230/60/1          |
| Voltage Range                | 187 to 254            |
| Min. Circuit Ampacity        | 9.6                   |
| Max. Fuse Size (amps)        | 15                    |
| Compressor Model             | AJ4492Y-XD1A          |
| Comp. Bill of Material       | AJ4YL1DF843P00-S      |
| Compressor RLA/LRA           | 7.3/38                |
| Overload                     | 8300MRAH24            |
| Relay                        | 8200EMBJ96            |
| Run Capacitor                | N/A                   |
| Start Capacitor              | 85PS250C19            |
| Fan Motor                    | 810-10096             |
| Fan Motor RLA                | .45                   |
| Fan Blade                    | 515-10003             |
| Fan Shroud/Guard Combo       | 707-00005             |
| Condenser                    | 506-10008             |
| Receiver Tank                | 510-10000             |
| Liquid Valve                 | 56659                 |
| Suction Valve                | 56660                 |
| Power Cord                   | N/A                   |

|                              |                       |
|------------------------------|-----------------------|
| <b>Unit Model</b>            | <b>AJ4480Y-XD1ADH</b> |
| <b>Unit Bill of Material</b> | <b>29G734-29</b>      |
| Receiver Tank                | N/A                   |
| Power Cord                   | N/A                   |
| <b>Unit Model</b>            | <b>AJ4480Y-XD1ADC</b> |
| <b>Unit Bill of Material</b> | <b>29G734-59</b>      |
| Receiver Tank                | 510-10000             |
| Power Cord                   | 85259-5               |
| <b>Unit Model</b>            | <b>AJ4480Y-XD1ADJ</b> |
| <b>Unit Bill of Material</b> | <b>29G734-79</b>      |
| Receiver Tank                | 510-10000             |
| Power Cord                   | N/A                   |
| Filter Drier                 | 71116                 |
| Sight Glass                  | 70084-S               |
| Unit Drawing                 | DGU1971-20            |
| Wiring Diagram               | 91266-01              |
| Replacement Kit: Relay       | K71-11                |
| Replacement Kit: O/L         | K90-91                |
| Replacement Kit: St. Cap     | K146-36               |

**Electrical Diagram**

