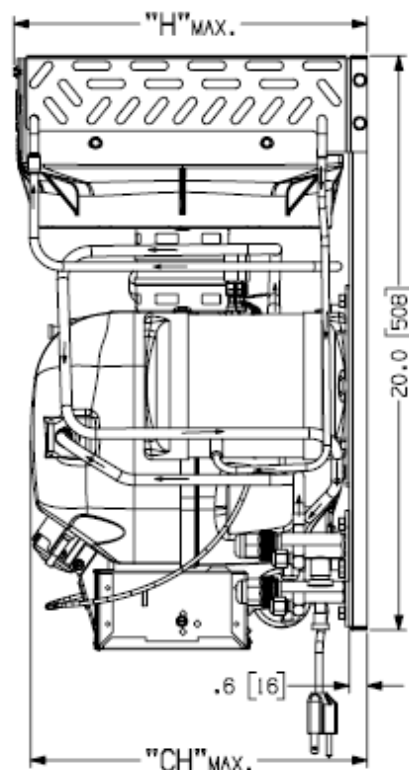
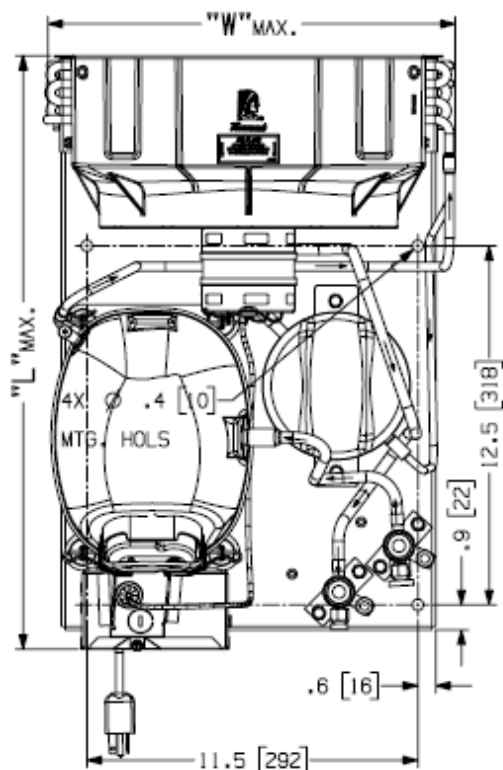




Celseon® Air Cooled Condensing Unit

Tecumseh

Model: AJ4480Y-XD1ADC
BoM: 29G747-59 R-134a 3/4 HP



Large Capacity Pump Down Unit

Model	Dimensions, inches				Line Connection*		Pumpdown	Air	Oil Ch	Gr. Wt.
	L	W	H	CH	Suction	Liquid	90 °F 90%	SCFM	Oz.	Lbs.
AJ4480Y-XD1ADC	20.7	14.2	12.3	11.7	5/8" S	3/8" S	6.6 lbs.	230	16.1	64

* F = Flare, S = Solder, RF or RS = Rotolock with Flare or Solder Connections, C = Compression Fitting

Factory charge: 20 PSIG Nitrogen – **MUST BE EVACUATED**

Evaporator T,		Ambient Temperatures											
		80°F			90°F			100°F			110°F		
°F	PSIG	BTUH	Watts	Cond T	BTUH	Watts	Cond T	BTUH	Watts	Cond T	BTUH	Watts	Cond T
20	18.4	5305	875	112	4791	878	120	4300	881	128	3829	884	135
25	22.1	5883	946	116	5328	954	123	4796	962	131	4287	970	139
30	26.1	6467	1022	120	5871	1035	127	5298	1047	135	4749	1060	142
35	30.4	7051	1101	124	6413	1119	131	5800	1136	138	---	---	---
40	35.0	7631	1184	127	6950	1207	135	6294	1229	142	---	---	---
45	40.0	8201	1271	131	7550	1298	139	---	---	---	---	---	---
50	45.4	8756	1362	135	7988	1394	142	---	---	---	---	---	---

60 Hz Performance

Return Gas 40°F for 20°F and Below Evaporator and 65°F above 20°F Evaporator, Sub cooling 5°F

Specifications/ Parts:

Unit Model	AJ4480Y-XD1ADC
Unit Bill of Material	29G747-59
Refrigeration Range	20° F to 55° F
Design Pressure Low	150
Design Pressure High	450
Nominal Volts-Hz-Ph	208-230/60/1
Voltage Range	187 to 254
Min. Circuit Ampacity	9.6
Max. Fuse Size (amps)	15
Compressor Model	AJ4492Y-XD1A
Comp. Bill of Material	AJ4YL1DF843P00-S
Compressor RLA/LRA	7.3/38
Overload	8300MRAH24
Relay	8200EMBJ96
Run Capacitor	N/A
Start Capacitor	85PS250C19

Fan Motor	810-10096
Fan Motor RLA	.45
Fan Blade	515-10003
Fan Shroud/Guard Combo	707-00005
Condenser	506-10008
Receiver Tank	510-10002
Liquid Valve	56662
Suction Valve	56661
Power Cord	85259-5
Unit Drawing	DGU1971-31
Wiring Diagram	91266-01
Replacement Kit: Relay	K71-11
Replacement Kit: O/L	K90-91
Replacement Kit: St. Cap	K146-36
Replacement Kit: Run Cap	N/A

Electrical Diagram

