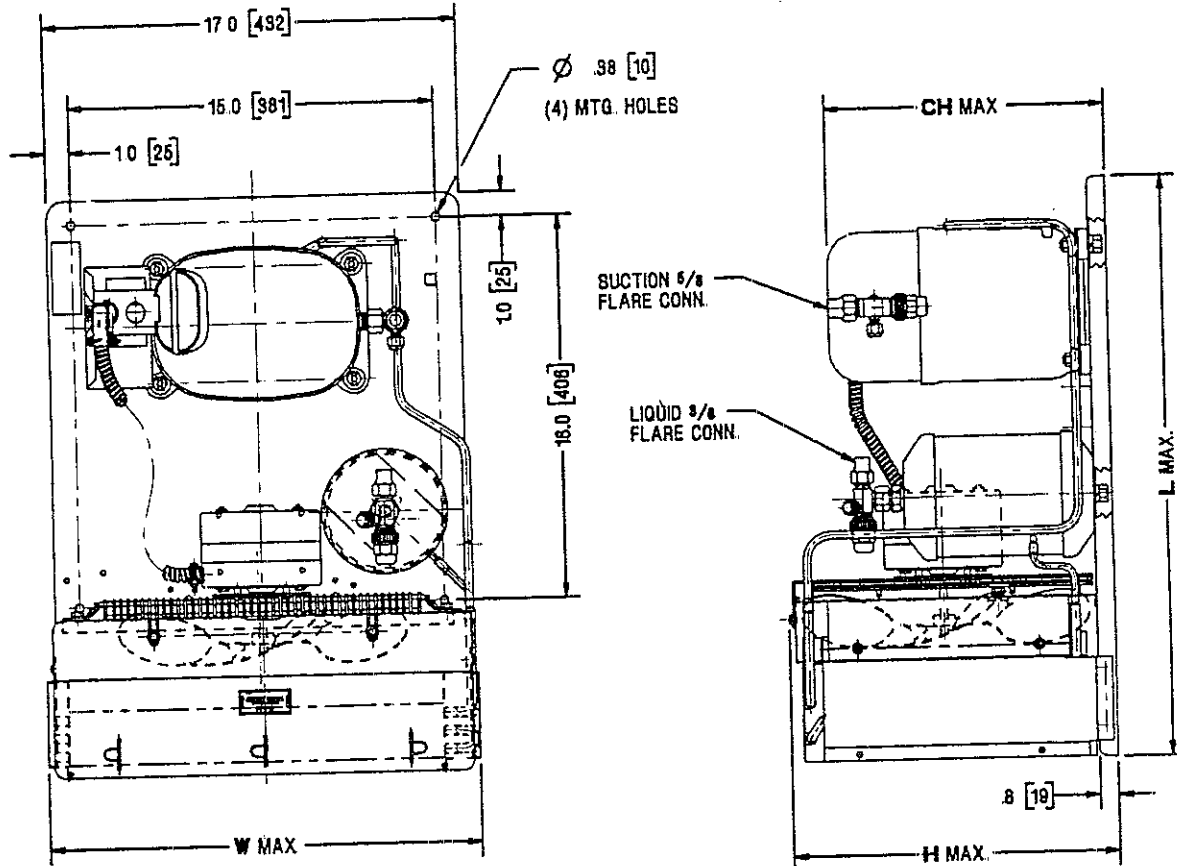




TECUMSEH HERMETIC CONDENSING UNITS

Date: April 1, 1997

MODEL AJA4512AXDXC (Formerly AJ4512AC) R-12 1 HP AIR COOLED



NOTE:
DIMENSIONING = INCHES [MILLIMETERS]

Model	Dimensions				*Line Connection		Pumpdown 90° F 90% Full	Air CFM	Oil Chg oz.	Gr. Wt. Lbs.
	L	W	H	CH	Suct.	Liq.				
AJA4512AXDXC	24.2	17.9	13.2	12.2	5/8 F	3/8 F	6.7#	800	22	93

*F=Flare, S=Solder, RF or RS= Rotolock Valve with Flare or Solder Connections C= Compression Fitting
Factory charge: 20 psig dry air - **MUST BE EVACUATED** 60 HZ Performance

Approved Evap. Range		Ambient								
		90° F			100° F			110° F		
°F	PSIG	BTUH	Watts	Head	BTUH	Watts	Head	BTUH	Watts	Head
+20	21.0	7400	1250	152	7050	1290	173	6700	1330	192
25	24.6	8200	1340	160	7800	1380	180	7400	1415	200
30	28.5	8900	1430	164	8600	1470	185	8000	1505	206
40	37.0	10780	1620	174	10200	1660	198	9600	1700	220
45	41.7	11780	1725	180	11150	1765	200	10500	1810	224
50	46.7	12780	1830	182	12150	1880	202	11600	1925	226

SPECIFICATIONS	AJA4512AXDC	
Nominal Voltage -----	230/208-60-1	
Unit B/M -----	2A1129-9	
Voltage Range -----	253 to 187	
Min. Circuit Ampacity --	9.9	
Max. Fuse Size (Amps) --	15	
Compressor Model -----	AJA4512AXD	
Bill of Material --	AJ131GT-193	
RLA/LRA -----	7.0/41.0	
Fan RLA -----	1.10	
ESP Overload -----	P83725-1	
ESP Relay -----	P82960	
Int. Rel. Box -----	AE1170-005	
Start Cap -----	85PS330C24	Run Cap. ----- 85PR370E36
Rating -----	88-108/330V	Rating ----- 15/370V
Fan Motor -----	TFM372	
Fan Blade -----	51563	Receiver Tank ----- 51081
Shroud -----	70736-1	Receiver Tank Valve --- 31547 (3/8"F)
Condenser -----	K42-4	Suction Rotolock ----- 31071-1 (5/8"F)
Fan Guard -----	71062	
Unit Drawing -----	SU1893-24	
Schematic or Elect. Dwg. ----	90657-1	

