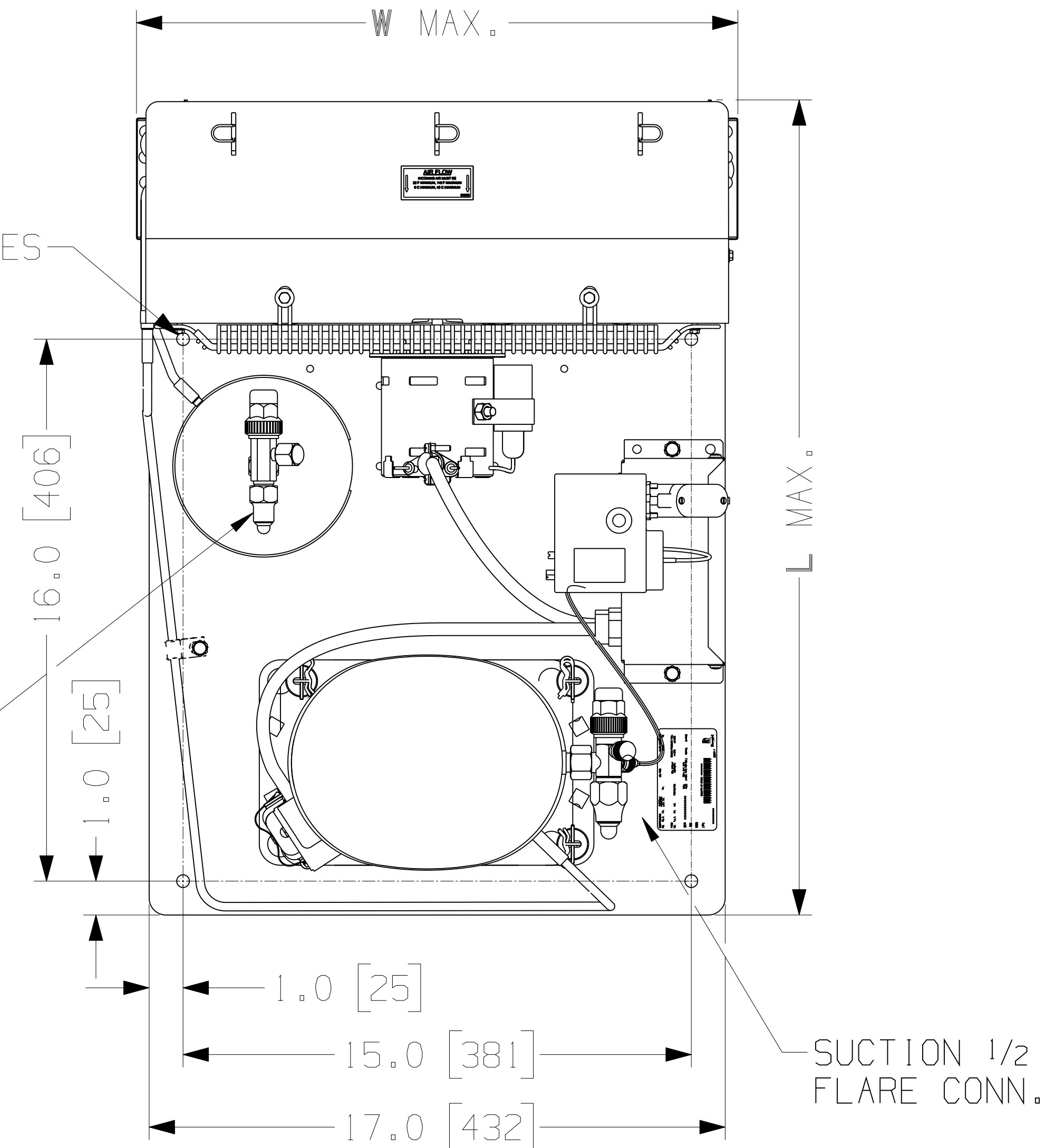


Ø .38 [10]
(4) MTG. HOLES

LIQUID 3/8 FLARE CONN.



SUCTION 1/2 FLARE CONN.

NOTE!
DIMENSIONING = INCHES [MILLIMETERS]

L	W	H	CH
24.1 [612]	17.8 [451]	13.5 [343]	10.2 [258]

LT	LC	CHANGE	DATE
G	---	ECEC3381.4 REDRAWN IN 3D NO CHANGE	ASHOK 03DEC10
F	---	#242851-001 CHANGED TO MATCH D6U	AMIT 09SEP04
E	---	#242851-001 CORRECTED REV. PROBLEMS	09SEP04
D	---	#236790-001 R.E.S. LIQUID TUBE REVISED	05MAY98
C	---	#231384-014 CHG'D. MOTOR, GUARD, SHROUD, MOUNTINGS & CONDUIT CONN.	W.E.M. 08MAR96
B	---	#232180-043 T.M.G. REPLACE TANK	25AUG95
A	---	#232053 REVISED CONDUIT CONNECTOR AT COMPRESSOR	W.E.M. 03MAY95
REL.	#230319-10	---	---

D15.CODE		NAME	
---		HERMETIC CONDENSING UNIT	
MATERIAL		SCALE	THIS PRINT SUPERSEDES ALL PRINTS PRIOR TO
NOTED		1" : 3"	
PART NO.		SU1909-53	

3D, VNX6

O.A. SYMBOLS

- ★ = CATEGORY I
- ▲ = CATEGORY II
- = CATEGORY III
- = CATEGORY IV

AK

DO NOT SCALE THIS DRAWING OR PRINT. ALL DIMENSIONS ARE TO BE TAKEN FROM THE ORIGINAL DRAWING. MATERIALS MUST NOT BE MAGNETIZED AS THIS MAY AFFECT THE OPERATION OF THE COMPRESSOR.