



Indoor Condensing Unit

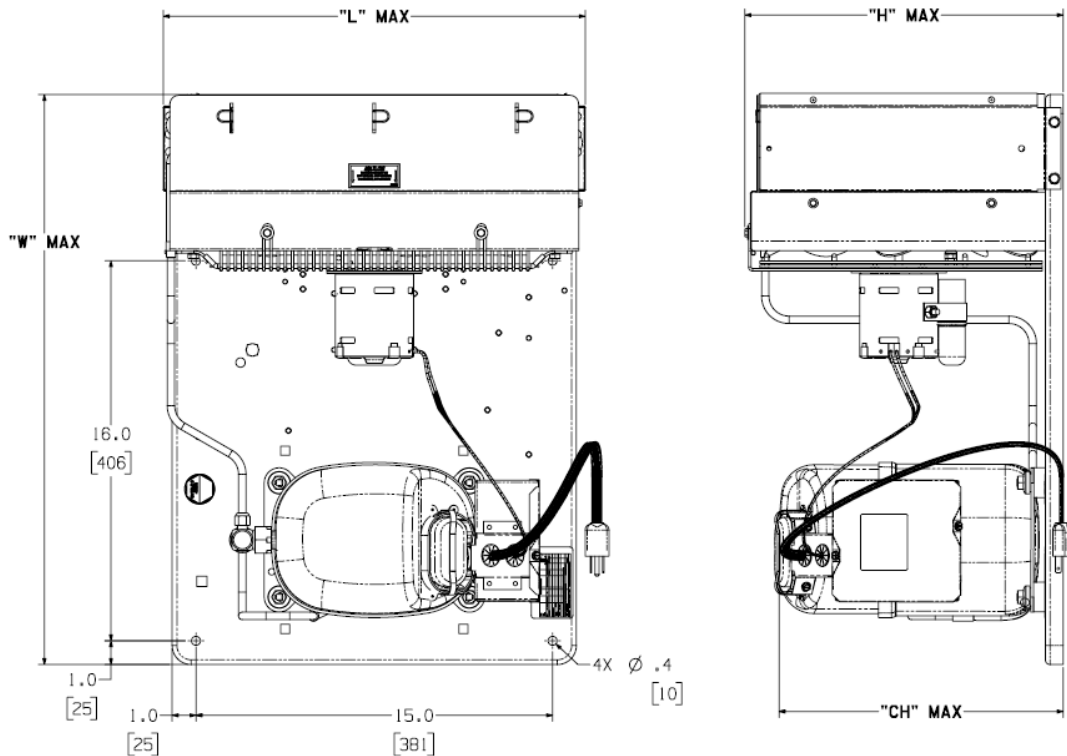
Technical Data Sheet

Model: AJA4512YNAXD

BOM: 2A1201-1

R-134a

1 HP



Model	Dimensions, inches				Line Connection*		Pump down	Air	Oil Ch	Gr. Wt.
	L	W	H	CH	Suction	Liquid	90 °F 90%	CFM	Oz.	Lbs.
AJA4512YNAXD	24.0	17.8	13.4	11.6	1/2" RS	1/4" S	N/A	610	26	98

* F = Flare, S = Solder, RF or RS = Rotolock with Flare or Solder Connections, C = Compression Fitting

Factory charge: 20 PSIG Nitrogen – **MUST BE EVACUATED**

Evaporator T		Ambient Temperatures								
		90°F			100°F			110°F		
°F	PSIG	BTUH	Watts	Cond T	BTUH	Watts	Cond T	BTUH	Watts	Cond T
20	18.4	7250	1190	113.6	6800	1200	119.5	6350	1220	123.3
25	22.1	8200	1270	115.6	7650	1280	121.5	7200	1300	125.2
30	26.0	9100	1340	117.6	8600	1360	122.4	8100	1380	126.9
35	30.3	10100	1430	118.8	9550	1450	123.3	9000	1420	128.7
40	35.0	11100	1510	120.4	10500	1530	125.2	9950	1550	129.8
45	40.0	12200	1600	121.5	11500	1620	126.9	10900	1640	131.1
50	45.3	13300	1690	123.3	12600	1710	128.7	11950	1730	132.1
55	51.1	14500	1780	125.2	13800	1810	130.4	13000	1830	133.8

60 Hz Performance

Return gas temp. 65°F, 5°F sub cooling

Specifications/ Parts:

Unit Model	AJA4512YNAXD
Unit Bill of Material	2A1201-1
Refrigeration Range	20-55 °F
Design Pressure Low	150
Design Pressure High	450
Nominal Volts-Hz-Ph	208-230/60/1
Voltage Range	187 TO 253
Min. Circuit Ampacity	9.6
Max. Fuse Size (amps)	15
Compressor Model	AJA4512YXD
Comp. Bill of Material	AJ137ET-193-J7
Compressor RLA/LRA	7.0 / 41.0
Overload	8300MRTJ79
Relay	8200RVAL99
Run Capacitor	85PR370E36
Start Capacitor	85PS330D76

Fan Motor	810F050C20
Fan Motor RLA	0.70
Fan Blade	51563
Guard	71062
Condenser	50802-6
Receiver Tank	N/A
Liquid Valve	N/A
Suction Valve	31527-2
Power Cord	85295-1
Unit Drawing	DGU1893-93
Wiring Diagram	91266-02
Replacement Kit: RELAY	K71-69
Replacement Kit: O/L	N/A
Replacement Kit: St. CAP	K146-61
Replacement Kit: RUN CAP	K150-03

Electrical Diagram

