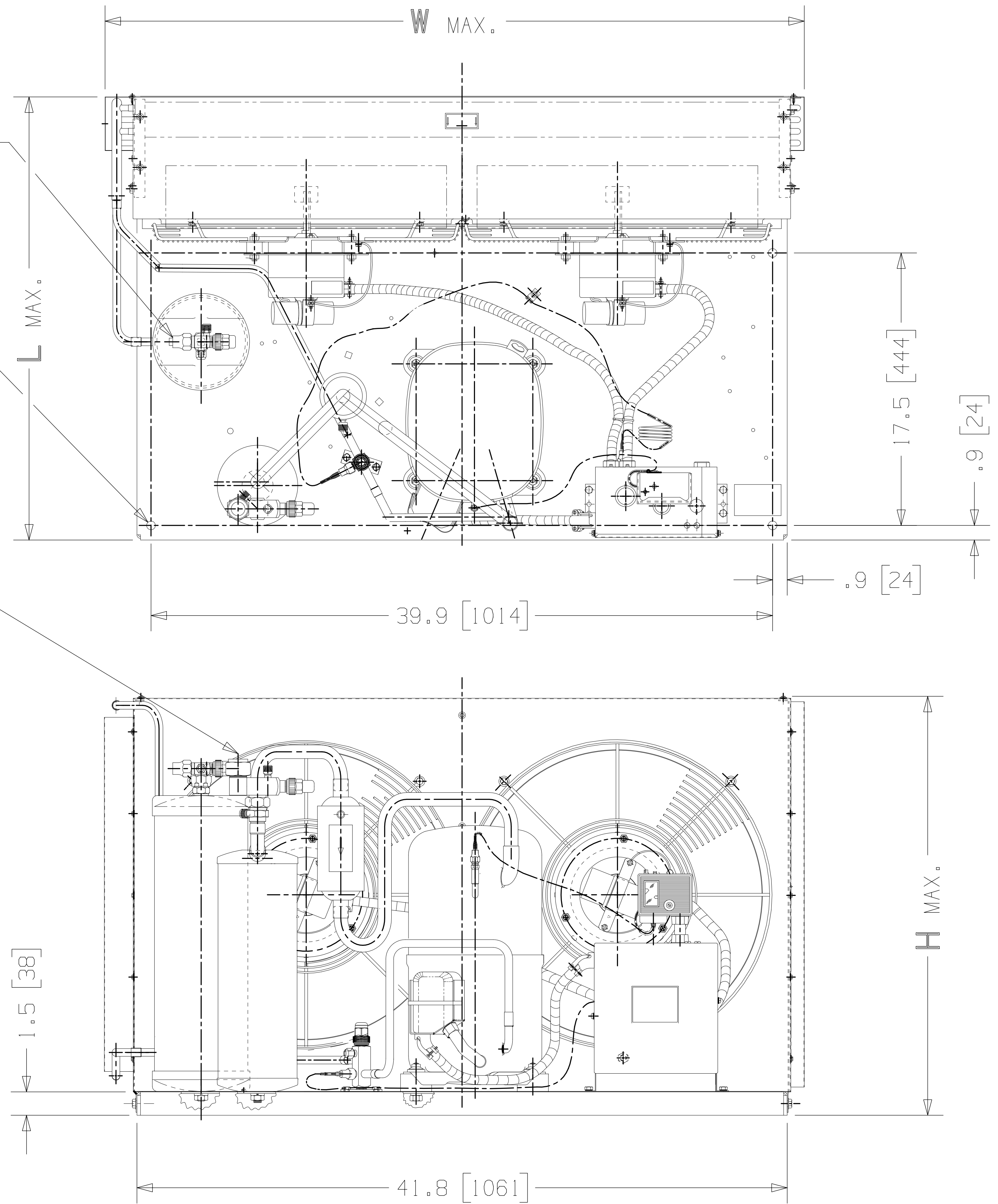


L	W	H
28.8 [731]	44.9 [1140]	26.9 [683]

LIQUID 1/2 S.A.E. STD. FLARE CONN.

Ø .56 [14] (4) MTG. HOLES

SUCTION 7/8 TUBE



NOTE!  
DIMENSIONING = INCHES [MILLIMETERS]

W.N.C. CHANGED DWG. 2/6/80 ON #A1172-002 J.A.C. 12/10/97 S.E. 12/15/97 #232180-001 W.F.M. 11/18/97 #233038A.001 CONTROL P. REMOVED COIL & VIEW A 11/7/95 DELETED B/W 2A5029-3 5A5035-3 2A5029-4 #232180-001 T.M.G. 8/10/95 REPLACE RECEIVER TANK #229864-0 REDWNL & UP-DATED ON CAD		D.I.S. CODE NAME R.Spence 8/11/94 <b>HERMETIC CONDENSING UNIT</b> TECUMSEH, MICHIGAN
MATERIAL NOTED		THIS PRINT SUPERSEDES ALL PRINTS PRIOR TO DRAWING NO. SU1901-7
INTERNAL USE ONLY 01/10/98		O.A. SYMBOLS AG