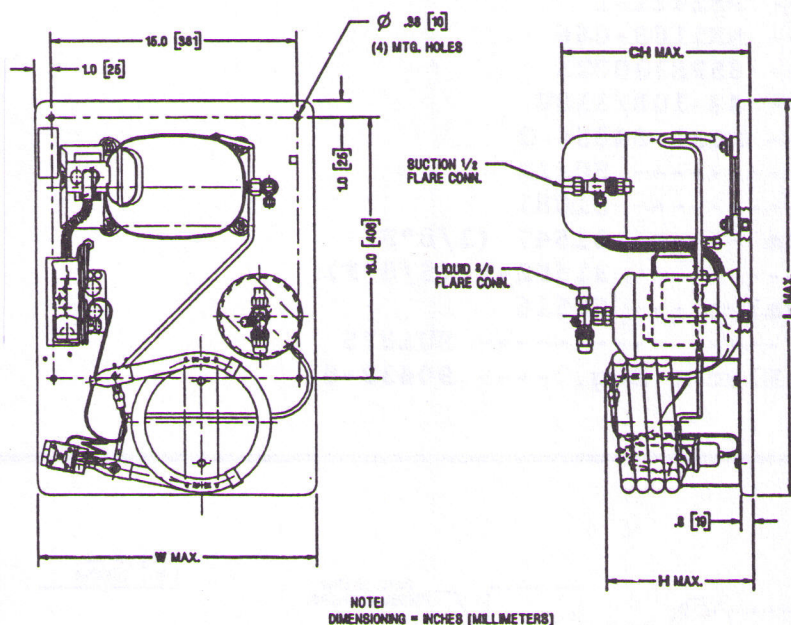




TECUMSEH HERMETIC CONDENSING UNITS

Date: April 1, 1997

MODEL AJB7465AXDXW (Formerly AJ7465BW) R-12 3/4 HP WATER COOLED



Model	Dimensions				*Line Connection		Pumpdown 90° F 90% Full	Air CFM	Oil Chg oz.	Gr. Wt. Lbs.
	L	W	H	CH	Suct.	Liq.				
AJB7465AXDXW	24.0	17.0	9.0	12.0	5/8 F	3/8 F	5.3#	—	22	96

*F=Flare, S=Solder, RF or RS= Rotolock Valve with Flare or Solder Connections Use 3/8" Min Pipe Size
 Factory charge: 20 psig nitrogen - MUST BE EVACUATED 60 HZ Performance Water Valve Inlet 3/8" NPT

Performance: Ambient 90° F-Return Gas 65° F-Condenser Water In 75° F-Head 125 psig

Evaporator Temp, °F	-10	0	+10	+20	+30
BTU/HR	3220	4580	6220	7990	9860
Water Usage - gpm	.23	.42	.61	.82	1.33
Watts	645	773	900	1027	1153

The water valve should be adjusted to maintain a maximum of 95° F water outlet temperature in order to minimize water scaling within the condenser.

SPECIFICATIONS	AJB7465AXDXW
Nominal Voltage -----	230/208-60-1
Unit B/M -----	2A731-9
Voltage Range -----	253 to 187
Min. Circuit Ampacity --	8.8
Max. Fuse Size (Amps) --	15
Compressor Model -----	AJB7465AXD
Bill of Material --	AJ201GT-188
RLA/LRA -----	7.0/46.0
ESP Overload -----	P83512
ESP Relay -----	P82481-1
Int. Rel. Assy. ---	AE1168-066
Start Cap -----	85PS330C23
Rating -----	88-108/330V
Pressure Controls -----	Dual 84056-2
Condenser -----	50812
Receiver Tank -----	51081
Receiver Tank Valve -----	31547 (3/8" F)
Suction Rotolock -----	31552-1 (5/8" F)
Water Regulating Valve ---	56516
Unit Drawing -----	SU1875
Schematic or Elect. Dwg. ----	90432-5

