



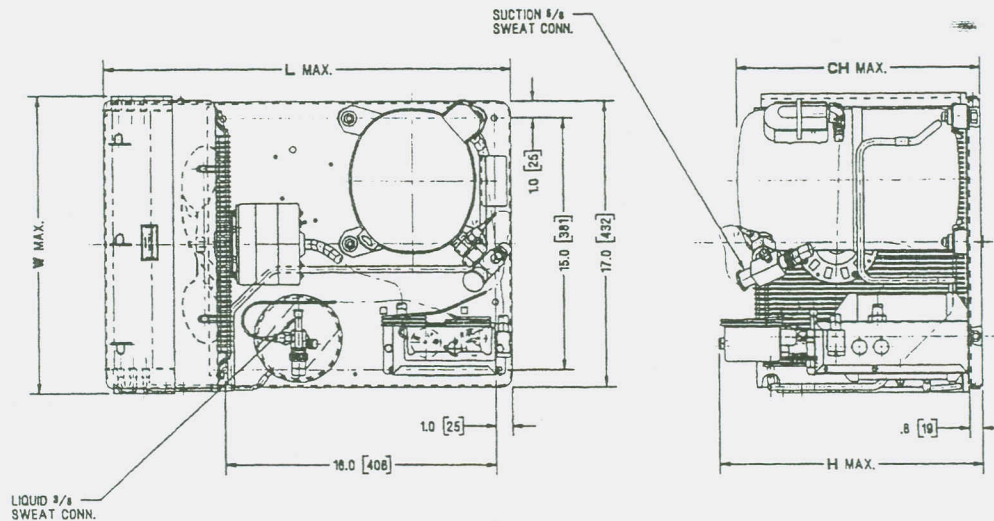
# TECUMSEH HERMETIC CONDENSING UNITS

MODEL AWA2448ZXDXC

R-404A

1 HP

AIR COOLED



NOTE: DIMENSIONING = INCHES [MILLIMETERS]

Model	Dimensions				*Line Connection		Pumpdown 90 ° F 90% Full	Air CFM	Oil Chg oz.	Gr. Wt. Lbs.
	L	W	H	CH	Suct.	Liq.				
AWA2448ZXDXC	24.0	17.8	15.4	14.3	5/8S	3/8S	6.3#	1615	38	119

\*F = Flare, S = Solder, RF or RS = Rotolock Valve with Flare or Solder Connections

Factory charge: 20 psig nitrogen - **MUST BE EVACUATED** 60 HZ PERFORMANCE

Approved Evap. Range		Ambient											
		80° F			90° F			100° F			110° F		
° F	PSIG	BTUH	Watts	Head	BTUH	Watts	Head	BTUH	Watts	Head	BTUH	Watts	Head
-40	4.3	1841	965	88	1388	948	228	871	876	261	455	856	290
-35	6.8	2390	1034	89	1888	1017	232	1358	956	264	901	941	295
-30	9.6	2974	1109	91	2418	1091	237	1862	1040	269	1359	1029	301
-25	12.6	3592	1187	93	2978	1171	243	2384	1128	275	1831	1120	308
-20	16.0	4246	1271	96	3568	1256	250	2922	1219	282	2316	1215	316
-15	19.6	4934	1359	98	4188	1347	259	3478	1314	290	2814	1312	324
-10	23.6	5657	1452	101	4838	1444	269	4051	1413	300	3325	1413	334
-5	27.9	6414	1550	104	5517	1545	280	4641	1515	311	3848	1516	345
0	32.6	7207	1652	107	6227	1653	292	5249	1622	324	4385	1623	356
+5	37.7	8034	1759	110	6966	1765	306	5874	1732	337	4935	1733	368
+10	43.2	8896	1871	114	7736	1883	321	6516	1846	352	5497	1846	382

Return gas temp. 45 ° F, 5 ° F subcooling

SPECIFICATIONS AWA2448ZDXC

Nominal Voltage -----	230/208-60-1	
Unit B/M -----	2B1118-1	
Voltage Range -----	253 to 187	
Min. Circuit Ampacity --	12.0	
Max. Fuse Size (Amps) --	15	
Compressor Model -----	AWA2440ZXD	
Bill of Material --	AW610ET-111	
RLA/LRA -----	8.7/73.0	
Fan RLA -----	1.10	
Overload -----	INTERNAL	
Relay -----	820ARR3J50	
Capacitor Cab. Assy ----	AE1397-031	
Start Capacitor -----	85PS330D17	Run Cap. ----- 85PR370F17
MFD/Voltage -----	145-175/330	MFD/Voltage---- 35/370
Fan Motor -----	810S037B01	
Pressure Control -----	Low 84026-5	
Fan Blade -----	51563	Receiver Tank ----- 51081
Shroud -----	70736-1	Rec. Tank RL Valve --- 31581-1(3/8"S)
Condenser -----	50802-6	Suction Rotolock ---- 31531-1 (5/8"S)
Fan Guard -----	71062	
Unit Drawing -----	SU1918-11	
Schematic or Elect. Dwg. ----	DEAW-1	

