



Tecumseh Compressor Company

Indoor Condensing Units

December 16, 2015
Revision: A

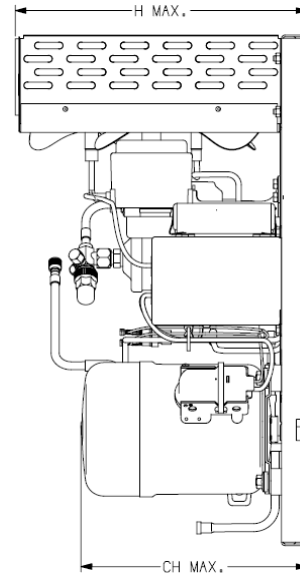
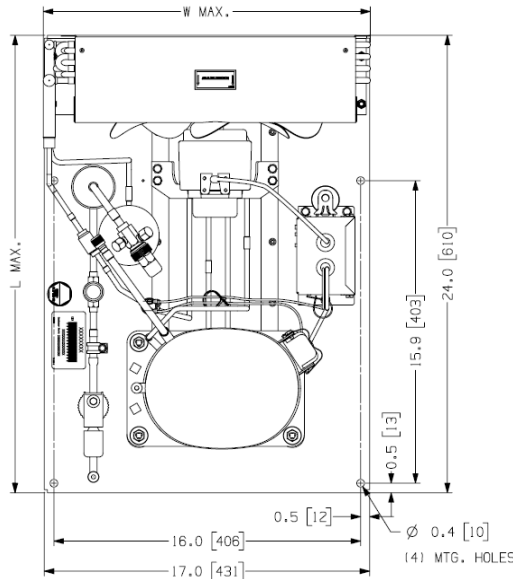
Model: AKA9472ZXDXC

BoM: 2B1180-1

R-404A

0.9 HP

AIRCOOLED



Model	Dimensions, inches				Line Connection*		Pumpdown	Air	Oil Ch	Gr. Wt.
	L	W	H	CH	Suction	Liquid	90 °F 90%	SCFM	Oz.	Lbs.
AKA9472ZXDXC	24.0	17.1	13.6	10.5	3/8" S	3/8" S	3.3 lbs	1200	17.32	---

* F = Flare, S = Solder, RF or RS = Rotolock with Flare or Solder Connections, C = Compression Fitting

Evaporator T		Ambient Temperatures											
		80°F			90°F			100°F			110°F		
°F	PSIG	BTUH	Watts	Cond T	BTUH	Watts	Cond T	BTUH	Watts	Cond T	BTUH	Watts	Cond T
-10	23.6	4100	994	93	3571	997	102	3070	990	111	2553	969	121
-5	28.8	4653	1054	94	4075	1062	103	3526	1060	112	2986	1048	122
0	32.6	5239	1116	95	4616	1129	105	4015	1131	114	3443	1127	123
5	38.6	5856	1179	97	5193	1197	107	4536	1205	115	3926	1208	124
10	43.1	6506	1245	99	5807	1268	109	5090	1281	117	4433	1290	126
15	49.9	7188	1311	101	6457	1340	111	5675	1358	119	4966	1374	127
20	55.3	7902	1380	103	7144	1414	113	6293	1438	121	5524	1459	129
25	63.0	8648	1450	106	7868	1490	115	6944	1520	124	6107	1545	132
30	69.3	9427	1522	108	8628	1567	117	7627	1604	126	6715	1633	134
35	78.1	10237	1595	111	9424	1647	120	8342	1689	129	7349	1723	136
40	85.4	11080	1670	114	10258	1728	122	9089	1777	131	8007	1813	139
45	95.2	11955	1747	117	11128	1811	125	9869	1867	134	8691	1905	142

60 Hz Performance

Return gas temp. 40°F Evaporator Temp. 20°F or less, 5°F sub-cooling
Return gas temp. 65°F for Evaporator Temp. > 20°F, 5°F sub-cooling

Specifications/ Parts:

Model	AKA9472ZDXC
Unit Bill of Material	2B1180-1
Nominal Volts-Hz-Ph	208-230-60-1
Refrigeration Range	-10° to 45°F
Design Pressure Low	181
Design Pressure High	450
Voltage Range	180 to 254
Min. Circuit Ampacity	9.3
Max. Fuse Size (amps)	15
Compressor Model	AKA9462ZXD
Comp. Bill of Material	AK172ET-037-P2
Compressor RLA/LRA	6.8 / 34
Overload	8300MRAG33
Relay	8200RVAL99
Run Capacitor	85PR370E36
Run Capacitor Rating	15MFD 370V(M) VDE
Start Capacitor	85685
Start Capacitor Rating	72-88 MFD 3300V VDE
Contactors	N/A
Unit Drawing	SU1909-123
Wiring Diagram	90657-15

Fan Motor	810-10090
Fan Motor RLA	0.75 Each
Fan Blade	515-10021
Fan Bracket	57144
Fan Shroud	707-10009
High Pressure Control	84095-6
Condenser	506-10073
Receiver Tank with Valve	51080-1
Liquid Filter	70081
Sight Glass	70084
Suction Valve	N/A
Rotolock Valve Gasket	N/A
Check Valve	14948303
Suction Filter *	N/A
Accumulator *	N/A
Crankcase Heater	N/A
Defrost Timer *	N/A
Solenoid Valve	56633
* = Equipped Units Only	

Electrical Diagram

