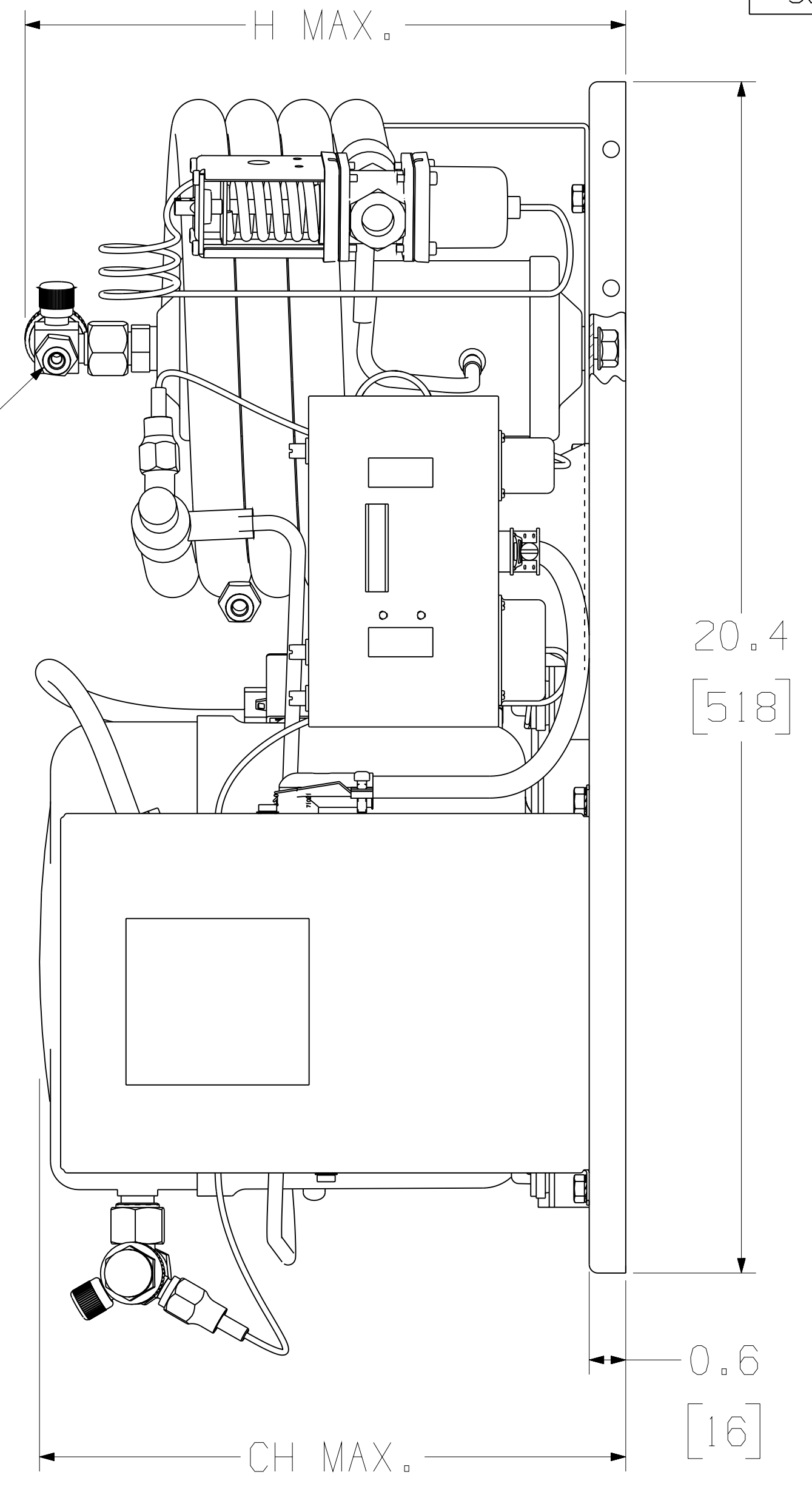


1/4 FLARE CONNECTION

12.5 [318]

Ø 0.4 [10]
(4) MTG. HOLES



L	W	H	CH
20.4 [518]	13.9 [354]	10.3 [261]	10.0 [255]

NOTE!
DIMENSIONING = INCHES [MILLIMETERS]

3D,VNX6

O.A. SYMBOLS

- ★ = CATEGORY I
- ▲ = CATEGORY II
- = CATEGORY III
- = CATEGORY IV

AK

BANNER

F		EC33812 REDRAWN IN 3D NO CHANGE	TS 04AUG10	G		H		I		J		K		L		M		N		O		P		Q		R		S		T		U		V		W		X		Y		Z		AA		AB		AC		AD		AE		AF		AG		AH		AI		AJ		AK		AL		AM		AN		AO		AP		AQ		AR		AS		AT		AU		AV		AW		AX		AY		AZ		BA		BB		BC		BD		BE		BF		BG		BH		BI		BJ		BK		BL		BM		BN		BO		BP		BQ		BR		BS		BT		BU		BV		BW		BX		BY		BZ		CA		CB		CC		CD		CE		CF		CG		CH		CI		CJ		CK		CL		CM		CN		CO		CP		CQ		CR		CS		CT		CU		CV		CW		CX		CY		CZ		DA		DB		DC		DD		DE		DF		DG		DH		DI		DJ		DK		DL		DM		DN		DO		DP		DQ		DR		DS		DT		DU		DV		DW		DX		DY		DZ		EA		EB		EC		ED		EE		EF		EG		EH		EI		EJ		EK		EL		EM		EN		EO		EP		EQ		ER		ES		ET		EU		EV		EW		EX		EY		EZ		FA		FB		FC		FD		FE		FF		FG		FH		FI		FJ		FK		FL		FM		FN		FO		FP		FQ		FR		FS		FT		FU		FV		FW		FX		FY		FZ		GA		GB		GC		GD		GE		GF		GG		GH		GI		GJ		GK		GL		GM		GN		GO		GP		GQ		GR		GS		GT		GU		GV		GW		GX		GY		GZ		HA		HB		HC		HD		HE		HF		HG		HH		HI		HJ		HK		HL		HM		HN		HO		HP		HQ		HR		HS		HT		HU		HV		HW		HX		HY		HZ		IA		IB		IC		ID		IE		IF		IG		IH		II		IJ		IK		IL		IM		IN		IO		IP		IQ		IR		IS		IT		IU		IV		IW		IX		IY		IZ		JA		JB		JC		JD		JE		JF		JG		JH		JI		JJ		JK		JL		JM		JN		JO		JP		JQ		JR		JS		JT		JU		JV		JW		JX		JY		JZ		KA		KB		KC		KD		KE		KF		KG		KH		KI		KJ		KK		KL		KM		KN		KO		KP		KQ		KR		KS		KT		KU		KV		KW		KX		KY		KZ		LA		LB		LC		LD		LE		LF		LG		LH		LI		LJ		LK		LL		LM		LN		LO		LP		LQ		LR		LS		LT		LU		LV		LW		LX		LY		LZ		MA		MB		MC		MD		ME		MF		MG		MH		MI		MJ		MK		ML		MN		MO		MP		MQ		MR		MS		MT		MU		MV		MW		MX		MY		MZ		NA		NB		NC		ND		NE		NF		NG		NH		NI		NJ		NK		NL		NM		NO		NP		NQ		NR		NS		NT		NU		NV		NW		NX		NY		NZ		OA		OB		OC		OD		OE		OF		OG		OH		OI		OJ		OK		OL		OM		ON		OO		OP		OQ		OR		OS		OT		OU		OV		OW		OX		OY		OZ		PA		PB		PC		PD		PE		PF		PG		PH		PI		PJ		PK		PL		PM		PN		PO		PP		PQ		PR		PS		PT		PU		PV		PW		PX		PY		PZ		QA		QB		QC		QD		QE		QF		QG		QH		QI		QJ		QK		QL		QM		QN		QO		QP		QQ		QR		QS		QT		QU		QV		QW		QX		QY		QZ		RA		RB		RC		RD		RE		RF		RG		RH		RI		RJ		RK		RL		RM		RN		RO		RP		RQ		RR		RS		RT		RU		RV		RW		RX		RY		RZ		SA		SB		SC		SD		SE		SF		SG		SH		SI		SJ		SK		SL		SM		SN		SO		SP		SQ		SR		SS		ST		SU		SV		SW		SX		SY		SZ		TA		TB		TC		TD		TE		TF		TG		TH		TI		TJ		TK		TL		TM		TN		TO		TP		TQ		TR		TS		TT		TU		TV		TW		TX		TY		TZ		UA		UB		UC		UD		UE		UF		UG		UH		UI		UJ		UK		UL		UM		UN		UO		UP		UQ		UR		US		UT		UU		UV		UW		UX		UY		UZ		VA		VB		VC		VD		VE		VF		VG		VH		VI		VJ		VK		VL		VM		VN		VO		VP		VQ		VR		VS		VT		VU		VV		VW		VX		VY		VZ		WA		WB		WC		WD		WE		WF		WG		WH		WI		WJ		WK		WL		WM		WN		WO		WP		WQ		WR		WS		WT		WU		WV		WW		WX		WY		WZ		XA		XB		XC		XD		XE		XF		XG		XH		XI		XJ		XK		XL		XM		XN		XO		XP		XQ		XR		XS		XT		XU		XV		XW		XX		XY		XZ		YA		YB		YC		YD		YE		YF		YG		YH		YI		YJ		YK		YL		YM		YN		YO		YP		YQ		YR		YS		YT		YU		YV		YW		YX		YZ		ZA		ZB		ZC		ZD		ZE		ZF		ZG		ZH		ZI		ZJ		ZK		ZL		ZM		ZN		ZO		ZP		ZQ		ZR		ZS		ZT		ZU		ZV		ZW		ZX		ZY		ZZ	
A		EC33812 REMOVED COMP. CODE PLATE	W.E.M. 30MAR95	B		C		D		E		F		G		H		I		J		K		L		M		N		O		P		Q		R		S		T		U		V		W		X		Y		Z		AA		AB		AC		AD		AE		AF		AG		AH		AI		AJ		AK		AL		AM		AN		AO		AP		AQ		AR		AS		AT		AU		AV		AW		AX		AY		AZ		BA		BB		BC		BD		BE		BF		BG		BH		BI		BJ		BK		BL		BM		BN		BO		BP		BQ		BR		BS		BT		BU		BV		BW		BX		BY		BZ		CA		CB		CC		CD		CE		CF		CG		CH		CI		CJ		CK		CL		CM		CN		CO		CP		CQ		CR		CS		CT		CU		CV		CW		CX		CY		CZ		DA		DB		DC		DD		DE		DF		DG		DH		DI		DJ		DK		DL		DM		DN		DO		DP		DQ		DR		DS		DT		DU		DV		DW		DX		DY		DZ		EA		EB		EC		ED		EE		EF		EG		EH		EI		EJ		EK		EL		EM		EN		EO		EP		EQ		ER		ES		ET		EU		EV		EW		EX		EY		EZ		FA		FB		FC		FD		FE		FF		FG		FH		FI		FJ		FK		FL		FM		FN		FO		FP		FQ		FR		FS		FT		FU		FV		FW		FX		FY		FZ		GA		GB		GC		GD		GE		GF		GG		GH		GI		GJ		GK		GL		GM		GN		GO		GP		GQ		GR		GS		GT		GU		GV		GW		GX		GY		GZ		HA		HB		HC		HD		HE		HF		HG		HH		HI		HJ		HK		HL		HM		HN		HO		HP		HQ		HR		HS		HT		HU		HV		HW		HX		HY		HZ		IA		IB		IC		ID		IE		IF		IG		IH		II		IJ		IK		IL		IM		IN		IO		IP		IQ		IR		IS		IT		IU		IV		IW		IX		IY		IZ		JA		JB		JC		JD		JE		JF		JG		JH		JI		JJ		JK		JL		JM		JN		JO		JP		JQ		JR		JS		JT		JU		JV		JW		JX		JY		JZ		KA		KB		KC		KD		KE		KF		KG		KH		KI		KJ		KL		KM		KN		KO		KP		KQ		KR		KS		KT		KU		KV		KW		KX		KY		KZ		LA		LB		LC		LD		LE		LF		LG		LH		LI		LJ		LK		LM		LN		LO		LP		LQ		LR		LS		LT		LU		LV		LW		LX		LY		LZ		MA		MB		MC		MD		ME		MF		MG		MH		MI		MJ		MK		ML		MN		MO		MP		MQ		MR		MS		MT		MU		MV		MW		MX		MY		MZ		NA		NB		NC		ND		NE		NF		NG		NH		NI		NJ		NK		NL		NM		NO		NP		NQ		NR		NS		NT		NU		NV		NW		NX		NY		NZ		OA		OB		OC		OD		OE		OF		OG		OH		OI		OJ		OK		OL		OM		ON		OO		OP		OQ		OR		OS		OT		OU		OV		OW		OX		OY		OZ		PA		PB		PC		PD		PE		PF		PG		PH		PI		PJ		PK		PL		PM		PN		PO		PP		PQ		PR		PS		PT		PU		PV		PW		PX																																																																																																																																																																																																																																																																																																																																																																																																																																																																																																																																					