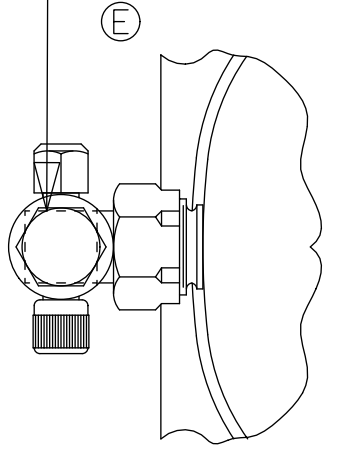


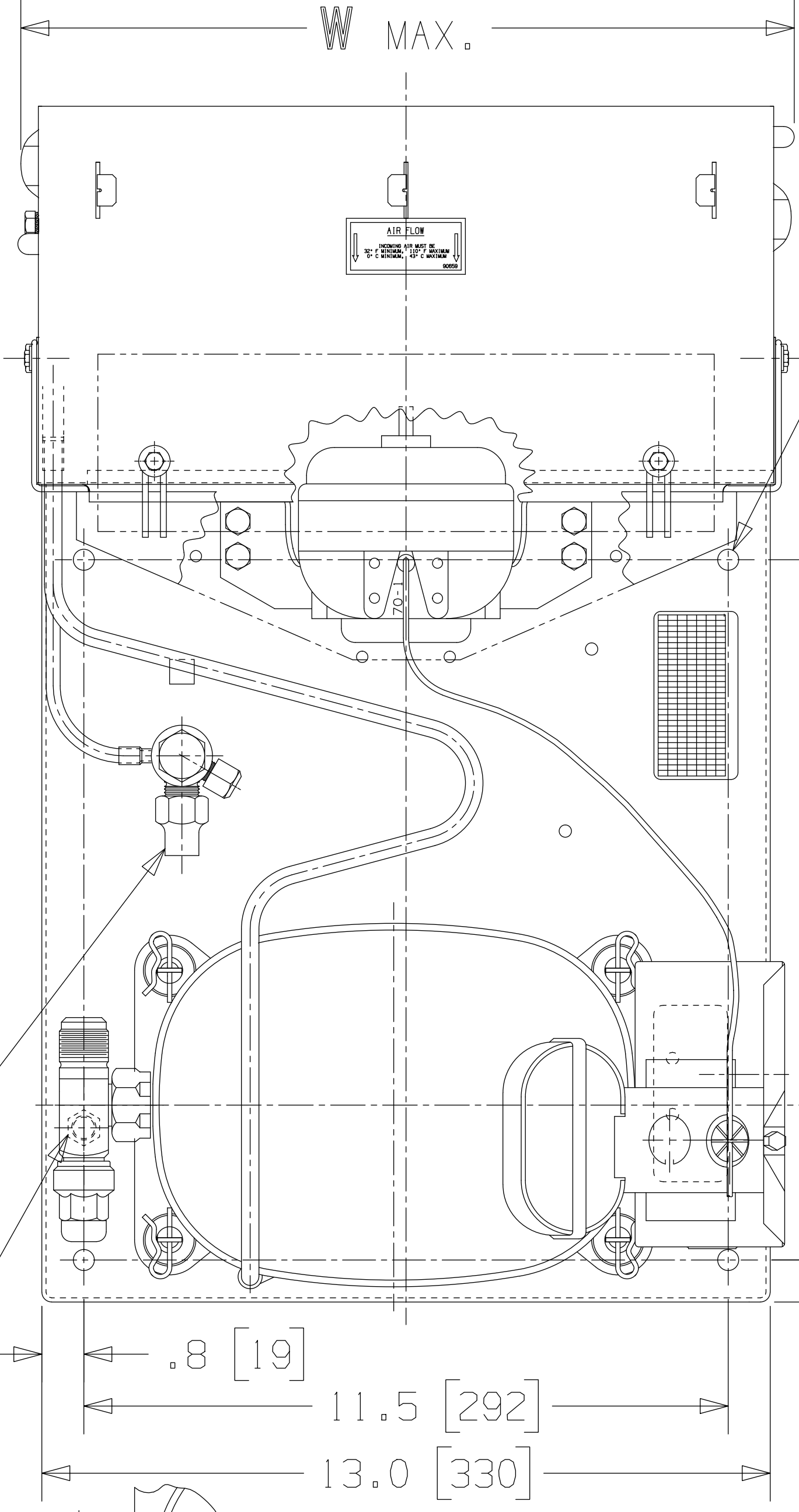
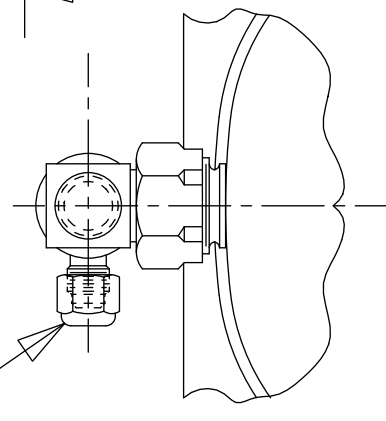
SUCTION 1/2 FLARE CONN.



LIQUID 3/8 FLARE CONN.

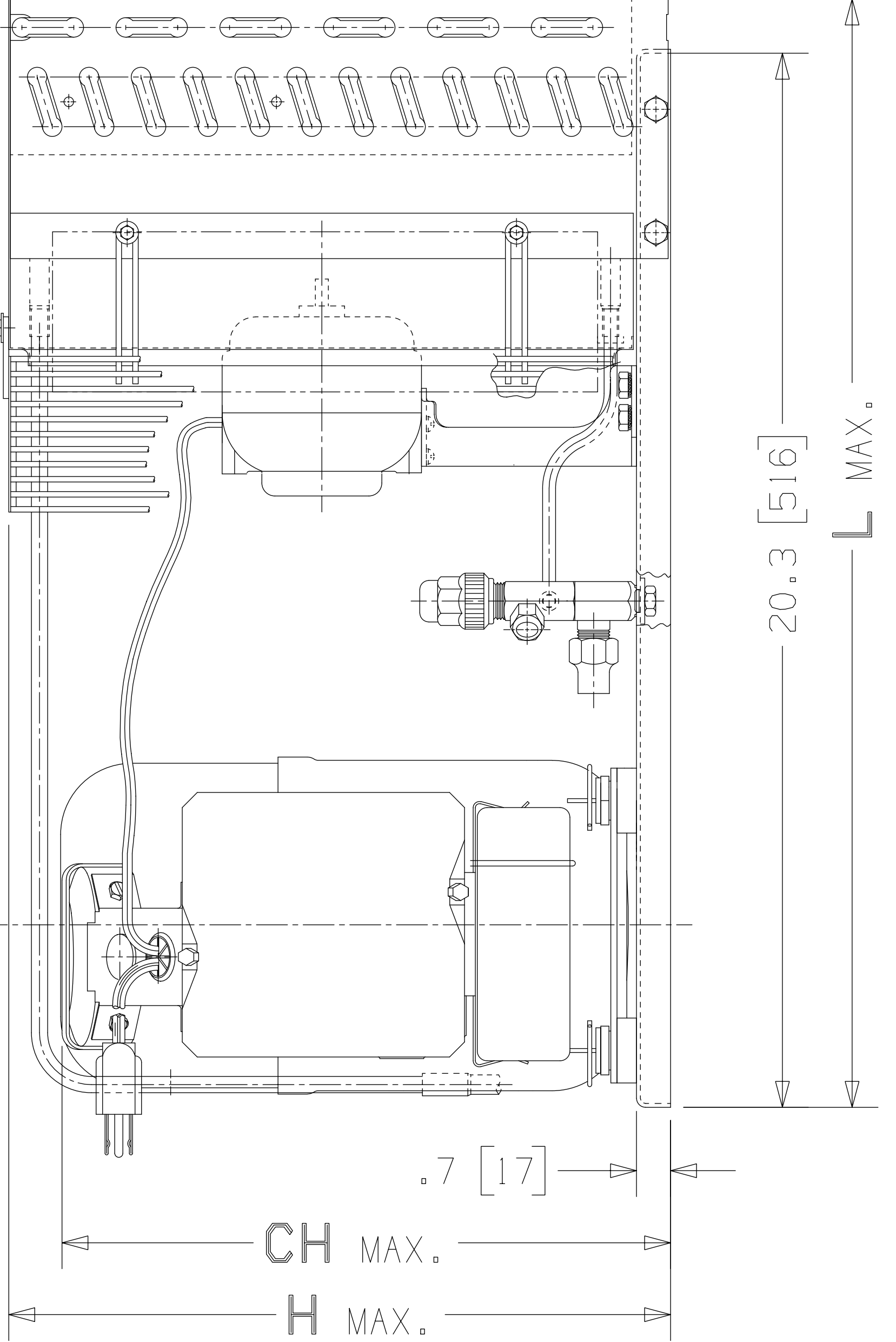
SUCTION 5/8 FLARE CONN.

SUCTION 1/2 SWEAT CONN.



Ø .38 [10]
(4) MTG. HOLES

L	W	H	CH
21.4 [544]	13.9 [354]	12.9 [327]	11.6 [294]



NOTE!
DIMENSIONING = INCHES [MILLIMETERS]

V16
Q.A. SYMBOLS

- ★ = CATEGORY I
- ▲ = CATEGORY II
- = CATEGORY III
- = CATEGORY IV

LT	LC	CHANGE	DATE
E	-	ADDED ALTERNATE VIEWS	4/1/98
D	-	REVISED TO MATCH DGU	09MAY01
C	-	REVISED TO MATCH DGU	5/29/98
B	-	REVISED TO MATCH DGU	4/1/98
A	-	ADDED ALTERNATE SUCTION VALVE	11/26/98

DIS. CODE	SU	NAME	HERMETIC CONDENSING UNIT
DWN.	R.M.D.	CK	W
	1-2-95		
MATERIAL			NOTED
TECUMSEH PRODUCTS CO. TECUMSEH, MICHIGAN			DRAWING NO. SU1758-64

THIS PRINT SUPERSEDES ALL PRINTS PRIOR TO

DRAWING NO. SU1758-64