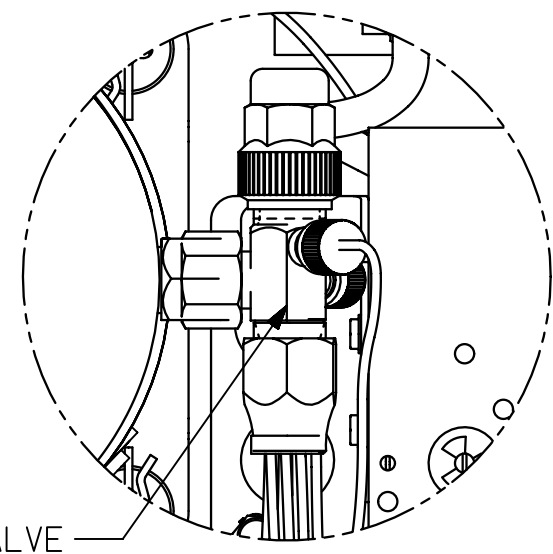


31547-8 ROTOLock VALVE
2149 FLARE NUT 3/8
3297 FLARE SEAL BONNET 3/8

ALTERNATE A



31579-1 ROTOLock VALVE
3231 FLARE NUT 1/2
3298 FLARE SEAL BONNET 1/2

ALTERNATE B

NOTE!
DIMENSIONING = INCHES [MILLIMETERS]

L	W	H	CH
24.3 [617]	18.0 [457]	14.0 [357]	10.2 [259]

3D, VNX8

ENGLISH

Q.A. SYMBOLS

- ★ = CATEGORY I
- ▲ = CATEGORY II
- = CATEGORY III
- AK = CATEGORY IV

A	TS	15APR15	DATE	THIS DRAWING OR PRINT IS THE PROPERTY OF TECUMSEH PRODUCTS COMPANY AND IS NOT TO BE REPRODUCED OR TRANSMITTED IN ANY FORM OR BY ANY MEANS, ELECTRONIC OR MECHANICAL, INCLUDING PHOTOCOPYING, RECORDING, OR BY ANY INFORMATION STORAGE AND RETRIEVAL SYSTEM, WITHOUT THE WRITTEN PERMISSION OF TECUMSEH PRODUCTS COMPANY. ANY UNAUTHORIZED REPRODUCTION OR TRANSMISSION OF THIS DRAWING OR PRINT IS STRICTLY PROHIBITED. THE INFORMATION CONTAINED HEREIN IS UNCLASSIFIED EXCEPT WHERE SHOWN OTHERWISE. ANY INFORMATION CONTAINED HEREIN IS UNCLASSIFIED EXCEPT WHERE SHOWN OTHERWISE. ANY INFORMATION CONTAINED HEREIN IS UNCLASSIFIED EXCEPT WHERE SHOWN OTHERWISE.	DIS.CODE	NAME	HERMETIC CONDENSING UNIT	SCALE	1"=3"	THIS PRINT SUPERSEDES ALL PRINTS PRIOR TO
	EC63684	REPLACED VALVE	EC42748		LT	LT	EC42748	ANN ARBOR, MICHIGAN	MATERIAL	NOTED