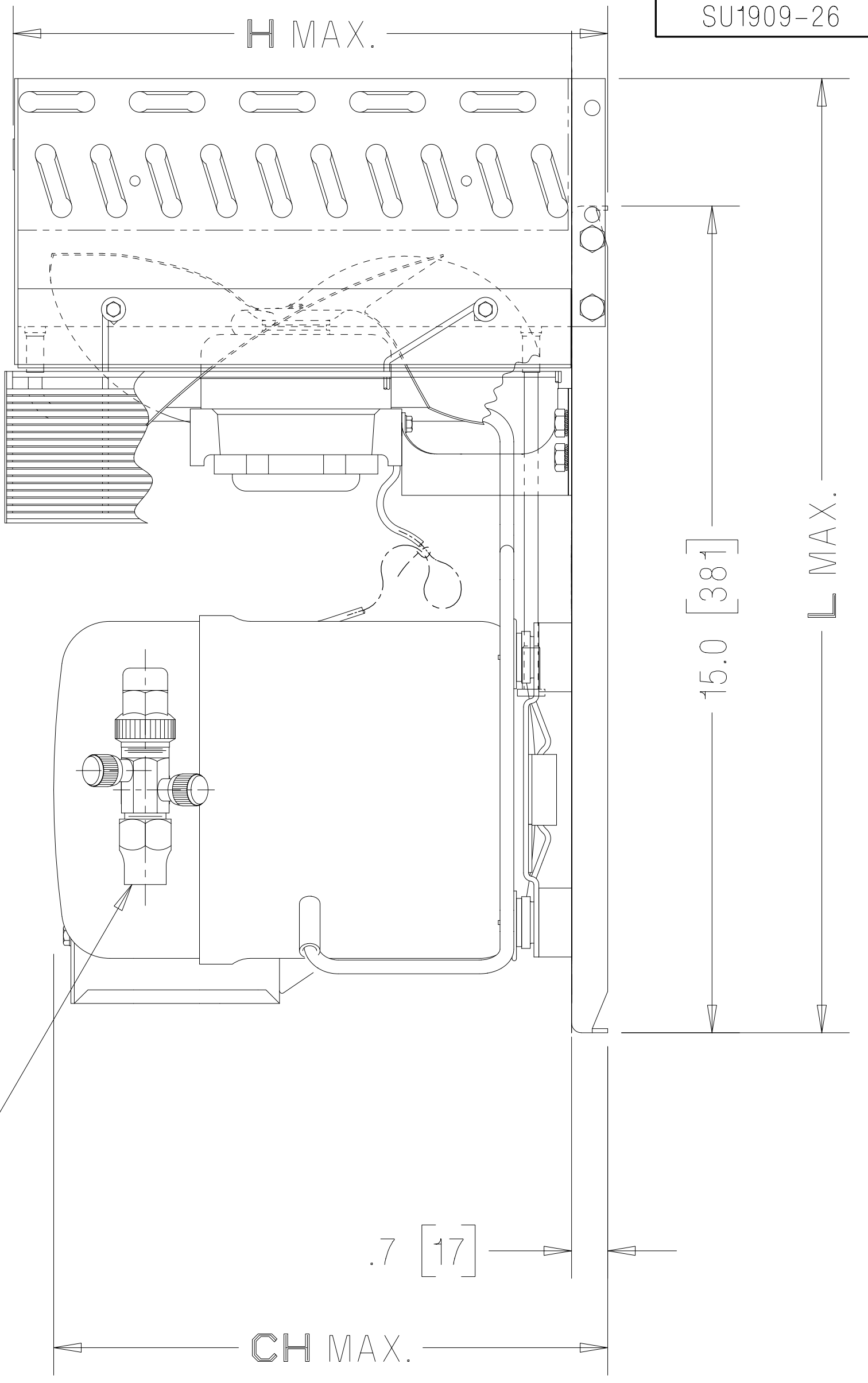
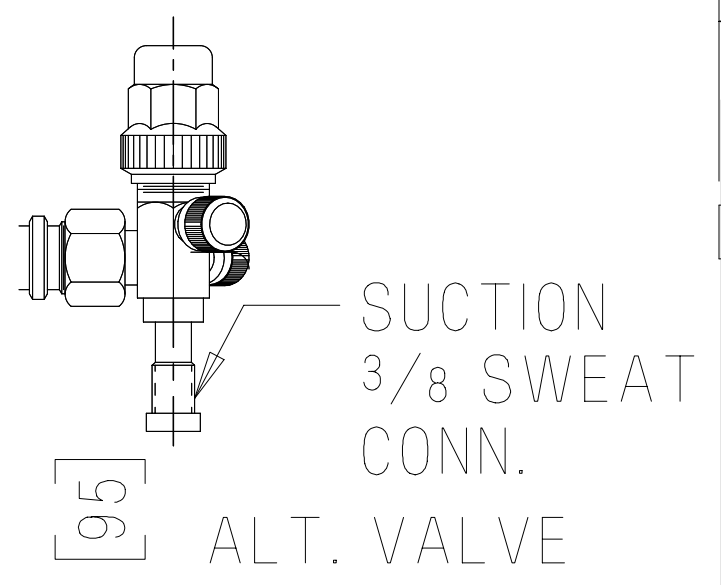
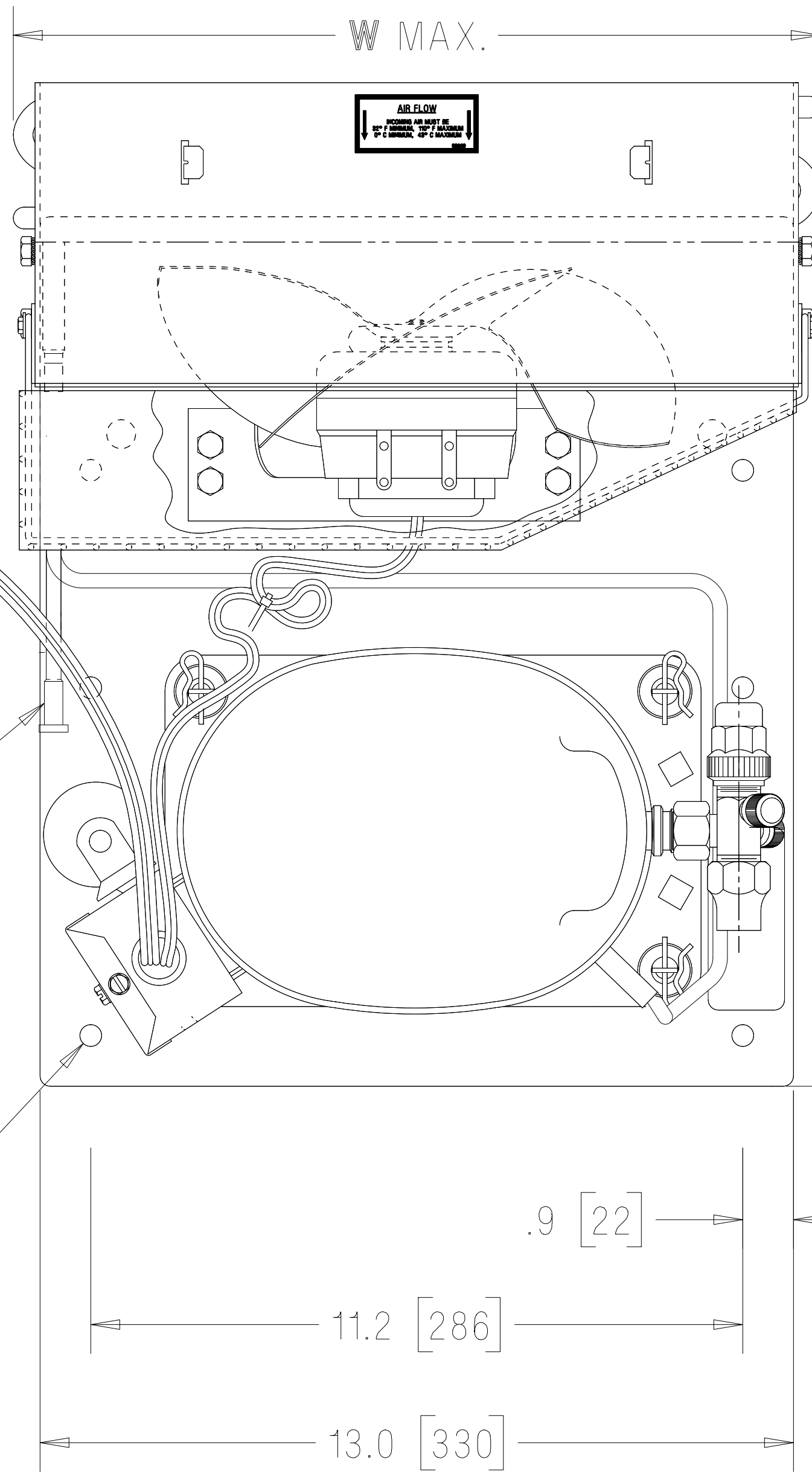


PART NO.
SU1909-26

CORD PER B/M
TERMINATIONS
VARY.

LIQUID 1/4
SWEAT CONN.

Ø .38 [10]
(6) MTG. HOLES



SUCTION 1/2
FLARE CONN.
(SEE ABOVE FOR
ALTERNATE)

NOTE!
DIMENSIONING = INCHES [MILLIMETERS]

L	W	H	CH
17.4 [443]	14.0 [355]	10.9 [277]	10.1 [257]

REV.	DATE	DESCRIPTION
N	01/NOV/04	#243098-001 AMIT CHANGED TO MATCH DGU
M	02/AUG/04	#243098-001 KALYAN SEPARATING DGU & SU DRAWINGS
K	04/APR	#235434-002 IDENTIFIED ALT. VALVE & ITS CONNECTION
J	03/26/97	ADDED: (SEE ABOVE FOR ALT.) CORRECTED LOCATION OF BASE MTG. HOLE □'s & DIM'S.
H	03/26/97	REMOVED CHG. LETTER Ⓢ
G	08/F	ADDED TO CORD NOTE
F	05/JEL	#231863-005 REMOVED CAPTOR CLIP
E	04/12/96	#233997-001 N.L.C. VIEW "C"
D	09/3-11-96	ADDED ALT. VIEW "C"
C	09/3-27-95	REMOVED COMP. CODE PLATE
B	04/3-1-94	CHG'D. CORD ACCESS TO BE HELD BY THE RATHER THAN BY CLIP
A	04/1-11-94	REMOVED REVISED DISCH. TUBE

DIS. CODE	NAME	HERMETIC CONDENSING UNIT
W. MURPHY	CK	3/29/93
MATERIAL		NOTED
PART NO.		SU1909-26

Q.A. SYMBOLS

AK

THIS PRINT SUPERSEDES ALL PRINTS PRIOR TO

TECUMSEH PRODUCTS CO.
TECUMSEH, MICHIGAN