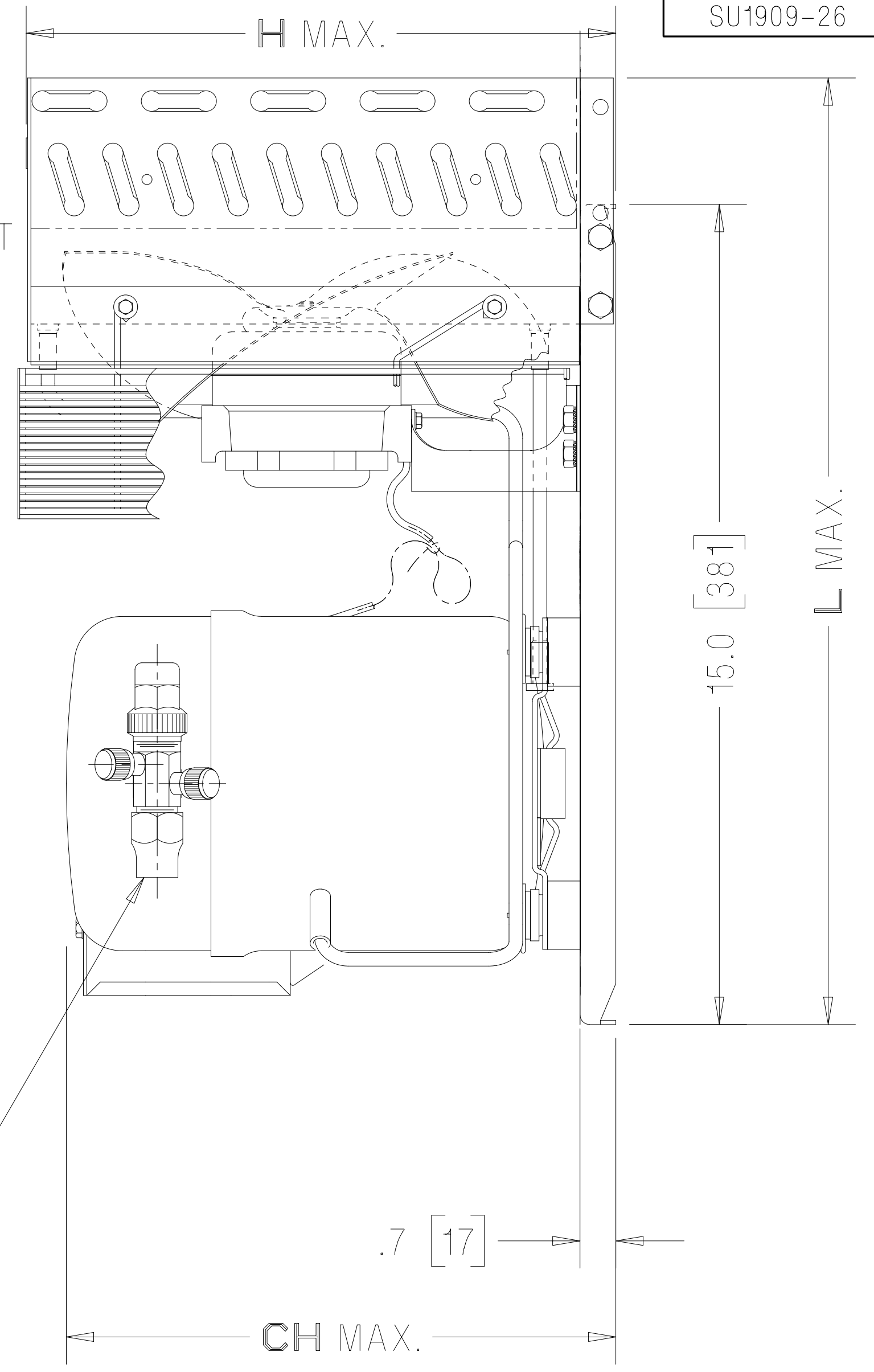
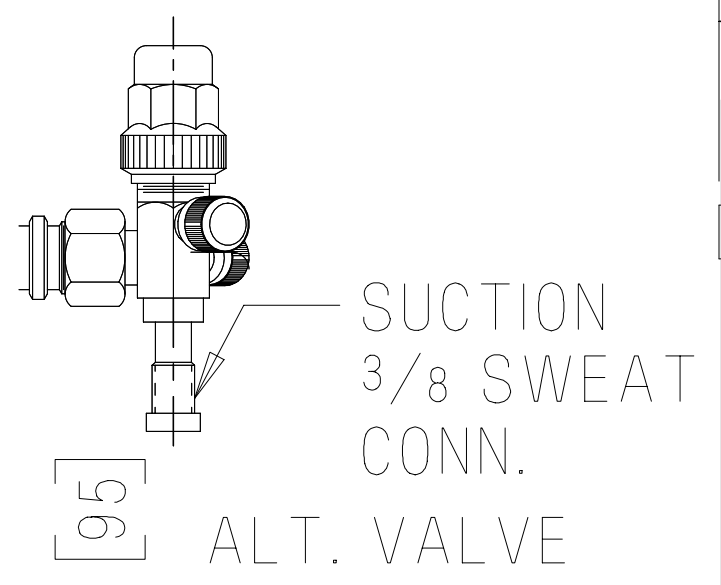
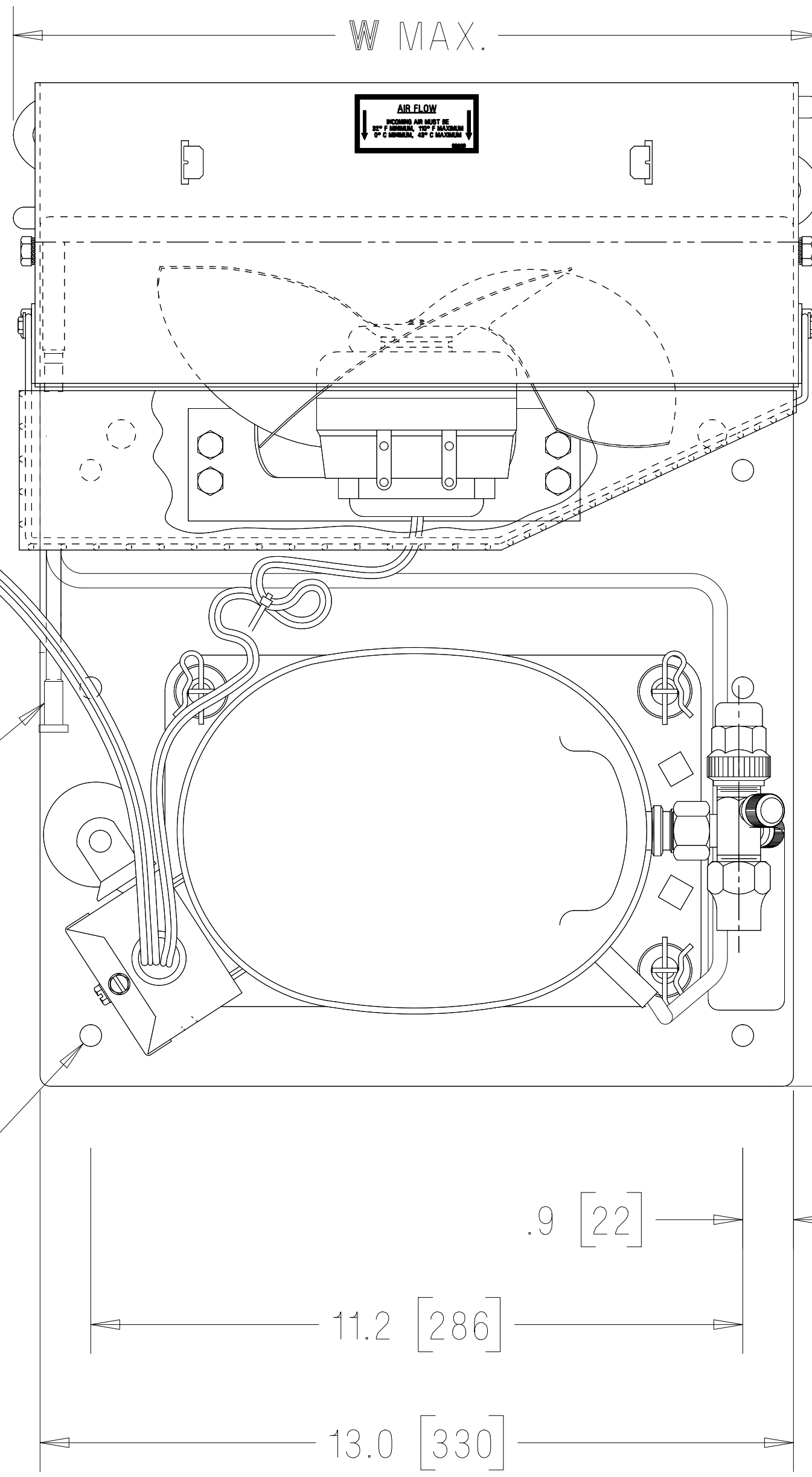


PART NO.  
SU1909-26

CORD PER B/M  
TERMINATIONS  
VARY.

LIQUID 1/4  
SWEAT CONN.

Ø .38 [10]  
(6) MTG. HOLES



SUCTION 1/2  
FLARE CONN.  
(SEE ABOVE FOR  
ALTERNATE)

NOTE!  
DIMENSIONING = INCHES [MILLIMETERS]

L	W	H	CH
17.4 [443]	14.0 [355]	10.9 [277]	10.1 [257]

REV.	DATE	DESCRIPTION
N	01/NOV/04	#243098-001 AMIT CHANGED TO MATCH DGU
M	02/AUG/04	#243098-001 KALYAN SEPARATING DGU & SU DRAWINGS
CK		
K		#235434-002 IDENTIFIED ALT. VALVE & ITS CONNECTION
J		ADDED: (SEE ABOVE FOR ALT.)
H	3/26/97	W.E.M. CORRECTED LOCATION OF BASE MTG. HOLE □'s & DIM'S.
G		REMOVED CHG. LETTER Ⓟ
F		ADDED TO CORD NOTE
E	12/4/96	#231863-005 JEL REMOVED CAPTOR CLIP
D	3-11-96	#233997-001 N.L.C. ADDED ALT. VIEW "C"
C	3-27-95	W.E.M. REMOVED COMP. CODE PLATE
B	3-1-94	W.E.M. CHG'D. CORD ACCESS TO BE HELD BY THE RATHER THAN BY CLIP
A	1-11-94	W.E.M. REVISED DISCH. TUBE

DIS. CODE	NAME	HERMETIC CONDENSING UNIT
OWN.	W. MURPHY	
DATE	3/29/93	
MATERIAL	NOTED	
PART NO.	SU1909-26	

Q.A. SYMBOLS

AK

THIS PRINT SUPERSEDES ALL PRINTS PRIOR TO

**TECUMSEH PRODUCTS CO.**  
TECUMSEH, MICHIGAN