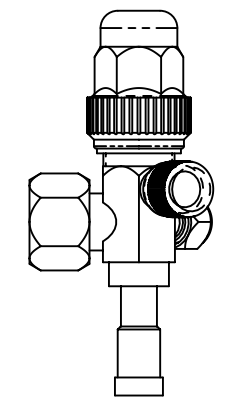
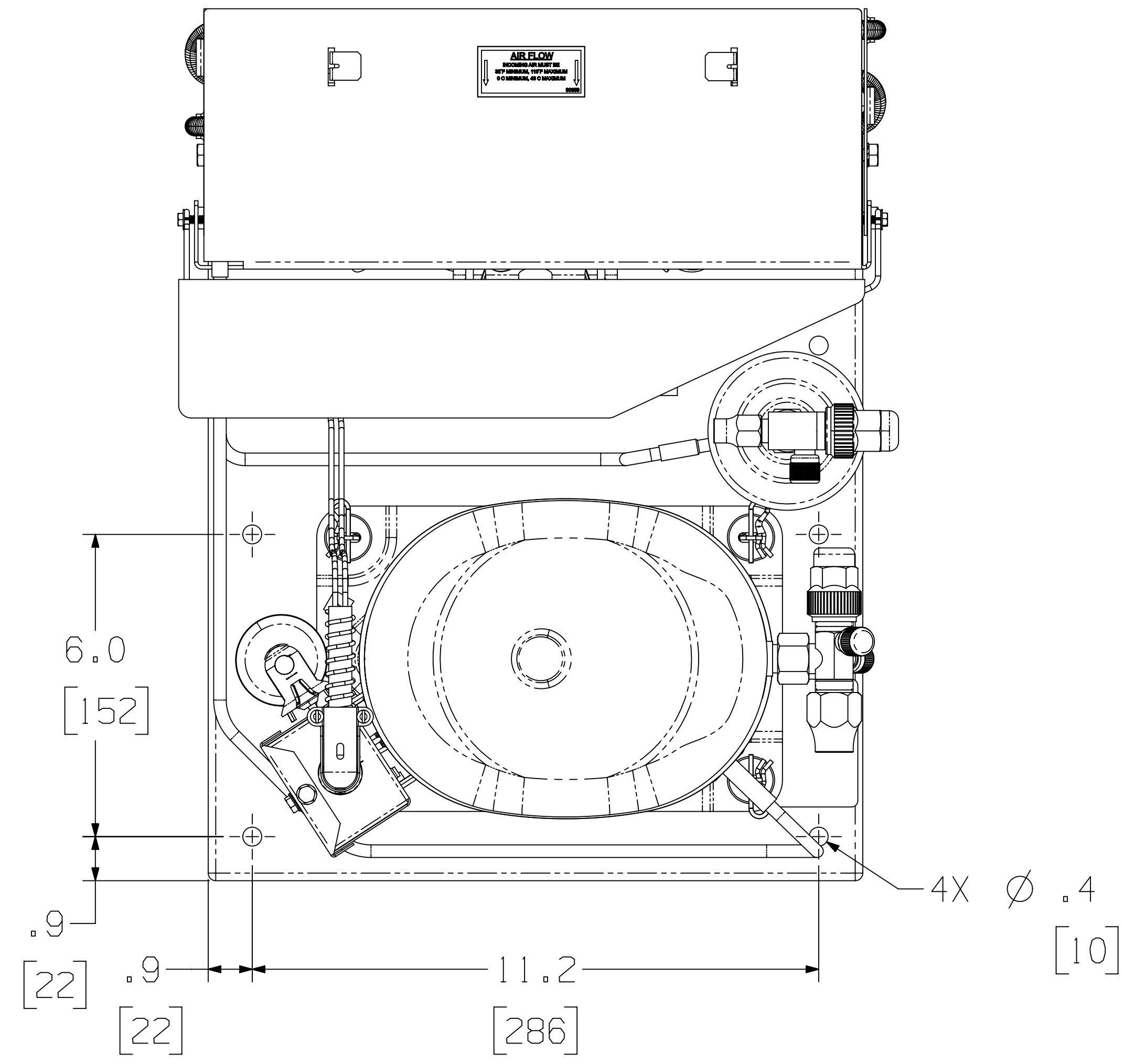
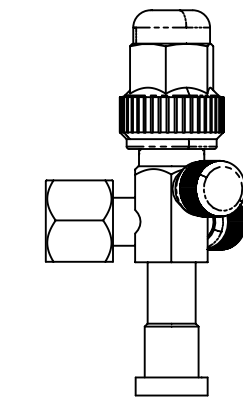


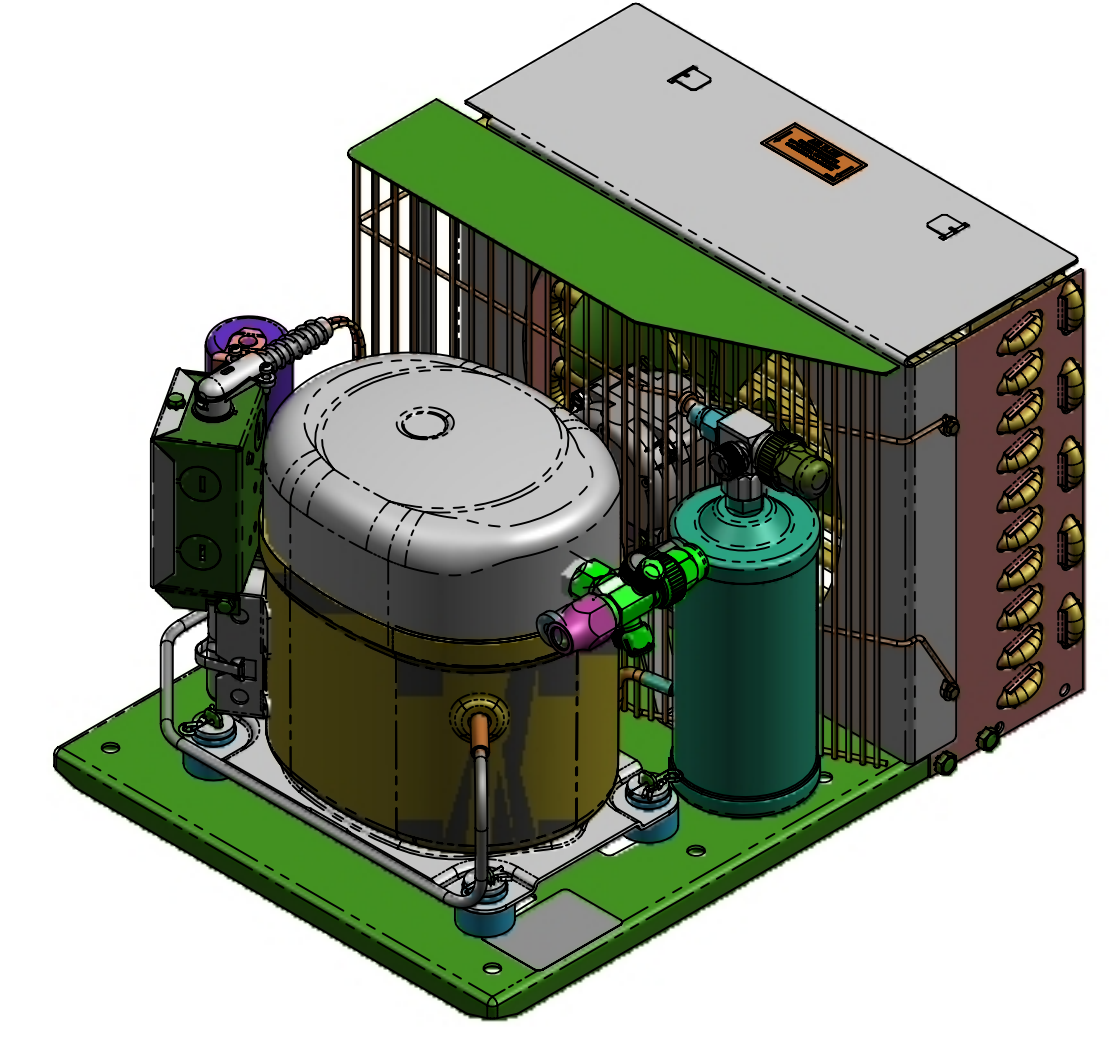
31589
ROTO LOCK VALVE
1/4 FLARE
ALTERNATE VIEW



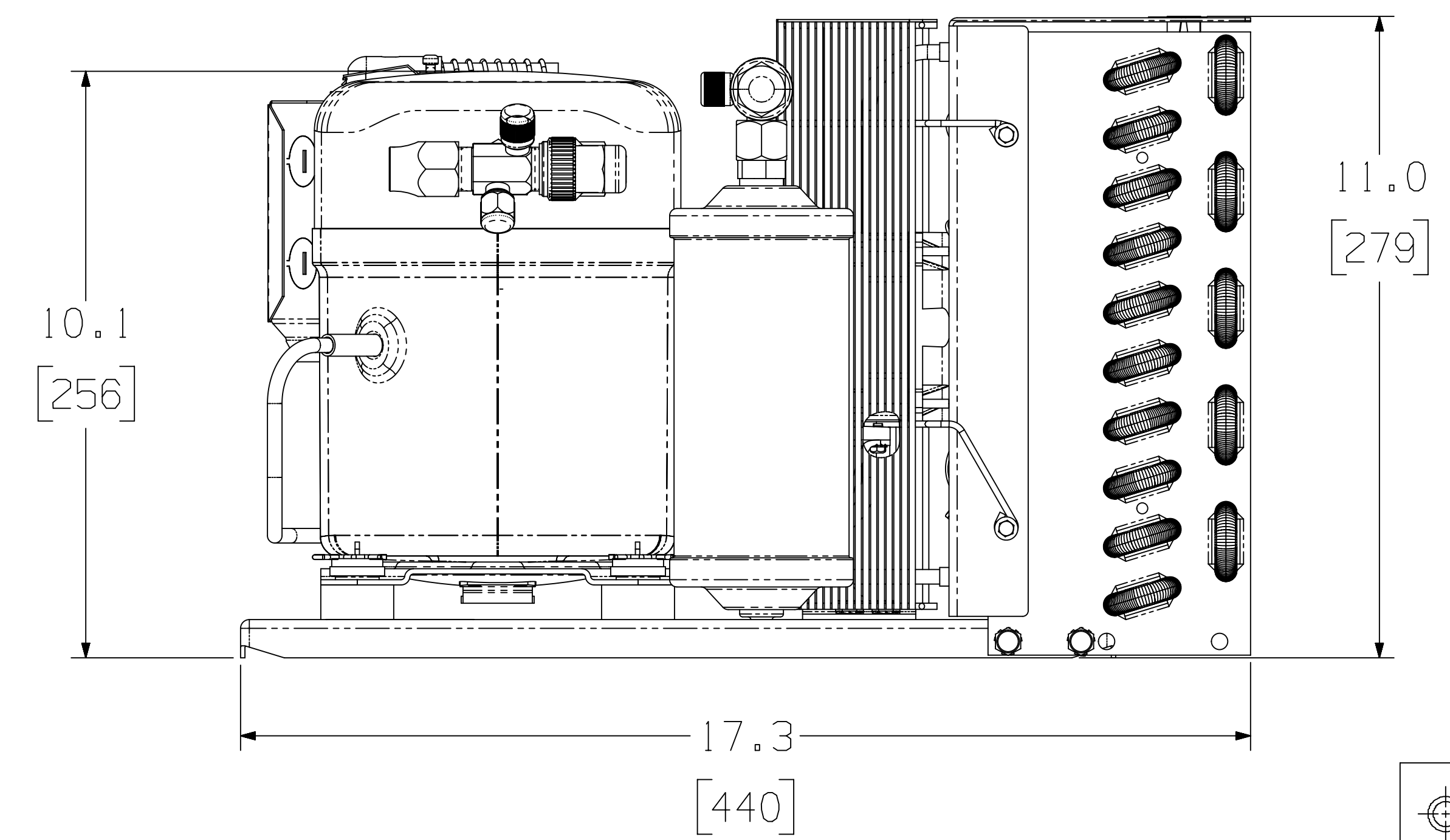
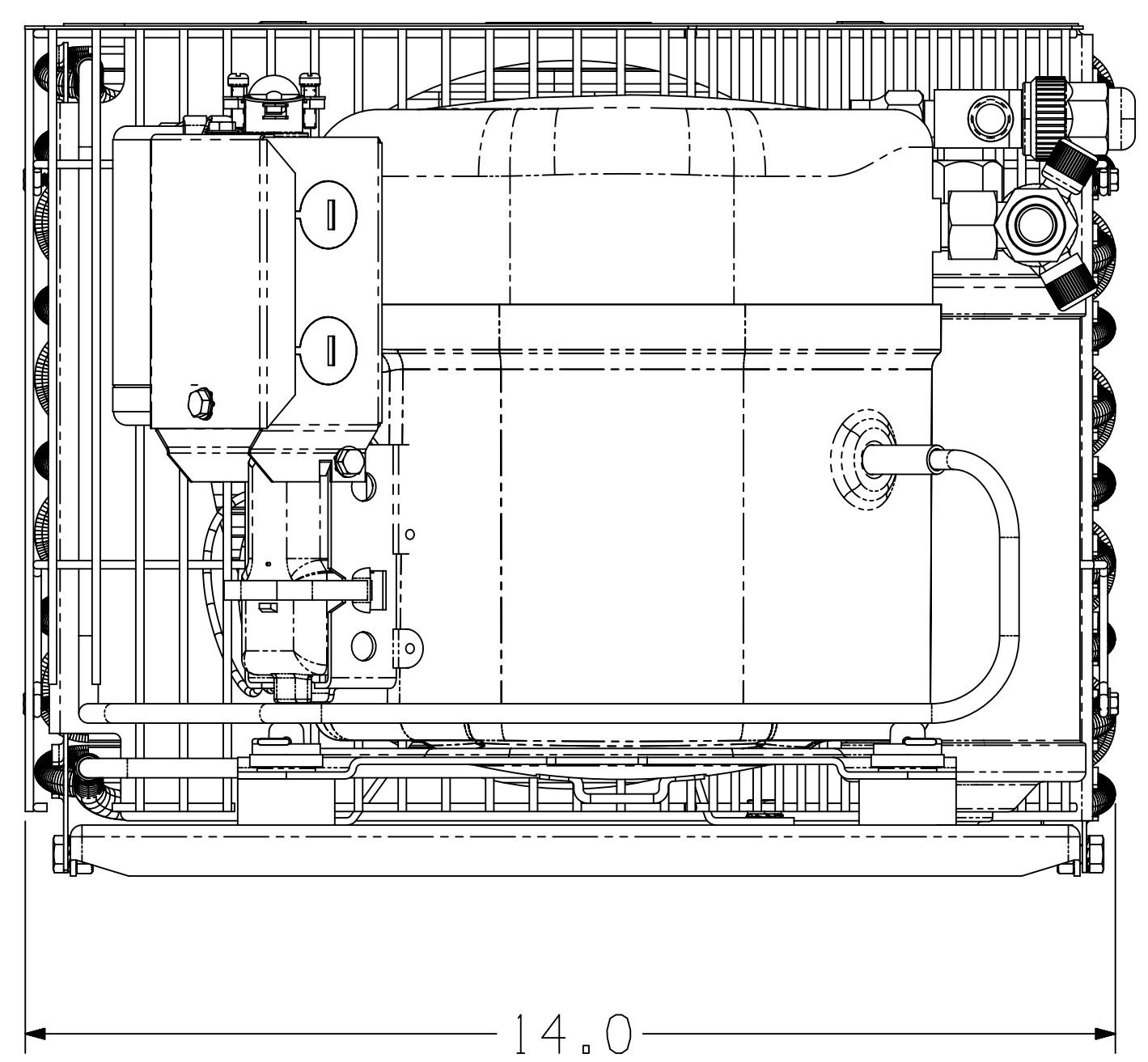
31581
ROTO LOCK VALVE
1/2 FLARE TIN
ALTERNATE VIEW



31582
ROTO LOCK VALVE
1/2 FLARE TIN
ALTERNATE VIEW



SCALE 1:4



NOTE:
DIMENSIONING: INCHES = [MILLIMETERS]

ENGLISH

Q.A. SYMBOLS

- ★ = CATEGORY I
- ▲ = CATEGORY III
- = CATEGORY IIII
- = CATEGORY IV

EC5580A1P REDRAWN TO DIM/COM/20		TS REVISION 3D NO CHANGE		4243140-004 RIGHT REVISED PICTURE 24 JUN 04 TO MATCH DBU		*242906-000 LUCAS PRINT ERRORS Q1/MAR/04		4237305-001 R. S. S. REVISED PICTURE 2/28/98 TO MATCH DBU		*229821-002 W. E. M. SUCTION & LIQUID VALVE VIEWS REDRAWN & UP- DATED 1/04/98 C. G.		DATE THIS DRAWING OR PRINT IS THE PROPERTY OF TECUMSEH PRODUCTS CORPORATION. IT IS TO BE USED ONLY FOR THE PROJECT AND PURPOSE SPECIFIED HEREIN. IT IS NOT TO BE REPRODUCED, COPIED, REPRODUCED OR TRANSMITTED IN ANY FORM OR BY ANY MEANS, ELECTRONIC OR MECHANICAL, INCLUDING PHOTOCOPYING, RECORDING, OR BY ANY INFORMATION STORAGE AND RETRIEVAL SYSTEM, WITHOUT THE WRITTEN PERMISSION OF TECUMSEH PRODUCTS CORPORATION. ANY USE OF THIS DRAWING OR PRINT FOR OTHER THAN THE PROJECT AND PURPOSE SPECIFIED HEREIN IS PROHIBITED. THE USER SHALL RELEASE TECUMSEH PRODUCTS CORPORATION FROM ALL LIABILITY FOR ANY AND ALL DAMAGES, INCLUDING REASONABLE ATTORNEY'S FEES, ARISING OUT OF OR RELATING TO THIS DRAWING OR PRINT, WHETHER SUCH DAMAGES BE DIRECT OR INDIRECT, SPECIAL, PUNITIVE OR CONSEQUENTIAL, AND WHETHER SUCH DAMAGES BE FORESEEN OR UNFORESEEN, AND WHETHER SUCH DAMAGES BE IN CONTRACT OR TORT, AND WHETHER SUCH DAMAGES BE IN CONTRACT OR TORT, AND WHETHER SUCH DAMAGES BE IN CONTRACT OR TORT.		DIS. CODE DESCRIPTION SALES CONDENSING UNIT DRAWING		SCALE 1/2 & NOTED		THIS PRINT SUPERSEDES ALL PRINTS PRIOR TO THIS DATE	
MATERIAL NOTED										DWG NO. SU1909-28									