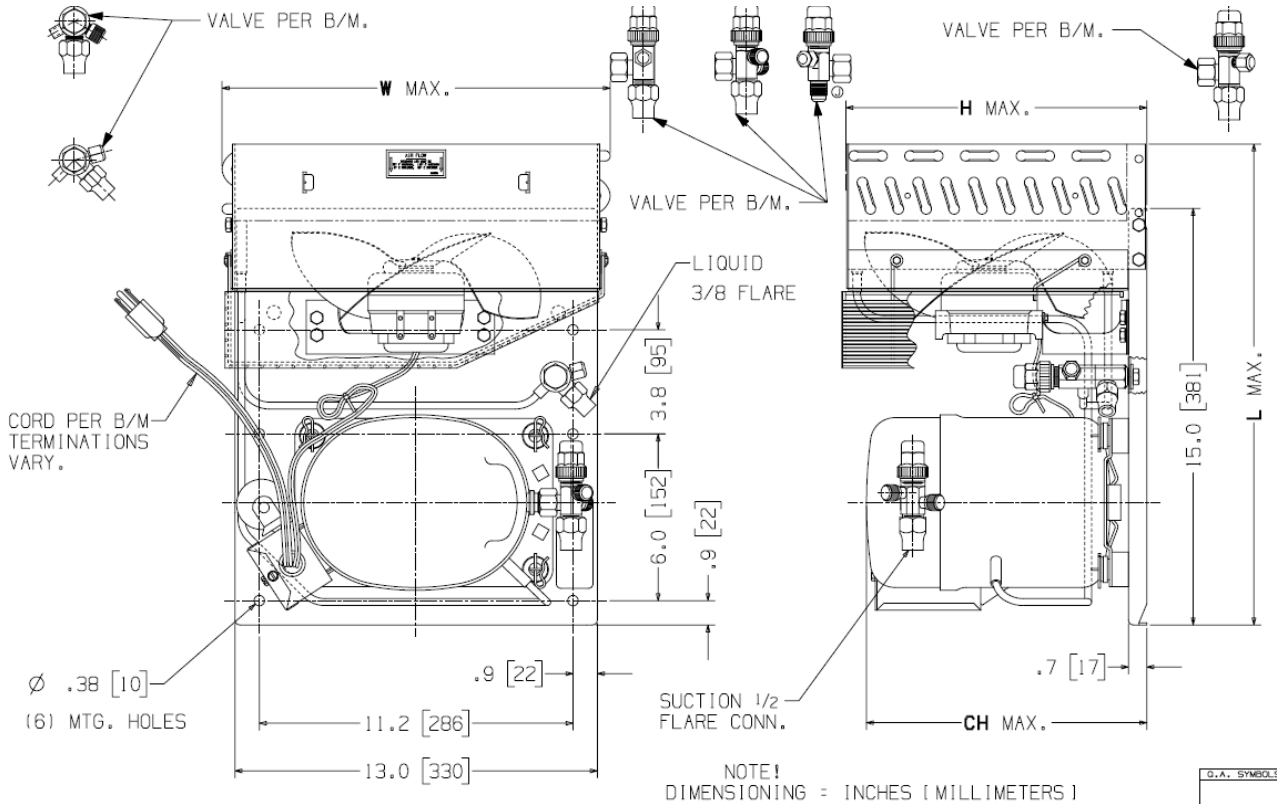




Indoor Condensing Unit Technical Data Sheet

Model: AKA4460YXAXA BoM: 2C284-4 R-134a / R-513A 1/2 HP



| Model | Dimensions, inches | | | | Line Connection* | | Pumpdown | Air | Oil Ch | Gr. Wt. |
|--------------|--------------------|------|------|------|------------------|--------|-----------|------|--------|---------|
| | L | W | H | CH | Suction | Liquid | 90 °F 90% | SCFM | Oz. | Lbs. |
| AKA4460YXAXA | 17.4 | 14.0 | 10.9 | 10.1 | 3/8" F | 3/8" F | N/A | 350 | 17 | 68 |

* F = Flare, S = Solder, RF or RS = Rotolock with Flare or Solder Connections, C = Compression Fitting
Factory charge: 20 PSIG Nitrogen – MUST BE EVACUATED

| Evaporator T, | | R-134a Performance | | | | | | | | | | | |
|---------------|------|--------------------|-------|--------|------|-------|--------|-------|-------|--------|-------|-------|--------|
| | | 80°F | | | 90°F | | | 100°F | | | 110°F | | |
| °F | PSIG | BTUH | Watts | Cond T | BTUH | Watts | Cond T | BTUH | Watts | Cond T | BTUH | Watts | Cond T |
| 20 | 18.4 | 3654 | 634 | 109 | 3353 | 641 | 116 | 3052 | 648 | 124 | 2751 | 655 | 132 |
| 25 | 22.1 | 4088 | 689 | 112 | 3745 | 707 | 120 | 3401 | 725 | 128 | 3058 | 743 | 136 |
| 30 | 26.1 | 4536 | 735 | 116 | 4150 | 764 | 124 | 3765 | 792 | 131 | 3379 | 821 | 139 |
| 35 | 30.4 | 4998 | 771 | 120 | 4570 | 810 | 128 | 4142 | 850 | 135 | 3714 | 889 | 143 |
| 40 | 35.1 | 5475 | 797 | 124 | 5004 | 847 | 131 | 4534 | 897 | 139 | --- | --- | --- |
| 45 | 40.1 | 5965 | 814 | 128 | 5452 | 874 | 135 | --- | --- | --- | --- | --- | --- |
| 50 | 45.5 | 6469 | 820 | 132 | 5914 | 891 | 139 | --- | --- | --- | --- | --- | --- |
| 55 | 51.3 | 6987 | 817 | 135 | 6389 | 899 | 143 | --- | --- | --- | --- | --- | --- |

60 Hz Performance
 Return gas temp. 65°F, 5°F sub cooling

| Evaporator T, | | R-513A Performance | | | | | | | | | | | |
|---------------|------|--------------------|-------|--------|------|-------|--------|-------|-------|--------|-------|-------|--------|
| | | 80°F | | | 90°F | | | 100°F | | | 110°F | | |
| °F | PSIG | BTUH | Watts | Cond T | BTUH | Watts | Cond T | BTUH | Watts | Cond T | BTUH | Watts | Cond T |
| 20 | 22.4 | 3785 | 690 | 108 | 3474 | 698 | 115 | 3162 | 706 | 123 | 2850 | 713 | 130 |
| 25 | 26.4 | 4235 | 750 | 111 | 3880 | 770 | 119 | 3523 | 789 | 127 | 3168 | 809 | 134 |
| 30 | 30.6 | 4699 | 800 | 115 | 4299 | 832 | 123 | 3900 | 862 | 129 | 3500 | 894 | 137 |
| 35 | 35.2 | 5178 | 840 | 119 | 4734 | 882 | 127 | 4291 | 926 | 133 | 3847 | 968 | 141 |
| 40 | 40.1 | 5672 | 868 | 123 | 5184 | 922 | 129 | 4697 | 977 | 137 | --- | --- | --- |
| 45 | 45.4 | 6179 | 886 | 127 | 5648 | 952 | 133 | --- | --- | --- | --- | --- | --- |
| 50 | 51.1 | 6702 | 893 | 130 | 6127 | 970 | 137 | --- | --- | --- | --- | --- | --- |
| 55 | 57.1 | 7238 | 890 | 133 | 6619 | 979 | 141 | --- | --- | --- | --- | --- | --- |

60 Hz Performance

Return gas temp. 65°F, 5°F sub cooling

Specifications/ Parts:

| | |
|------------------------|----------------|
| Unit Model | AKA4460YXAXA |
| Unit Bill of Material | 2C284-4 |
| Refrigeration Range | 20 F to 55° F |
| Design Pressure Low | 150 |
| Design Pressure High | 450 |
| Nominal Volts-Hz-Ph | 115/60/1 |
| Voltage Range | 103 to 127 |
| Min. Circuit Ampacity | 12.4 |
| Max. Fuse Size (amps) | 20 |
| Compressor Model | AKA4460YXA |
| Comp. Bill of Material | AK168AT-038-J7 |
| Compressor RLA/LRA | 9.5/48 |
| Overload | 8300MRAG17 |
| Relay | 8200EMBJ97 |
| Run Capacitor | N/A |
| Start Capacitor | 85PS165C96 |

| | |
|--------------------------|------------|
| Fan Motor | 810M009C09 |
| Fan Motor RLA | 0.53 |
| Fan Blade | 51564-1 |
| Fan Shroud | 70766-1 |
| Fan Guard | 70959 |
| Condenser | 50840-2 |
| Receiver Tank | N/A |
| Liquid Valve | 56501-8 |
| Suction Valve | 31547-8 |
| Power Cord | 85106-14 |
| HP Switch | N/A |
| Unit Drawing | DGU1909-32 |
| Wiring Diagram | 90701-2 |
| Replacement Kit: Relay | LP145 |
| Replacement Kit: O/L | K90-23 |
| Replacement Kit: St. Cap | K146-25 |

Electrical Diagram

