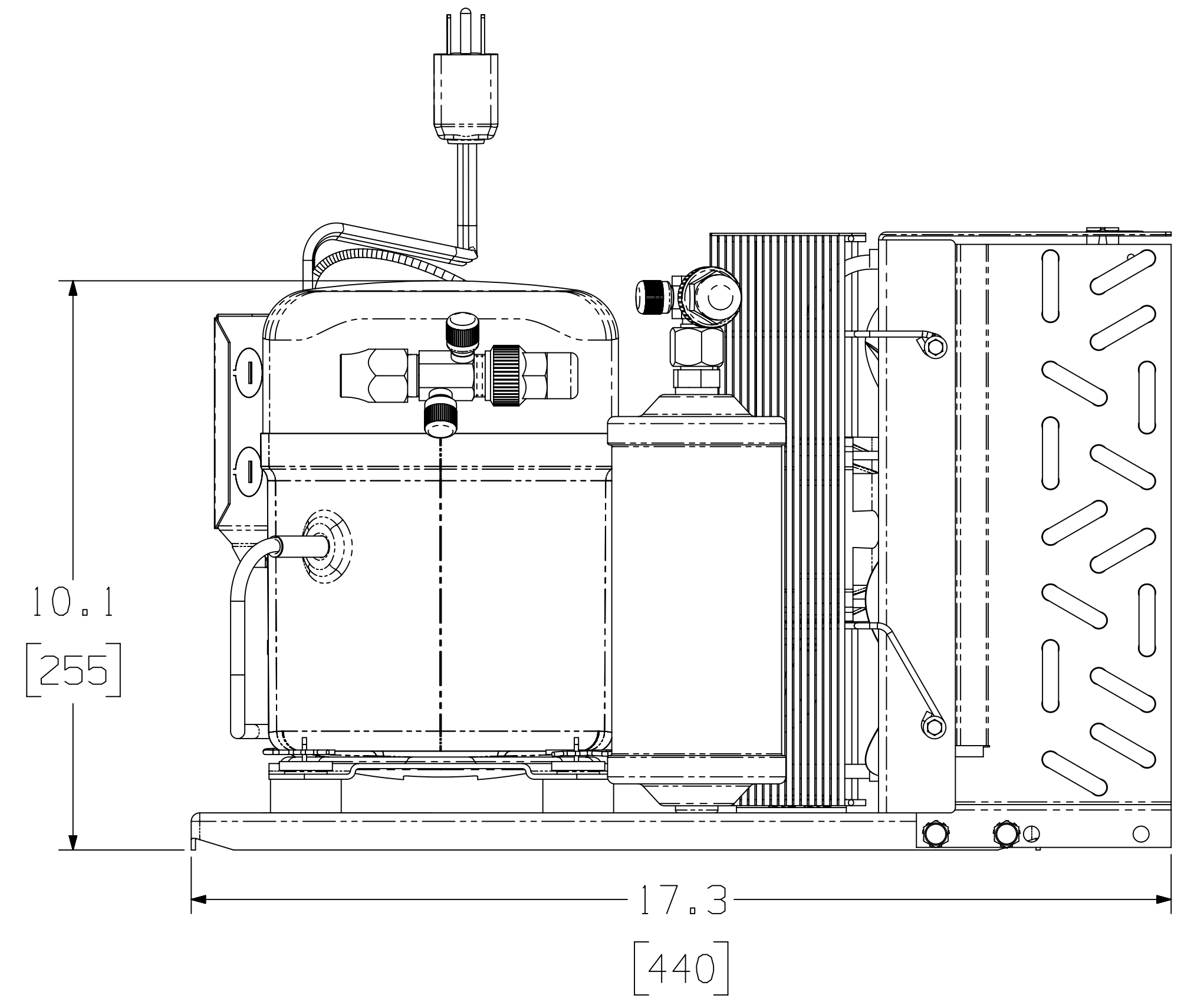
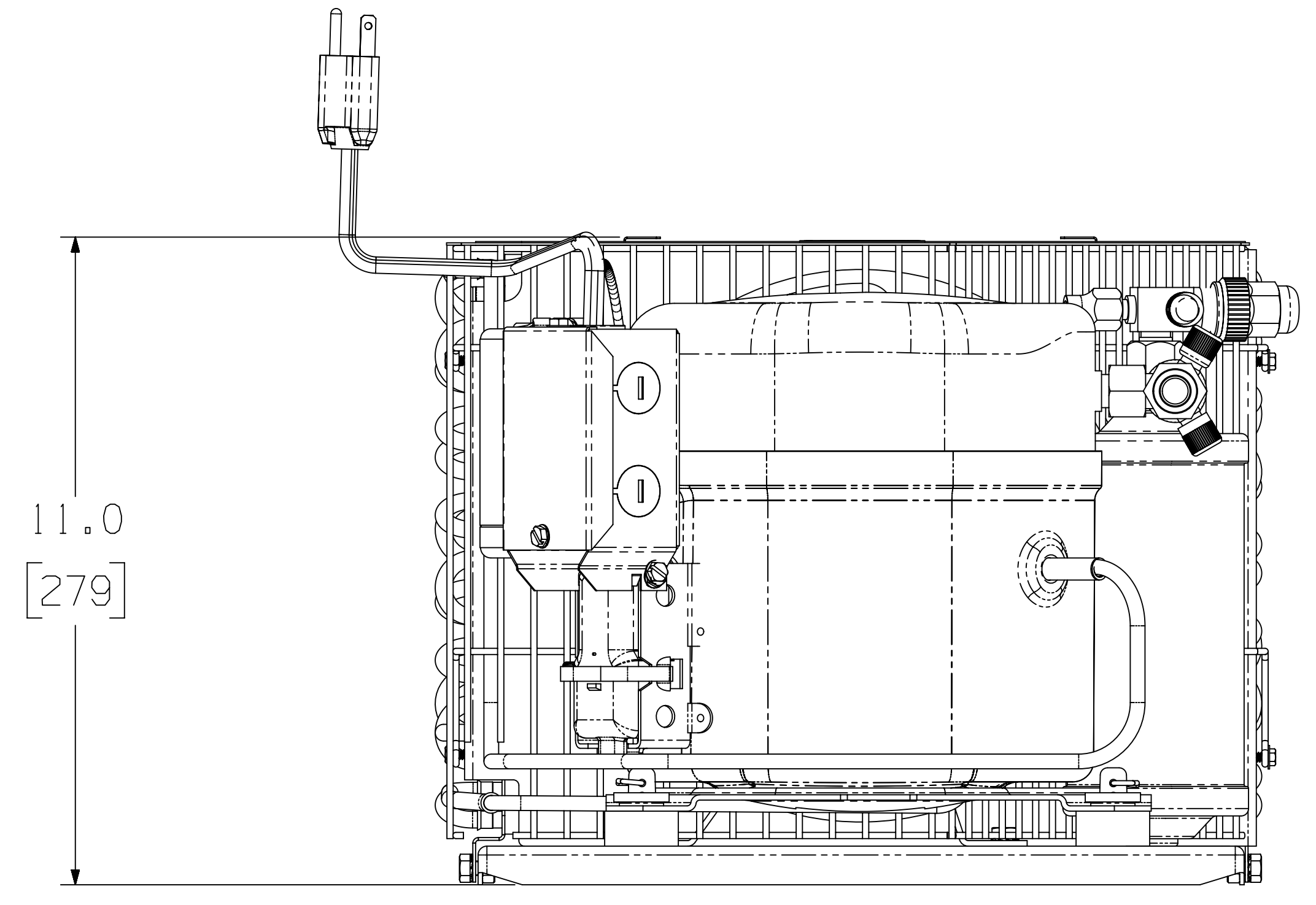


SCALE 1:4



NOTE:
INCHES = [MILLIMETERS]

ENGLISH

Q.A. SYMBOLS

- ★ = CATEGORY I
- ▲ = CATEGORY III
- = CATEGORY IIII
- = CATEGORY IV

REV.	DATE	DESCRIPTION	DIS. CODE	DESCRIPTION
1	12/JAN/94	W.E.M. DISCH. TUBE		
2	12/JAN/94	REVISED FAN COVER		
3	12/JAN/94	W.E.M. DISCH. TUBE		
4	12/JAN/94	REMOVED COMP. COVER		
5	12/JAN/94	REMOVED COMP. COVER		
6	12/JAN/94	REMOVED COMP. COVER		
7	12/JAN/94	REMOVED COMP. COVER		
8	12/JAN/94	REMOVED COMP. COVER		
9	12/JAN/94	REMOVED COMP. COVER		
10	12/JAN/94	REMOVED COMP. COVER		
11	12/JAN/94	REMOVED COMP. COVER		
12	12/JAN/94	REMOVED COMP. COVER		

THIS DRAWING OR PRINT IS THE PROPERTY OF TECUMSEH PRODUCTS CO. IT IS TO BE USED ONLY FOR THE PURPOSES SPECIFIED HEREON. IT IS NOT TO BE REPRODUCED, COPIED, OR TRANSMITTED IN ANY FORM OR BY ANY MEANS, ELECTRONIC OR MECHANICAL, INCLUDING PHOTOCOPYING, RECORDING, OR BY ANY INFORMATION STORAGE AND RETRIEVAL SYSTEM, WITHOUT THE WRITTEN PERMISSION OF TECUMSEH PRODUCTS CO. ANY UNAUTHORIZED USE OF THIS DRAWING OR PRINT IS PROHIBITED. THIS DRAWING OR PRINT IS NOT TO BE USED FOR ANY OTHER PURPOSES WITHOUT THE WRITTEN PERMISSION OF TECUMSEH PRODUCTS CO.		DO NOT SCALE THIS DRAWING. DIMENSIONS MUST NOT BE TAKEN FROM THIS DRAWING. DIMENSIONS MUST BE TAKEN FROM THE ORIGINAL DRAWING OR PRINT.
REL. NO. #27100	SCALE 1/2 & NOTED	THIS PRINT SUPERSEDES ALL PRINTS PRIOR TO THIS DATE.
SALES CONDENSING UNIT DRAWING		
TECUMSEH PRODUCTS CO. ANN ARBOR, MICHIGAN		
MATERIAL NOTED	DWG NO. SU1909-27	UNIT