



**TECUMSEH**

# TECUMSEH HERMETIC CONDENSING UNITS

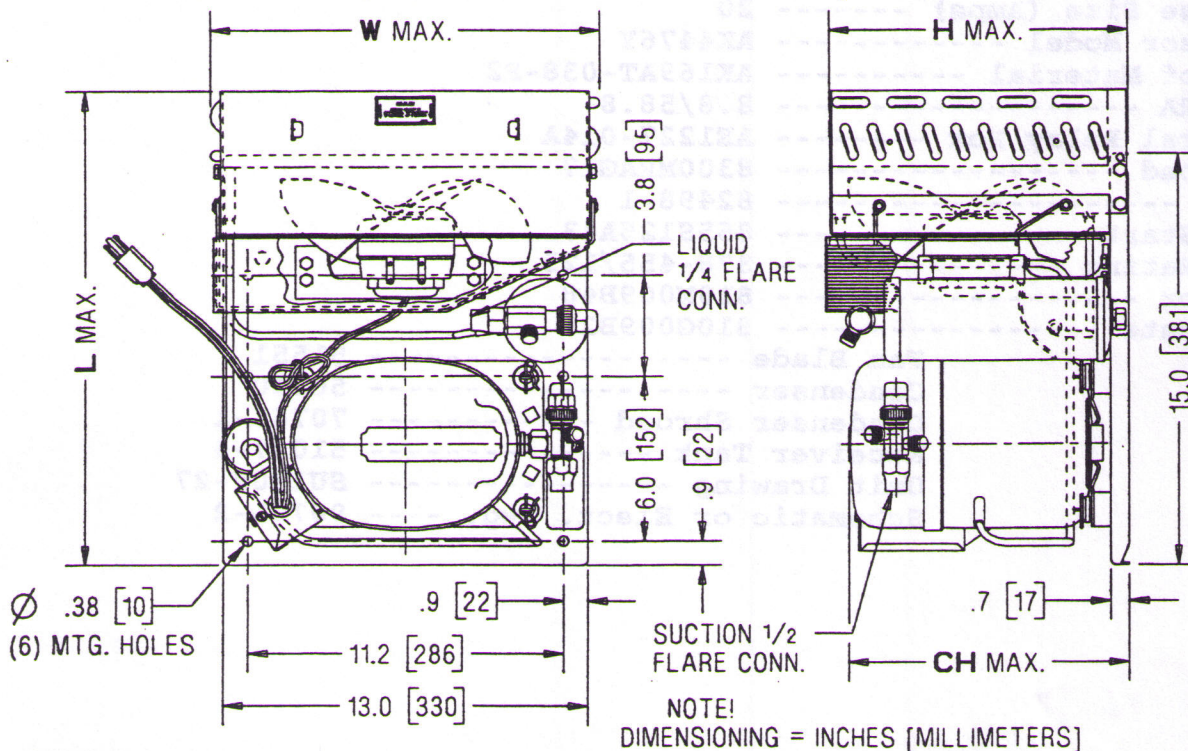
Page: YM4.377B  
Date: 10-14-94

MODEL AK7437YB (115-60-1)

R134a

1/2 HP

AIR COOLED



Model	Dimensions				*Line Connections		Pumpdown 90°F 90% Full	Air CFM	Oil Chg oz.	Gross Wt. Lbs.
	L	W	H	CH	Suction	Liquid				
AK7437YB	17.4	14.0	10.9	10.1	1/2 F	1/4 F	3.3#	350	17	74
*F=Flare, S=Solder, RF or RS = Rotolock Valve with Flare or Solder Connections 60 Hz. Performance Factory Charge: 20 psig nitrogen - MUST BE EVACUATED										
Approved Evap. Range		Ambient								
		90°F			100°F			110°F		
°F	PSIG	BTUH	Watts	Head	BTUH	Watts	Head	BTUH	Watts	Head
-10	2.0	1650	480	130	1250	440	145	950	390	160
- 5	4.1	1950	530	140	1500	500	150	1200	460	170
0	6.5	2250	580	145	1800	560	160	1500	520	175
5	9.1	2600	630	155	2150	610	170	1750	590	185
10	11.9	3000	690	160	2500	670	180	2100	660	195
15	15.0	3400	740	170	2900	740	190	2450	730	205
20	18.4	3800	800	180	3300	800	200	2800	800	220
25	22.1	4250	870	190	3700	880	210	3200	890	230
30	26.0	4700	940	200	4100	950	220	3600	970	240

20°F return gas temp. max. superheat above 20°F evap.,  
40°F max. below 20°F evap., 5°F subcooling

# Model AK7437YB

Page: YM4.377B

Date: 10-14-94

## SPECIFICATIONS

Nominal Voltage -----	115-60-1
Unit Bill of Material -----	2C286-1
Voltage Range -----	126.5 to 103.5
Minimum Circuit Ampacity ----	11.5
Max. Fuse Size (Amps) -----	20
Compressor Model -----	AK4476Y
Bill of Material -----	AK169AT-038-P2
RLA/LRA -----	8.8/58.8
Integral Relay Box -----	AE1227-014A
Overload -----	8300MRAG17
Relay -----	82498-1
Cap. Start -----	855S125A43
Rating -----	378-455/125
Fan Motor -----	810M009B48
Alternate -----	810G009B24
Fan Blade -----	51551
Condenser -----	50840
Condenser Shroud -----	70766-1
Receiver Tank -----	51067-4
Unit Drawing -----	SU1909-27
Schematic or Elect. Dwg. ----	90701-2

