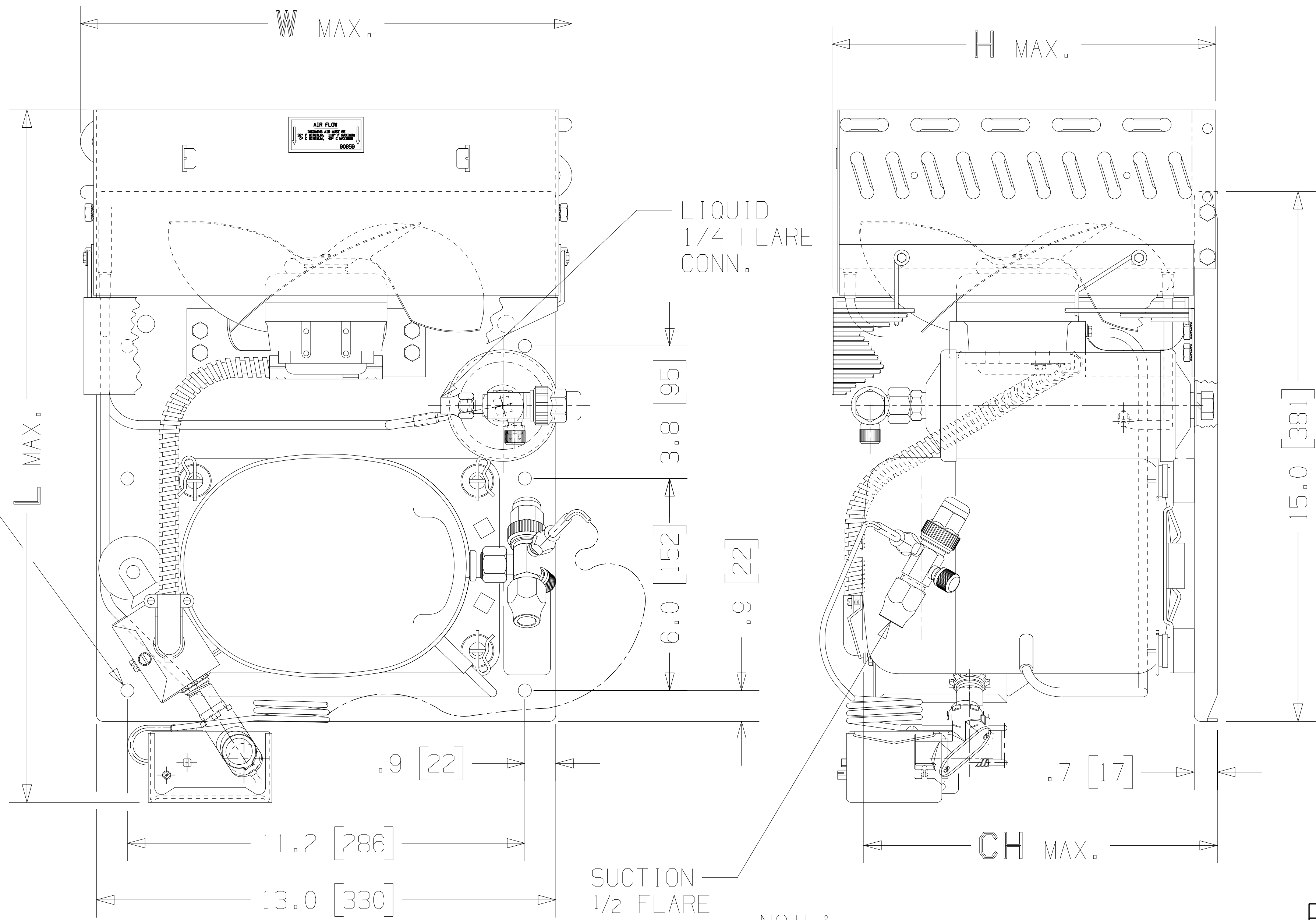


PART NO.  
SU1909-55



NOTE!  
DIMENSIONING = INCHES [MILLIMETERS]

L	W	H	CH
19.6 [498]	14.0 [355]	10.9 [277]	10.1 [256]

REV.	DATE	DESCRIPTION
1	12/22/94	REVISION
2		
3		
4		
5		
6		
7		
8		
9		
10		
11		
12		
13		
14		
15		
16		
17		
18		
19		
20		
21		
22		
23		
24		
25		
26		
27		
28		
29		
30		
31		
32		
33		
34		
35		
36		
37		
38		
39		
40		
41		
42		
43		
44		
45		
46		
47		
48		
49		
50		
51		
52		
53		
54		
55		
56		
57		
58		
59		
60		
61		
62		
63		
64		
65		
66		
67		
68		
69		
70		
71		
72		
73		
74		
75		
76		
77		
78		
79		
80		
81		
82		
83		
84		
85		
86		
87		
88		
89		
90		
91		
92		
93		
94		
95		
96		
97		
98		
99		
100		

Q.A. SYMBOLS

AK

DIS. CODE: SU

NAME: HERMETIC CONDENSING UNIT

DWN. R. Spence 12/22/94

CK. Mc

**TECUMSEH PRODUCTS CO.**  
TECUMSEH, MICHIGAN

MATERIAL: NOTED

INTERNAL USE ONLY

01\ok\ok-su1909-55\_d-c.prt

PART NO. SU1909-55

THIS PRINT SUPERSEDES ALL PRINTS PRIOR TO