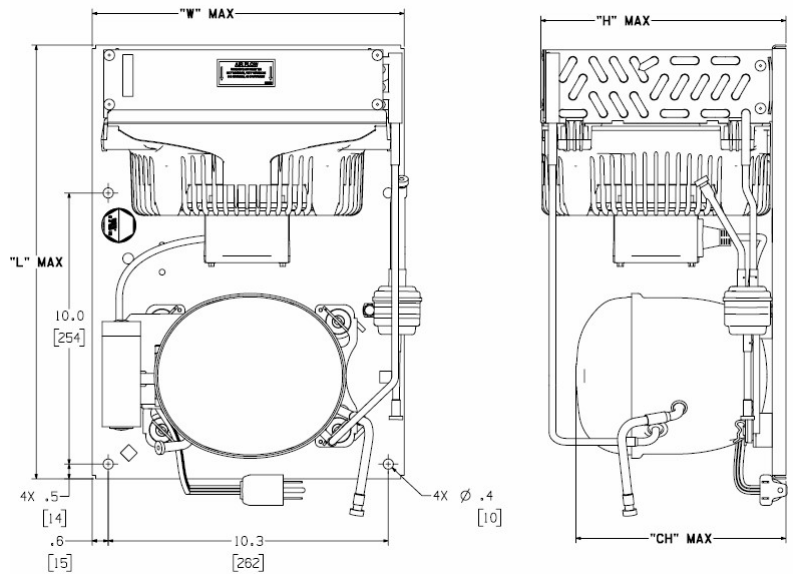




Indoor Condensing Unit Technical Datasheet

November 28, 2018
Revision: A

Model: AEX419U-AA1BCK BoM: 2E295-1 R-290 1/2 HP AIRCOOLED



Model	Dimensions, inches				Line Connection*		Pumpdown	Air	Oil Ch	Gr. Wt.
	L	W	H	CH	Suction	Liquid	90 °F 90%	SCFM	Oz.	Lbs.
AEX419U-AA1BCK	16.0	11.5	9.0	9.3	5/16" S	1/4" S	N/A	230	13.1	50

* F = Flare, S = Solder, RF or RS = Rotolock with Flare or Solder Connections, C = Compression Fitting

Evaporator T		Ambient Temperatures											
		80°F			90°F			100°F			110°F		
°F	PSIG	BTUH	Watts	Cond T	BTUH	Watts	Cond T	BTUH	Watts	Cond T	BTUH	Watts	Cond T
-30	5.7	1465	304.6	93.7	1344	309.3	103.1	1224	314	112.4	1104	318.8	121.8
-25	8.1	1608	321.1	95.2	1497	327.2	104.4	1386	333.3	113.6	1275	339.4	122.8
-20	10.7	1747	338.8	96.9	1645	346.3	105.9	1543	353.8	115	1441	361.3	124
-15	13.6	1881	357.8	98.8	1788	366.7	107.7	1696	375.6	116.5	1603	384.5	125.4
-10	16.7	2011	378.1	101	1928	388.4	109.7	1845	398.7	118.4	1761	408.9	127
-5	20.1	2137	399.7	103.4	2063	411.3	111.9	1989	423	120.4	1915	434.7	128.9
0	23.7	2258	422.5	105.9	2193	435.5	114.3	2129	448.6	122.6	2064	461.6	131
5	27.6	2375	446.6	108.8	2320	461	116.9	2264	475.5	125.1	2209	489.9	133.3
10	31.8	2488	471.9	111.8	2442	487.8	119.8	2396	503.6	127.8	2350	519.4	135.8
15	36.3	2596	498.5	115	2559	515.8	122.9	2523	533	130.7	2486	550.2	138.5
20	41.1	2700	526.4	118.5	2673	545	126.2	2645	563.7	133.8	2618	582.3	141.5

60 Hz Performance
Return gas temp. 40°F, 5°F sub-cooling

Specifications/ Parts:

Model	AEX419U-AA1BCK
Unit Bill of Material	2E295-1
Nominal Volts/Hz/Ph	115/60/1
Refrigeration Range	-30° to 20°F
Design Pressure Low	150
Design Pressure High	300
Voltage Range	103-127
Min. Circuit Ampacity	5.7
Max. Fuse Size (amps)	15
Compressor Model	AEX419U-DS1B
Comp. Bill of Material	AE-1528-E
Compressor RLA/LRA	4.7 / 33
Overload	830-10421
Overload Replacement Kit	K90-140
Relay	9660C-3018-182
Relay Replacement Kit	K71-98
Start Capacitor	85S-10116
Start Capacitor Replacement Kit	K146-78
Unit Drawing	DGU1896-G103G
Wiring Diagram	DEAE32

Fan Motor	810-141E
Fan Motor RLA	0.22
Fan Blade	515-021P
Fan Guard / Shroud Combo	116-002P
Power Cord	85106-21
Condenser	506-G434
Receiver Tank	N/A
Liquid Valve	N/A
Suction Valve	N/A
Liquid Filter	704-10482

Electrical Diagram

