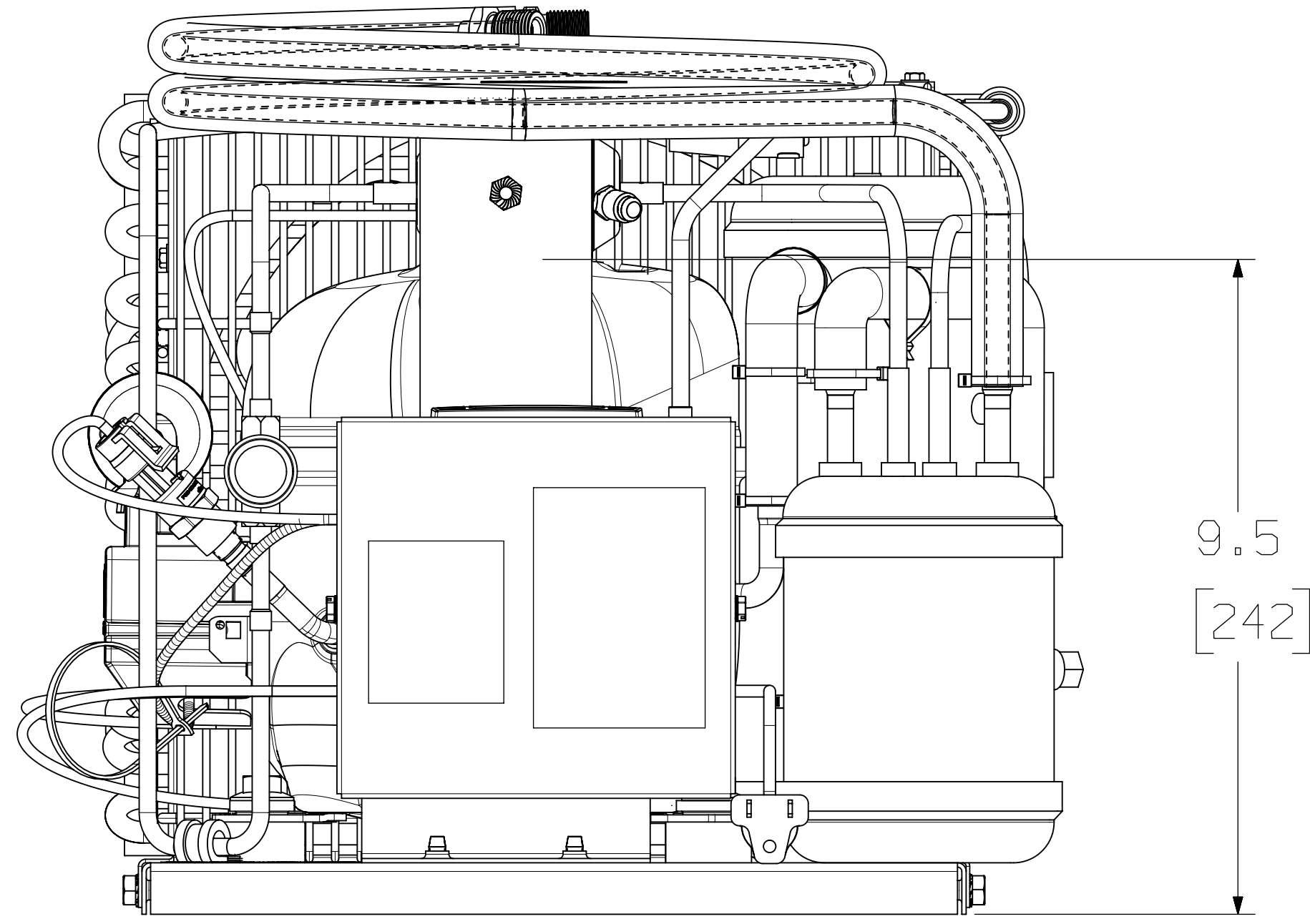


SCALE 1:4



NOTE:
DIMENSIONING = INCHES [MILLIMETERS]

3D, VNX10

ENGLISH

Q.A. SYMBOLS

- ★ = CATEGORY I
- ▲ = CATEGORY II
- = CATEGORY III
- = CATEGORY IV

UNIT

| | | | | | |
|---|------------|------|--|---|---------------------------|
| REV | EC0435_A1P | DATE | | DESCRIPTION | SALES UNIT DRAWING |
| <p>THIS DRAWING OR PRINT IS THE PROPERTY OF TECUMSEH PRODUCTS CO. IT IS TO BE USED ONLY FOR THE SPECIFIC PROJECT AND NOT TO BE REPRODUCED, COPIED, OR TRANSMITTED IN ANY FORM OR BY ANY MEANS, ELECTRONIC OR MECHANICAL, INCLUDING PHOTOCOPYING, RECORDING, OR BY ANY INFORMATION STORAGE AND RETRIEVAL SYSTEM. ANY UNAUTHORIZED USE OF THIS DRAWING OR PRINT IS STRICTLY PROHIBITED. ALL RIGHTS ARE RESERVED BY TECUMSEH PRODUCTS CO. © 2018</p> | | | | <p>SCALE 1/2 & NOTED</p> <p>THIS PRINT SUPERSEDES ALL PRINTS PRIOR TO</p> | <p>DWG NO. SU1896-258</p> |
| <p>DO NOT SCALE THIS DRAWING. DIMENSIONS SHALL BE TAKEN FROM THE ORIGINAL DRAWING OR PRINT.</p> | | | | <p>TECUMSEH PRODUCTS CO. ANN ARBOR, MICHIGAN</p> | <p>NOTED</p> |