



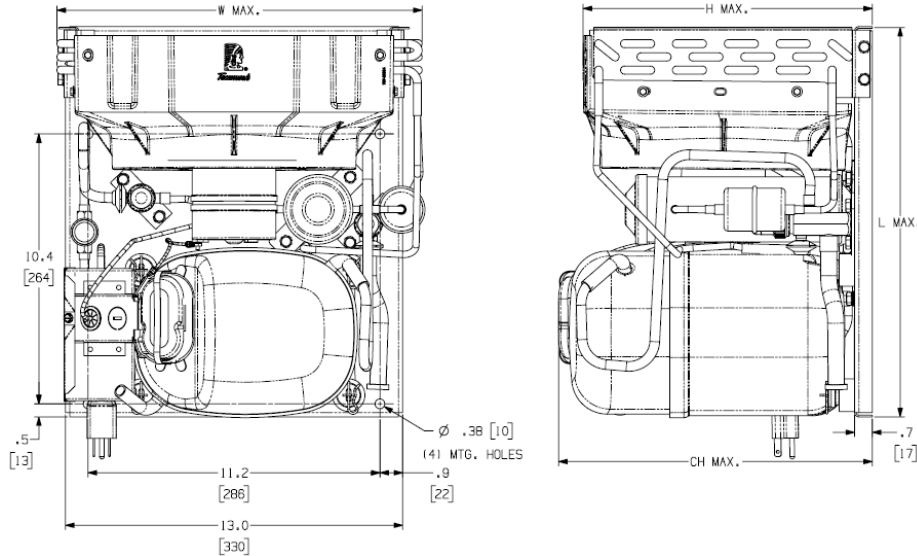
Celseon® Air Cooled Condensing Unit

Model: AJA2423YAAD*

BoM: 2G201-**

R-134a

1/2 HP



Model	Dimensions, inches				Line Connection*		Pumpdown	Air	Oil Ch	Gr. Wt.
	L	W	H	CH	Suction	Liquid	90 °F 90%	SCFM	Oz.	Lbs.
AJA2423YAADA	15.0	14.0	11.1	11.7	3/8" S	1/4" S	N/A	185	26	62
AJA2423YAADG					5/8" S	3/8" S	2.5 lbs			64
AJA2423YAADH					5/8" S	3/8" S	N/A			62
AJA2423YAADK					3/8" S	1/4" S	62			
AJA2423YAADC					5/8" S	3/8" S	2.5 lbs			64
AJA2423YAADS					5/8" S	3/8" S	N/A			62
AJA2423YAADJ					5/8" S	3/8" S	2.5 lbs			64
AJA2423YAADP					5/8" S	3/8" S	2.5 lbs			64

* F = Flare, S = Solder, RF or RS = Rotolock with Flare or Solder Connections, C = Compression Fitting

Factory charge: 20 PSIG Nitrogen – **MUST BE EVACUATED**

Evaporator T,		Ambient Temperatures											
		80°F			90°F			100°F			110°F		
°F	PSIG	BTUH	Watts	Cond T	BTUH	Watts	Cond T	BTUH	Watts	Cond T	BTUH	Watts	Cond T
-40	*14.8"	416	252	86	140	160	93	---	---	---	---	---	---
-35	*13.0"	790	321	88	356	235	95	105	150	102	---	---	---
-30	*9.8"	1177	389	90	735	311	97	321	233	104	217	154	111
-25	*6.9"	1575	459	93	1124	387	100	701	316	107	307	244	114
-20	*3.7"	1980	528	95	1520	464	103	1088	399	110	685	335	117
-15	0.1	2390	598	99	1920	540	106	1479	483	113	1066	425	120
-10	1.9	2801	668	102	2321	618	109	1870	567	116	1447	516	123
-5	4.2	3209	739	106	2719	695	113	2257	651	120	1823	608	127
0	6.5	3611	810	110	3110	773	117	2637	736	124	2192	699	131
5	9.0	4002	881	114	3489	851	121	3004	821	128	2548	791	135
10	11.9	4376	953	118	3852	930	125	3355	907	132	2886	884	139

60 Hz Performance

Return gas temp. 40°F, 5°F sub cooling

Note: * = Inches of Mercury below 1 Atmosphere

Electrical Diagram Page 3

