



Tecumseh

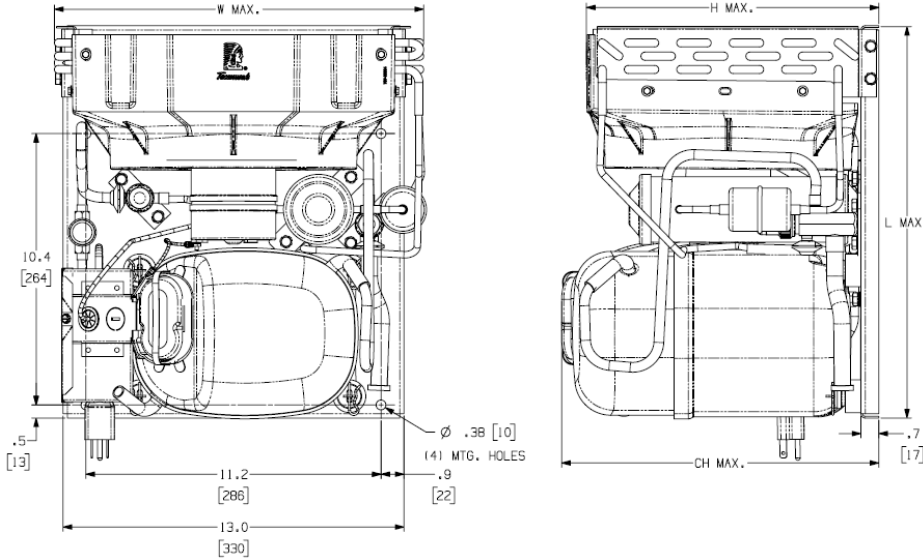
Celseon® Air Cooled Condensing Unit

Model: AJA2423ZAAD*

BoM: 2G202-**

R-404A

1/2 HP



Model	Dimensions, inches				Line Connection*		Pumpdown	Air	Oil Ch	Gr. Wt.
	L	W	H	CH	Suction	Liquid	90 °F 90%	SCFM	Oz.	Lbs.
AJA2423ZAADA	15.0	14.0	11.1	11.7	3/8" S	1/4" S	N/A	185	26	62
AJA2423ZAADG					5/8" S	3/8" S	2.2 lbs			64
AJA2423ZAADH					5/8" S	3/8" S	N/A			62
AJA2423ZAADK					3/8" S	1/4" S	N/A			62
AJA2423ZAADC					5/8" S	3/8" S	2.2 lbs			64
AJA2423ZAADS					5/8" S	3/8" S	N/A			62
AJA2423ZAADJ					5/8" S	3/8" S	2.2 lbs			64
AJA2423ZAADP					5/8" S	3/8" S	2.2 lbs			64

* F = Flare, S = Solder, RF or RS = Rotolock with Flare or Solder Connections, C = Compression Fitting

Factory charge: 20 PSIG Nitrogen – **MUST BE EVACUATED**

Evaporator T,		Ambient Temperatures											
		80°F			90°F			100°F			110°F		
°F	PSIG	BTUH	Watts	Cond T	BTUH	Watts	Cond T	BTUH	Watts	Cond T	BTUH	Watts	Cond T
-40	4.3	963	379	88	821	368	98	628	345	107	374	320	114
-35	6.8	1207	419	90	1032	409	99	831	388	108	588	365	116
-30	9.7	1461	460	92	1254	453	101	1041	434	110	804	412	118
-25	12.4	1726	504	94	1487	498	103	1260	482	112	1022	462	120
-20	16.0	2000	549	97	1732	545	105	1486	532	114	1243	515	122
-15	19.7	2284	597	99	1987	595	108	1721	584	116	1465	570	124
-10	23.7	2579	646	102	2254	646	110	1964	638	118	1690	627	127
-5	28.0	2883	697	105	2532	700	113	2214	695	121	1916	687	129
0	32.6	3197	751	108	2820	756	116	2473	754	124	2145	750	132
5	37.6	3521	806	111	3121	814	119	2740	815	127	2376	815	135
10	43.1	3855	863	115	3432	874	122	3014	878	130	2609	882	138

60 Hz Performance

Return gas temp. 40°F, 5°F sub cooling

