



Tecumseh

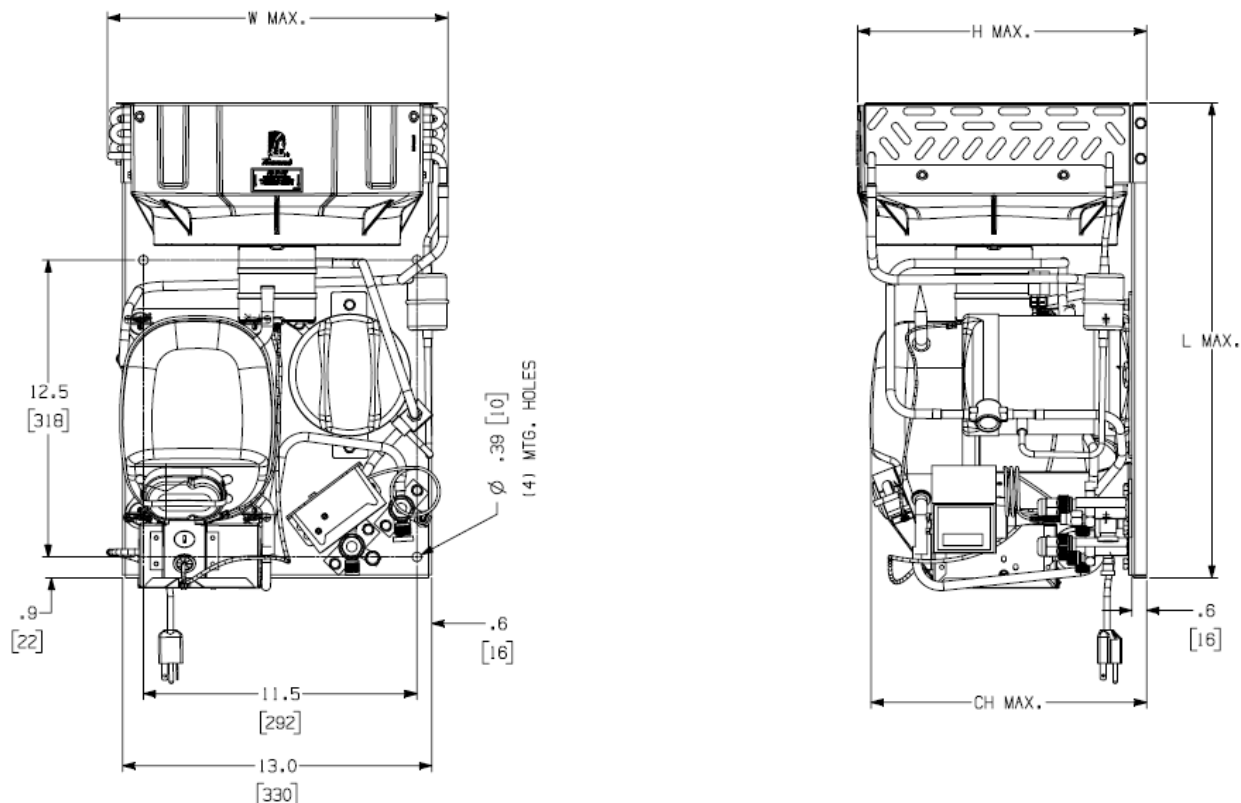
Celseon® Air Cooled Condensing Unit

Model: AJA7465AAAD*

BoM: 2G744-**

R-12

3/4 HP



Large Capacity Pump Down Unit

Model	Dimensions, inches				Line Connection*		Pumpdown	Air	Oil Ch	Gr. Wt.
	L	W	H	CH	Suction	Liquid	90 °F 90%	SCFM	Oz.	Lbs.
AJA7465AAADC	20.0	14.3	12.1	11.6	5/8" S	3/8" S	7.2 lbs	230	22	64
AJA7465AAADP					5/8" S	3/8" S	7.2 lbs			64

* F = Flare, S = Solder, RF or RS = Rotolock with Flare or Solder Connections, C = Compression Fitting

Factory charge: 20 PSIG Nitrogen – **MUST BE EVACUATED**

Evaporator T,		Ambient Temperatures								
		90°F			100°F			110°F		
°F	PSIG	BTUH	Watts	Cond T	BTUH	Watts	Cond T	BTUH	Watts	Cond T
0	9.2	4260	870	121	4020	890	124	3780	910	127
10	14.6	5355	1000	125	5110	1020	128	4830	1040	132
15	17.7	5960	1085	127	5690	1110	130	5450	1130	133
20	21.0	6560	1180	129	6300	1210	133	6080	1230	136
25	24.6	7200	1280	132	6880	1315	135	6600	1350	138
30	28.4	7650	1400	135	7510	1435	138	7190	1470	142

60 Hz Performance

Return gas temp. 40°F, 5°F sub cooling

Electrical Diagram Page 3

