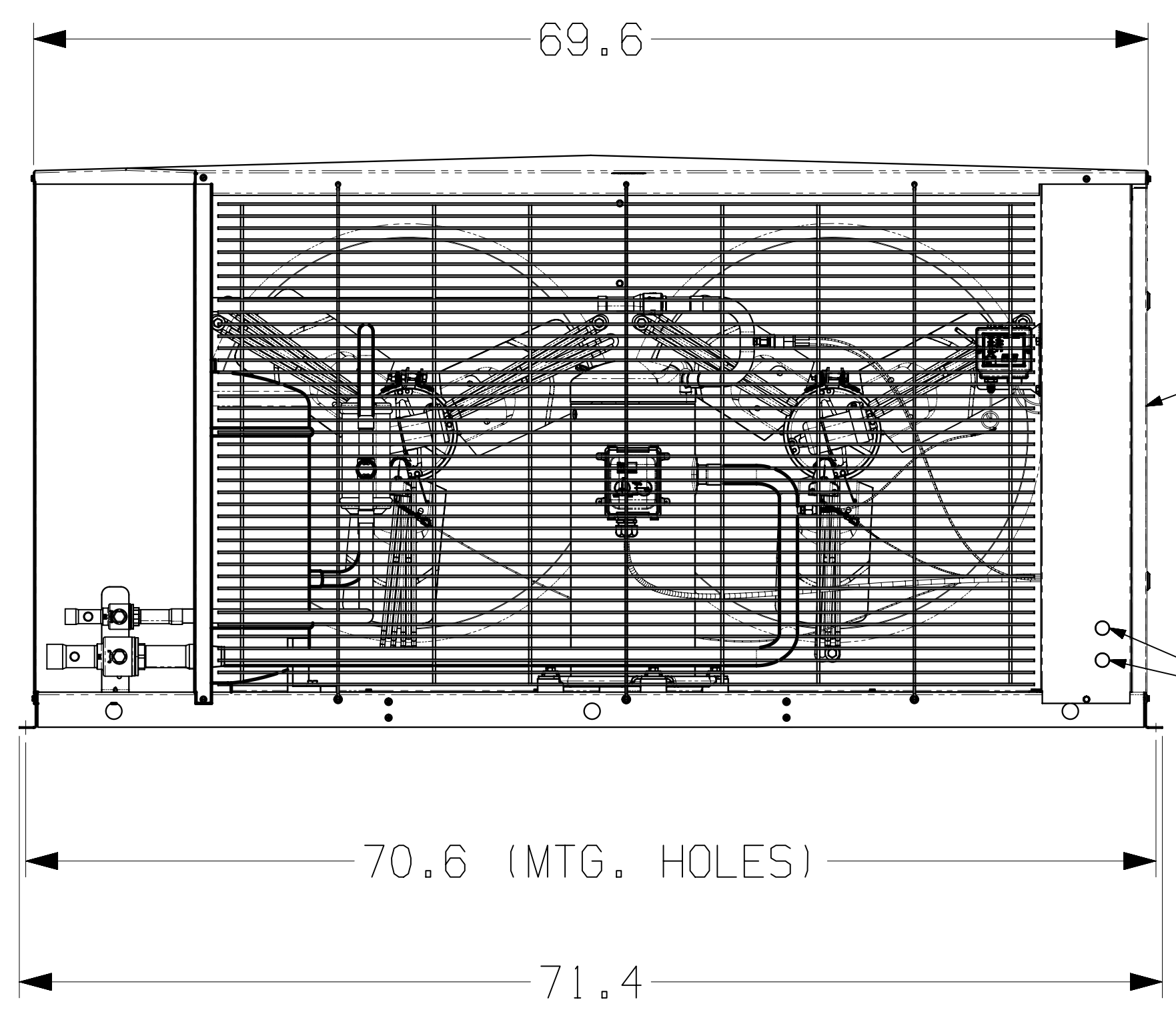
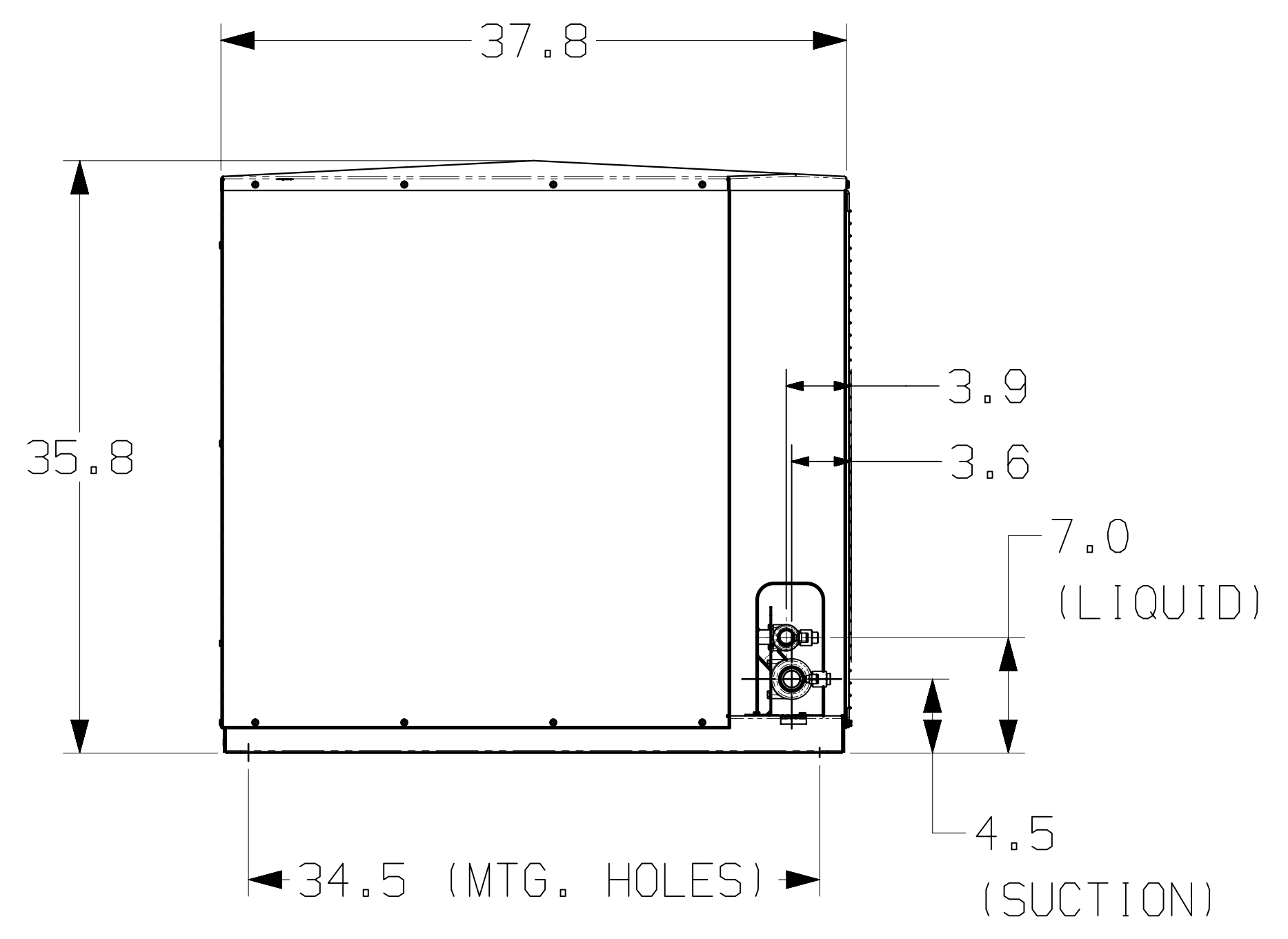


SCALE 1:10



ELECTRICAL PANEL

7/8 K.O. FOR ELECTRICAL CONNECTIONS

30, VNX1980  
ENGLISH  
Q.A. SYMBOLS  
★ = CATEGORY I  
▲ = CATEGORY II  
■ = CATEGORY III  
□ = CATEGORY IV  
ODCU

REL. NO.	EC105390	DATE		DIS. CODE		NAME	ARGUS UNIT, X-LARGE
<small>THIS DRAWING OR PRINT IS THE PROPERTY OF TECUMSEH PRODUCTS COMPANY. IT IS TO BE USED ONLY FOR THE PURPOSES SPECIFIED HEREON. IT IS NOT TO BE REPRODUCED, COPIED, OR TRANSMITTED IN ANY FORM OR BY ANY MEANS, ELECTRONIC OR MECHANICAL, INCLUDING PHOTOCOPYING, RECORDING, OR BY ANY INFORMATION STORAGE AND RETRIEVAL SYSTEM, WITHOUT THE WRITTEN PERMISSION OF TECUMSEH PRODUCTS COMPANY. THIS DRAWING IS THE PROPERTY OF TECUMSEH PRODUCTS COMPANY AND IS NOT TO BE LOANED, REPRODUCED, COPIED, OR TRANSMITTED IN ANY FORM OR BY ANY MEANS, ELECTRONIC OR MECHANICAL, INCLUDING PHOTOCOPYING, RECORDING, OR BY ANY INFORMATION STORAGE AND RETRIEVAL SYSTEM, WITHOUT THE WRITTEN PERMISSION OF TECUMSEH PRODUCTS COMPANY.</small>				SCALE	1:8 & NOTED	<small>THIS PRINT SUPERSEDES ALL PRINTS PRIOR TO THIS DATE.</small>	
MATERIAL				NOTED		DRAWING NO. SDA-4	