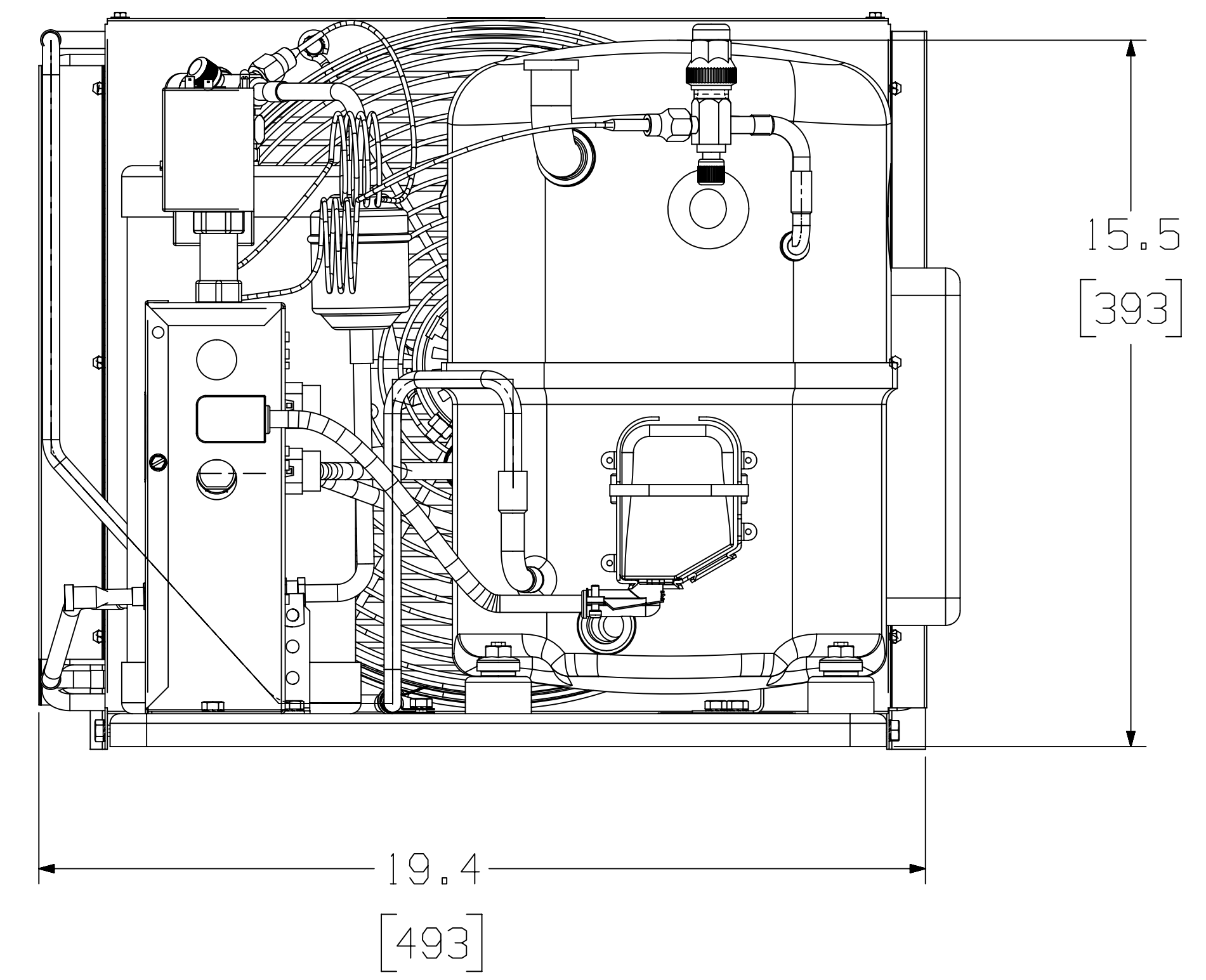
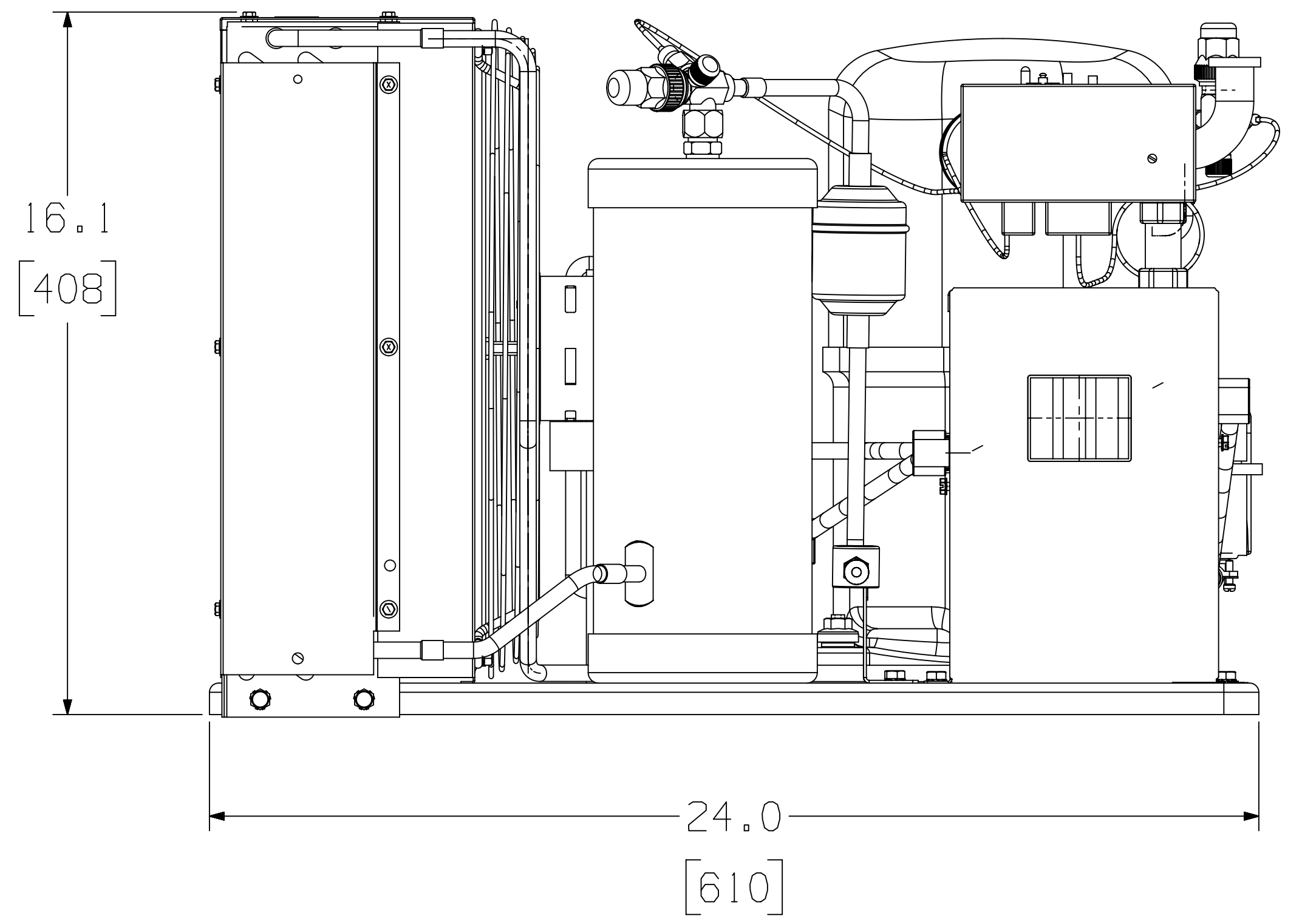


SCALE 1:4



NOTE:
DIMENSIONING = INCHES [MILLIMETERS]

ENGLISH

Q.A. SYMBOLS

- ★ = CATEGORY I
- ▲ = CATEGORY II
- = CATEGORY III
- = CATEGORY IV

UNIT

EC3400 A1P BD REMAIN TO DO 12FEB20		TS 09APR14		N. CLARK REVISIONS A 2" TO ADJUST TO 09AUG11		DATE EC32512		THIS DRAWING OR PRINT IS THE PROPERTY OF TECUMSEH PRODUCTS CO. IT IS TO BE USED ONLY FOR THE PROJECT AND NOT TO BE REPRODUCED OR COPIED IN ANY MANNER WITHOUT THE WRITTEN PERMISSION OF TECUMSEH PRODUCTS CO. ANY UNAUTHORIZED REPRODUCTION OR USE OF THIS DRAWING OR PRINT IS STRICTLY PROHIBITED.		DIS. CODE DESCRIPTION SALES CONDENSING UNIT DRAWING	
EC32596 VE PROTECTED 90°		EC340277 BE REVISIONS A 2" TO ADJUST TO 09AUG11		DATE EC32512		THIS DRAWING OR PRINT IS THE PROPERTY OF TECUMSEH PRODUCTS CO. IT IS TO BE USED ONLY FOR THE PROJECT AND NOT TO BE REPRODUCED OR COPIED IN ANY MANNER WITHOUT THE WRITTEN PERMISSION OF TECUMSEH PRODUCTS CO. ANY UNAUTHORIZED REPRODUCTION OR USE OF THIS DRAWING OR PRINT IS STRICTLY PROHIBITED.		DIS. CODE DESCRIPTION SALES CONDENSING UNIT DRAWING		SCALE 3:8 & NOTED	
EC32596 VE PROTECTED 90°		EC340277 BE REVISIONS A 2" TO ADJUST TO 09AUG11		DATE EC32512		THIS DRAWING OR PRINT IS THE PROPERTY OF TECUMSEH PRODUCTS CO. IT IS TO BE USED ONLY FOR THE PROJECT AND NOT TO BE REPRODUCED OR COPIED IN ANY MANNER WITHOUT THE WRITTEN PERMISSION OF TECUMSEH PRODUCTS CO. ANY UNAUTHORIZED REPRODUCTION OR USE OF THIS DRAWING OR PRINT IS STRICTLY PROHIBITED.		DIS. CODE DESCRIPTION SALES CONDENSING UNIT DRAWING		THIS PRINT SUPERSEDES ALL PRINTS PRIOR TO	
EC32596 VE PROTECTED 90°		EC340277 BE REVISIONS A 2" TO ADJUST TO 09AUG11		DATE EC32512		THIS DRAWING OR PRINT IS THE PROPERTY OF TECUMSEH PRODUCTS CO. IT IS TO BE USED ONLY FOR THE PROJECT AND NOT TO BE REPRODUCED OR COPIED IN ANY MANNER WITHOUT THE WRITTEN PERMISSION OF TECUMSEH PRODUCTS CO. ANY UNAUTHORIZED REPRODUCTION OR USE OF THIS DRAWING OR PRINT IS STRICTLY PROHIBITED.		DIS. CODE DESCRIPTION SALES CONDENSING UNIT DRAWING		DWG NO. SU1920-27	
EC32596 VE PROTECTED 90°		EC340277 BE REVISIONS A 2" TO ADJUST TO 09AUG11		DATE EC32512		THIS DRAWING OR PRINT IS THE PROPERTY OF TECUMSEH PRODUCTS CO. IT IS TO BE USED ONLY FOR THE PROJECT AND NOT TO BE REPRODUCED OR COPIED IN ANY MANNER WITHOUT THE WRITTEN PERMISSION OF TECUMSEH PRODUCTS CO. ANY UNAUTHORIZED REPRODUCTION OR USE OF THIS DRAWING OR PRINT IS STRICTLY PROHIBITED.		DIS. CODE DESCRIPTION SALES CONDENSING UNIT DRAWING		MATERIAL NOTED	