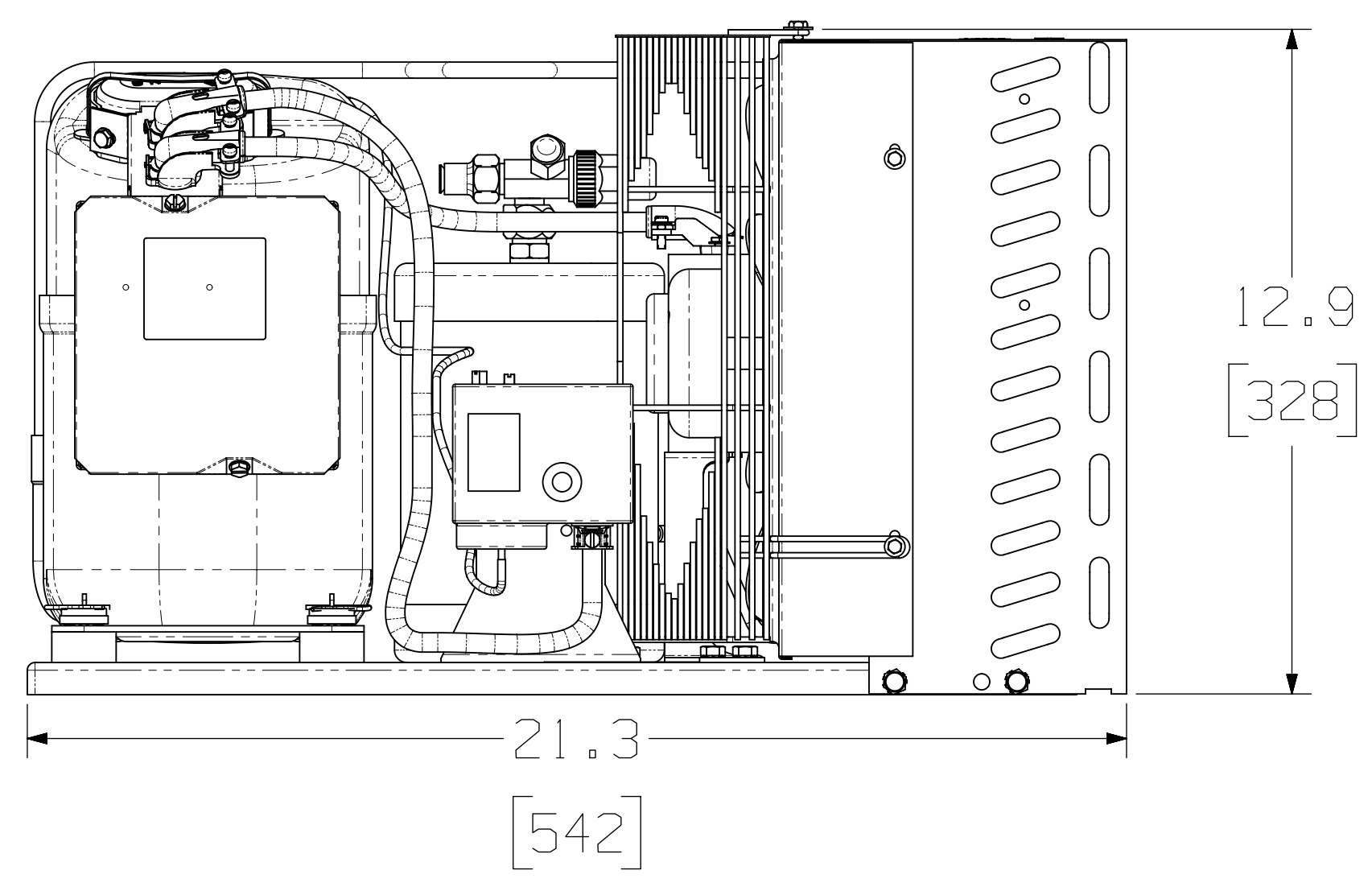
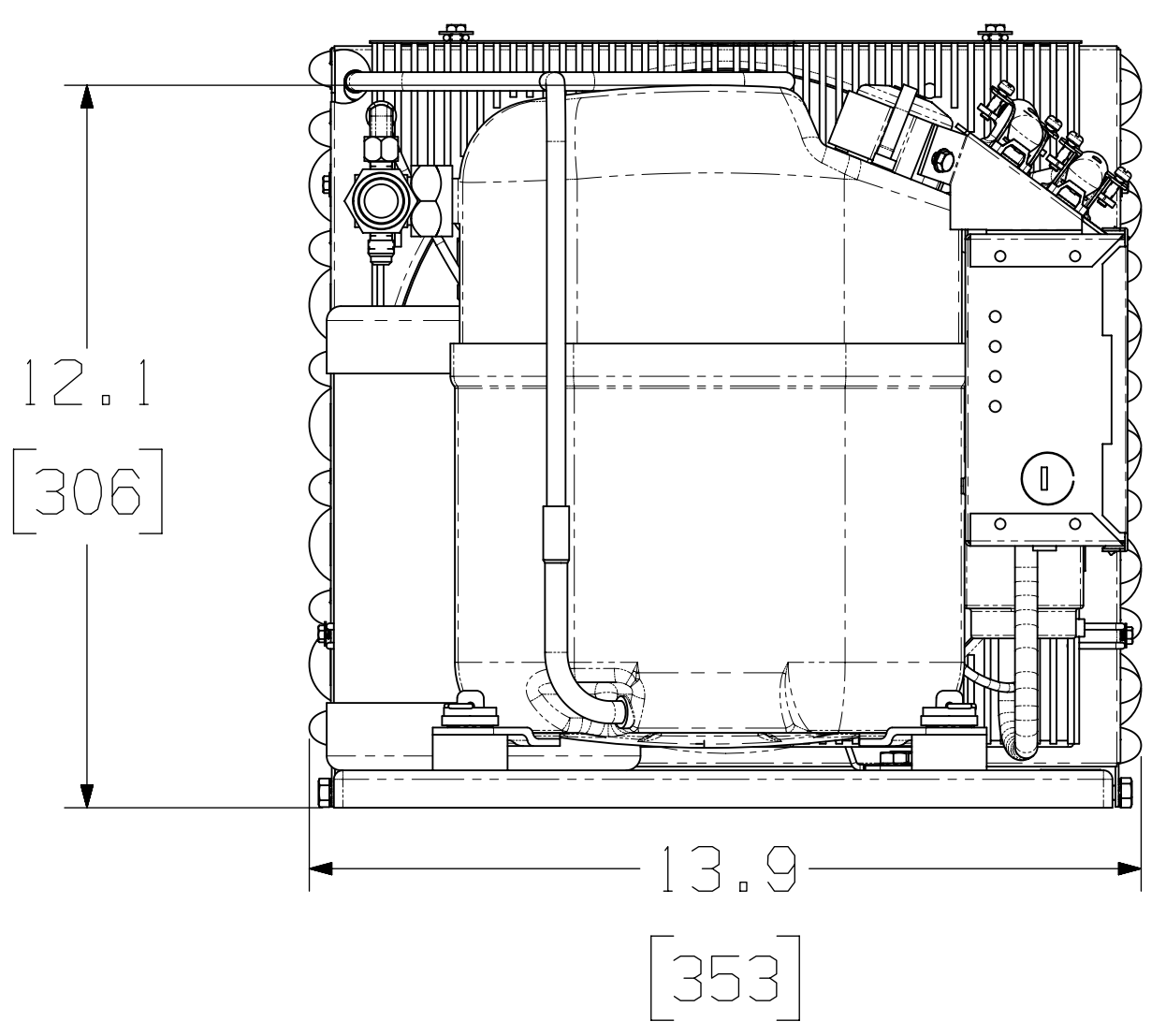


SCALE 1:5



NOTE
DIMENSIONING = INCHES (MILLIMETERS)

ENGLISH

Q. A. SYMBOLS

- ★ = CATEGORY I
- ▲ = CATEGORY II
- = CATEGORY III
- = CATEGORY IV

UNIT

REL	EC92546 ATP	LT	LC	CHANGE	DATE	<p>THIS DRAWING OR PRINT (1:1) IS THE PROPERTY OF TECUMSEH PRODUCTS CO. AND IS NOT TO BE REPRODUCED, COPIED, OR TRANSMITTED IN ANY MANNER WITHOUT THE WRITTEN CONSENT OF TECUMSEH PRODUCTS CO. ANY INFORMATION CONTAINED HEREIN IS UNCLASSIFIED AND IS AVAILABLE TO THE PUBLIC. ANY INFORMATION CONTAINED HEREIN THAT IS SPECIFICALLY IDENTIFIED AS UNCLASSIFIED SHALL BE DECLASSIFIED OR MADE AVAILABLE TO THE PUBLIC UPON REQUEST. ANY INFORMATION CONTAINED HEREIN THAT IS SPECIFICALLY IDENTIFIED AS CONFIDENTIAL OR PROPRIETARY SHALL REMAIN THE PROPERTY OF TECUMSEH PRODUCTS CO. AND IS NOT TO BE DISCLOSED OR MADE AVAILABLE TO THE PUBLIC WITHOUT THE WRITTEN CONSENT OF TECUMSEH PRODUCTS CO. ANY INFORMATION CONTAINED HEREIN THAT IS SPECIFICALLY IDENTIFIED AS CONFIDENTIAL OR PROPRIETARY SHALL BE DECLASSIFIED OR MADE AVAILABLE TO THE PUBLIC UPON REQUEST. ANY INFORMATION CONTAINED HEREIN THAT IS SPECIFICALLY IDENTIFIED AS CONFIDENTIAL OR PROPRIETARY SHALL REMAIN THE PROPERTY OF TECUMSEH PRODUCTS CO. AND IS NOT TO BE DISCLOSED OR MADE AVAILABLE TO THE PUBLIC WITHOUT THE WRITTEN CONSENT OF TECUMSEH PRODUCTS CO.</p>	DIS. CODE	DESCRIPTION
								SALES CONDENSING UNIT DRAWING
MATERIAL							NOTED	<p>SCALE 1:3 & NOTED</p> <p>THIS PRINT SUPERSEDES ALL PRINTS PRIOR TO</p> <p>DWG NO. SU1893-83</p>
<p>TECUMSEH PRODUCTS CO. ANN ARBOR, MICHIGAN</p>								