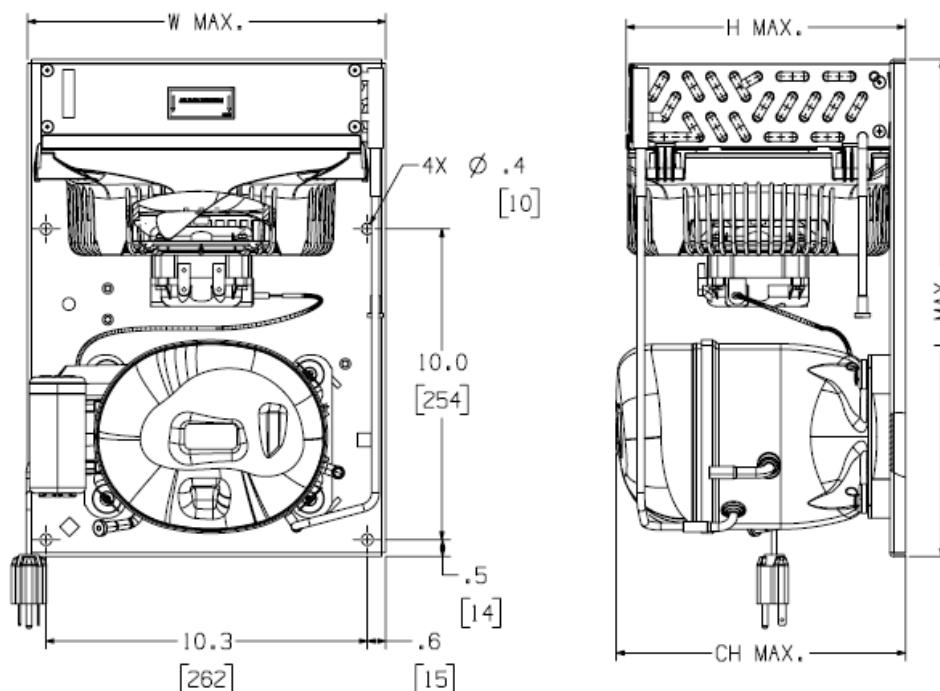




Indoor Condensing Unit Technical Data Sheet



Model: AE2420Z-AA1BSK BoM: 32F204-39S R-404A / R-448A / R-449A 1/2 HP



Model	Dimensions, inches				Line Connection*		Pumpdown	Air	Oil Ch	Gr. Wt.
	L	W	H	CH	Suction	Liquid	90 °F 90%	CFM	Oz.	Lbs.
AE2420Z-AA1BSK	16.0	11.5	9.0	9.3	5/16" S	1/4" S	N/A	190	9.5	40.0

* F = Flare, S = Solder, RF or RS = Rotolock with Flare or Solder Connections, C = Compression Fitting
Factory charge: 20 PSIG Nitrogen – **MUST BE EVACUATED**

Evaporator		R-404A Performance											
		80°F			90°F			100°F			110°F		
°F	PSIG	BTU/H	Watts	Cond T	BTU/H	Watts	Cond T	BTU/H	Watts	Cond T	BTU/H	Watts	Cond T
-40	4.5	1010	310	89	890	310	98	770	310	107	660	310	117
-35	7.0	1140	330	90	1020	330	99	890	330	108	770	330	117
-30	9.8	1300	350	92	1160	360	101	1030	360	110	900	360	118
-25	12.9	1470	380	93	1330	380	102	1180	390	111	1040	390	120
-20	16.2	1660	410	95	1510	410	103	1350	420	112	1190	420	121
-15	19.9	1870	430	96	1700	440	105	1530	450	114	1360	450	122
-10	23.8	2100	460	98	1910	470	107	1720	480	115	1540	480	124
-5	28.1	2330	490	100	2130	500	109	1930	510	117	1730	520	125
0	32.8	2580	520	102	2360	530	111	2140	540	119	1920	550	127
5	37.9	2840	550	105	2600	560	113	2360	570	121	2110	590	129
10	43.3	3100	590	107	2840	600	115	2580	610	123	2310	620	130

Performance @ 60Hz, Return Gas 40°F, Sub cooling 5°F

Evaporator		R-448A / R-449A Performance											
		80°F			90°F			100°F			110°F		
°F	PSIG	BTU/H	Watts	Cond T	BTU/H	Watts	Cond T	BTU/H	Watts	Cond T	BTU/H	Watts	Cond T
-40	0.0	794	277	92	707	273	101	620	269	111	532	265	120
-35	2.1	933	298	93	835	295	102	736	292	111	637	290	120
-30	4.4	1081	320	94	971	319	103	861	317	111	751	316	120
-25	7.0	1239	343	95	1117	344	104	996	344	112	875	344	121
-20	9.9	1406	369	97	1273	370	105	1140	372	114	1007	374	122
-15	13.0	1582	396	99	1438	399	107	1294	402	115	1149	405	124
-10	16.4	1767	424	101	1612	428	109	1456	433	117	1301	437	125
-5	20.2	1962	454	104	1795	460	112	1629	466	120	1462	471	127
0	24.3	2166	486	107	1988	493	115	1810	500	122	1632	507	130
5	28.7	2380	519	110	2190	527	118	2001	536	125	1811	545	133
10	33.5	2603	553	114	2402	563	121	2201	573	129	2000	583	136

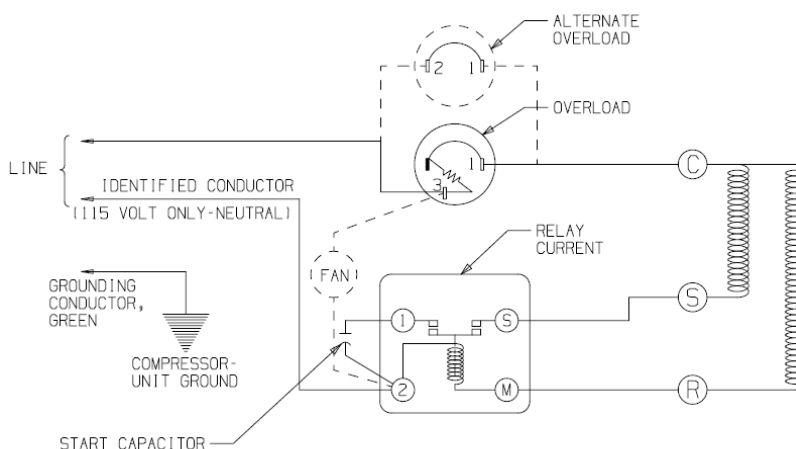
Performance @ 60Hz, Return Gas 40°F, Sub cooling 5°F

Specifications/ Parts:

Unit Model	AE2420Z-AA1BSK
Unit Bill of Material	32F204-39S
Refrigeration Range	-40° F to 10° F
Design Pressure Low	181
Design Pressure High	450
Nominal Volts-Hz-Ph	115/60/1
Voltage Range	103 to 127
Min. Circuit Ampacity	8.4
Max. Fuse Size (amps)	15
Compressor Model	AE2420Z-DS1B
Comp. Bill of Material	AE1322E-679-J7
Compressor RLA/LRA	6.3/45.0
Overload	830-10276
Relay	820-10232
Run Capacitor	N/A
Start Capacitor	85PS165C99

Fan Motor	810-10156
Fan Motor RLA	.62
Fan Blade	51593
Fan Shroud/Guard Combo	116-002P
Condenser	506-G434
Receiver Tank	N/A
Liquid Valve	N/A
Suction Valve	N/A
Power Cord	85106-10
High Pressure Switch	N/A
Unit Drawing	DGU1896-G103U
Wiring Diagram	MD472-1
Replacement Kit: Relay	K71-85
Replacement Kit: O/L	N/A
Replacement Kit: St. Cap	K146-28

Electrical Diagram



115 OR 230 V SCHEMATIC WIRING DIAGRAM - CS1R