

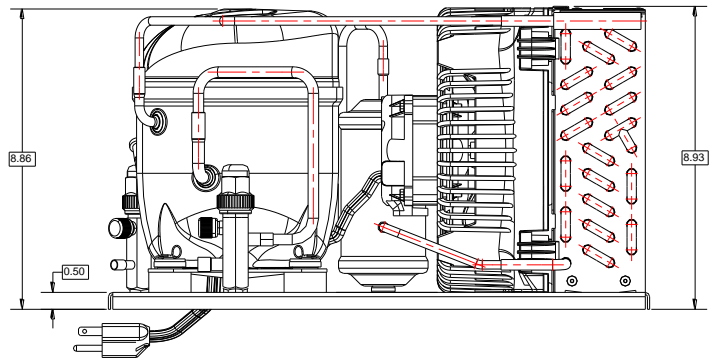
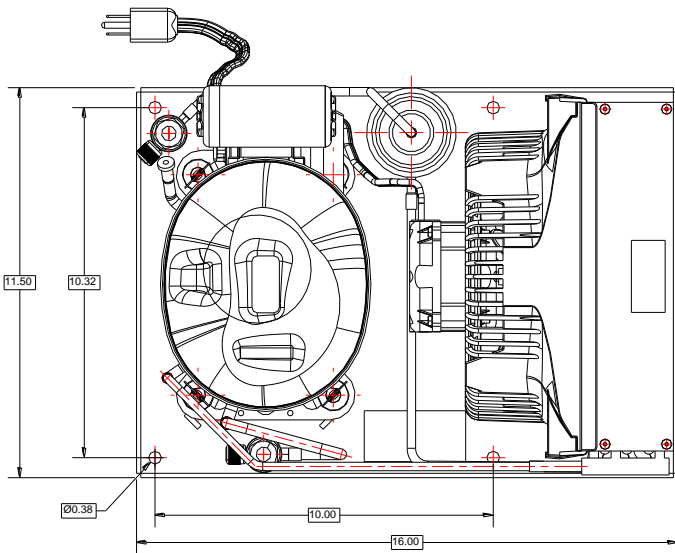
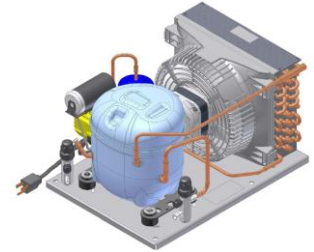


CELSEON® LOW PROFILE CONDENSING UNIT



Model AE2413Y-AA1BSK, -SB, -SC, -SS
BOM 32F324-39S, -49S, -59S, -69S

Air Cooled 1/3 HP
Application Low Temp
Refrigerant R134a
Volts-Hz-Ph 115/60/1



Model	Dimensions, inches (mm)			Line Connections		Pumpdown	AirFlow	Oil Ch.	Gross weight
	L	W	H	Suction	Liquid	90% @90°F	CFM	Oz.	Lbs. (kg)
AE2413Y-AA1BSK	16.0 (406)	11.5 (292)	8.9 (226)	5/16" Sweat	1/4" Sweat	n/a	190	9.5	38.1 (17.3)
AE2413Y-AA1BSB						1.71			38.7 (17.3)
AE2413Y-AA1BSC				3/8" Valve Sweat	1/4" Valve Sweat	n/a			39.5 (17.9)
AE2413Y-AA1BSS						n/a			38.9 (17.6)

Factory charge 20 PSIG dry air, **MUST BE EVACUATED**

Evaporator		Ambient Temperatures															
T, °F	PSIG	80°F				90°F				100°F				110°F			
		BTUH	Watts	Head	Cond T	BTUH	Watts	Head	Cond T	BTUH	Watts	Head	Cond T	BTUH	Watts	Head	Cond T
-40	*14.5"	510	230	96	85	470	220	114	95	430	220	134	105	390	220	157	114
-35	*12.8"	630	240	98	87	580	240	116	96	530	240	137	106	480	240	160	115
-30	*4.9"	760	260	101	88	700	260	119	98	640	260	140	107	580	260	163	117
-25	*3.4"	910	280	104	90	830	280	123	99	760	280	144	109	690	280	167	118
-20	*1.8"	1070	300	108	92	980	300	126	101	890	300	148	110	810	300	171	120
-15	0.0	1240	320	112	94	1140	320	131	103	1040	330	152	112	950	330	175	122
-10	2.1	1420	340	116	96	1310	350	135	105	1200	350	157	114	1090	360	181	123
-5	4.3	1610	370	121	98	1480	370	140	107	1360	380	162	116	1240	390	186	126
0	6.7	1810	390	126	101	1670	400	146	110	1530	410	168	119	1400	420	192	128
5	9.3	2020	420	131	103	1860	430	151	112	1710	440	174	121	1560	450	199	130
10	12.1	2230	450	137	106	2060	460	157	115	1890	470	180	123	1730	480	206	132

Performance @ 60 Hz, Return gas 40°F, SubCooling 5°F

Parts/Specifications			
Unit BOM	32F324-39S	Condenser	506-G434
Unit MODEL	AE2413Y-AA1BSK	Fan Guard	116-002P
		Condenser, Fan Guard Kit	K135-02
Refrigerant	R134a	Power Cord	85106-10
Refrigeration RANGE	-40°F to 10°F		
Design Pressure Low	150	Fan Motor	810L009B96
Design Pressure High	300	Fan Blade	4VEA010
Volts - HZ - Ph	115/60/1	Replacement Fan Motor	9W115
Voltage Range	103.5 - 126.5	Fan Motor, Blade, Guard assy	GFBG-109
Min. Circuit Ampacity	5.54	Fan Motor RLA	0.58
Max. Fuse Size	15		
Compressor MODEL	AE2413Y-AA1B	Unit BOM	32F324-49S
Compressor BOM	AE-1240-E	Unit MODEL	AE2413Y-AA1BSB
Compressor LRA	29	Liquid Receiver	51085-1
Compressor RLA	3.97		
		Unit BOM	32F324-59S
OverLoad	T9232-24-ZP	Unit MODEL	AE2413Y-AA1BSC
Replacement Kit - O/L	K90-80	Liquid Receiver	51085-1
Relay	RP5908-ZR	Liquid Valve	56605
Replacement Kit - Relay	K71-57	Suction Valve	56604
Run Capacitor			
Run Capacitor Rating			
Start Capacitor	85PS165E16	Unit BOM	32F324-69S
Replacement Kit - Start Cap	K146-55	Unit MODEL	AE2413Y-AA1BSS
Start Capacitor Rating	324-389 MFD 165V	Liquid Valve	56605
		Suction Valve	56604
Unit drawing DGU	DGU1896-G103		
Electrical Diagram	DEAE-10		

