

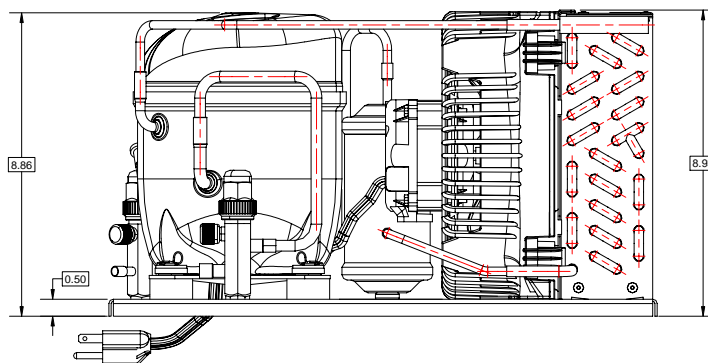
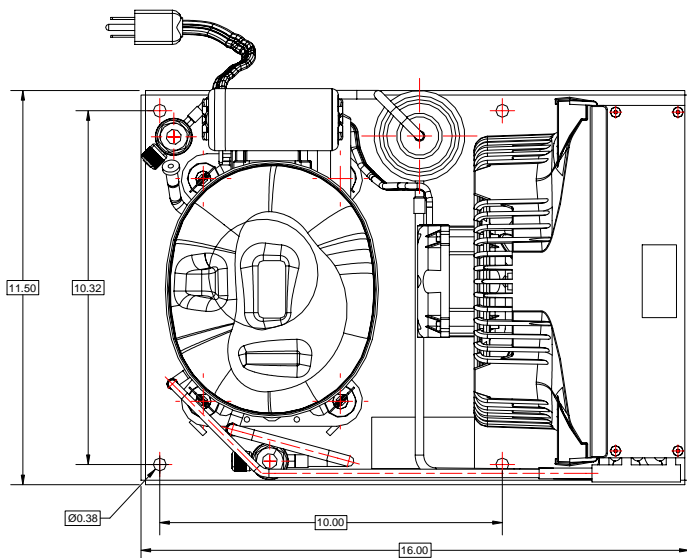
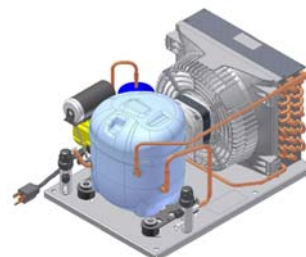


CELSEON[®] LOW PROFILE CONDENSING UNIT



Model AE4440Y-AA1ASK, -SB, -SC, -SS
BOM 32F360-39S, -49S, -59S, -69S

Air Cooled 1/3 HP
Application High Temp
Refrigerant R134a
Volts-Hz-Ph 115-60-1



| Model | Dimensions, inches (mm) | | | Line Connections | | Pumpdown | AirFlow | Oil Ch. | Gross weight |
|----------------|-------------------------|---------------|--------------|------------------|------------------|-----------|---------|---------|--------------|
| | L | W | H | Suction | Liquid | 90% @90°F | CFM | Oz | Lbs (kg) |
| AE4440Y-AA1ASK | 16. (406) | 11.5 (292) | 8.9 (226) | 5/16" Sweat | 1/4" Sweat | n/a | 190 | 9.5 | 38.1 (17.3) |
| AE4440Y-AA1ASB | | | | | | 1.83 | | | 38.7 (13.0) |
| AE4440Y-AA1ASC | | | | 3/8" Valve Sweat | 1/4" Valve Sweat | n/a | | | 39.5 (17.9) |
| AE4440Y-AA1ASS | | | | | | n/a | | | 38.9 (17.6) |

Factory charge 20 PSIG dry air, **MUST BE EVACUATED**

| Evaporator | | Ambient Temperatures | | | | | | | | | | | | | | | |
|------------|------|----------------------|-------|------|--------|-------------|------------|------------|------------|-------|-------|------|--------|-------|-------|------|--------|
| | | 80°F | | | | 90°F | | | | 100°F | | | | 110°F | | | |
| T, °F | PSIG | BTUH | Watts | Head | Cond T | BTUH | Watts | Head | Cond T | BTUH | Watts | Head | Cond T | BTUH | Watts | Head | Cond T |
| 10 | 12.1 | 2020 | 370 | 122 | 99 | 1880 | 380 | 143 | 108 | 1700 | 400 | 166 | 118 | 1570 | 400 | 188 | 126 |
| 15 | 15.2 | 2260 | 390 | 127 | 101 | 2100 | 410 | 148 | 111 | 1930 | 420 | 171 | 120 | 1760 | 430 | 195 | 128 |
| 20 | 18.6 | 2510 | 410 | 132 | 104 | 2340 | 430 | 154 | 113 | 2150 | 440 | 177 | 122 | 1970 | 460 | 202 | 131 |
| 25 | 22.3 | 2780 | 440 | 138 | 106 | 2580 | 460 | 161 | 116 | 2390 | 470 | 184 | 125 | 2180 | 490 | 210 | 133 |
| 30 | 26.3 | 3050 | 460 | 144 | 109 | 2830 | 490 | 168 | 119 | 2620 | 500 | 191 | 127 | 2390 | 520 | 218 | 136 |
| 35 | 30.6 | 3340 | 490 | 152 | 112 | 3100 | 520 | 176 | 122 | 2860 | 540 | 200 | 130 | 2620 | 560 | 227 | 139 |
| 40 | 35.2 | 3650 | 520 | 159 | 115 | 3370 | 550 | 184 | 125 | 3110 | 570 | 209 | 133 | 2850 | 600 | 236 | 142 |
| 45 | 40.3 | 3970 | 560 | 168 | 119 | 3650 | 590 | 193 | 128 | 3360 | 610 | 218 | 136 | 3080 | 640 | 246 | 145 |
| 50 | 45.6 | 4300 | 590 | 177 | 122 | 3950 | 620 | 203 | 131 | 3610 | 650 | 227 | 139 | 3330 | 680 | 257 | 148 |
| 55 | 51.4 | 4640 | 630 | 187 | 126 | 4250 | 660 | 214 | 135 | 3870 | 700 | 240 | 143 | 3580 | 730 | 268 | 152 |

Performance @ 60 Hz, Return gas 65°F, SubCooling 5°F

Parts/Specifications

| | | | |
|-------------------------|-----------------------|------------------------------|-----------------------|
| Unit BOM | 32F360-39S | Condenser | 506-G434 |
| Unit MODEL | AE4440Y-AA1ASK | Fan Guard | 116-002P |
| | | Condenser, Fan Guard Kit | K135-02 |
| Refrigerant | R134a | Power Cord | 85106-10 |
| Refrigeration RANGE | 20°F to 55°F | | |
| Design Pressure Low | 150 | Fan Motor | NUT6B09PUN301 |
| Design Pressure High | 300 | Fan Motor RLA | 0.58 |
| Volts - HZ - Ph | 115V ~ 60HZ | Fan Blade | 4VEA010 |
| Voltage Range | 103.5 - 126.5 | Replacement Fan Motor | 9W115 |
| Min. Circuit Ampacity | 7.86 | Fan Motor, Blade, Guard assy | GFBG-109 |
| Max. Fuse Size | 15 | | |
| | | | |
| Compressor MODEL | AE4440Y-AA1A | | |
| Compressor BOM | AE-1022-E | | |
| Compressor LRA | 32 | Unit BOM | 32F360-49S |
| Compressor RLA | 5.82 | Unit MODEL | AE4440Y-AA1ASB |
| | | Liquid Receiver | 51085-1 |
| OverLoad | 830-10024 | | |
| Replacement Kit - O/L | K90-56 | Unit BOM | 32F360-59S |
| Relay | 820-10031 | Unit MODEL | AE4440Y-AA1ASC |
| Replacement Kit - Relay | K71-36 | Liquid Receiver | 51085-1 |
| Run Capacitor | | Liquid Valve | 56605 |
| Run Capacitor Rating | | Suction Valve | 56604 |
| Start Capacitor | 85PS165D64 | | |
| Start Capacitor Rating | 324-389 MFD 165V | Unit BOM | 32F360-69S |
| | | Unit MODEL | AE4440Y-AA1ASS |
| Unit drawing DGU | DGU1896-G103 | Liquid Valve | 56605 |
| Electrical Diagram | DEAE-10 | Suction Valve | 56604 |

