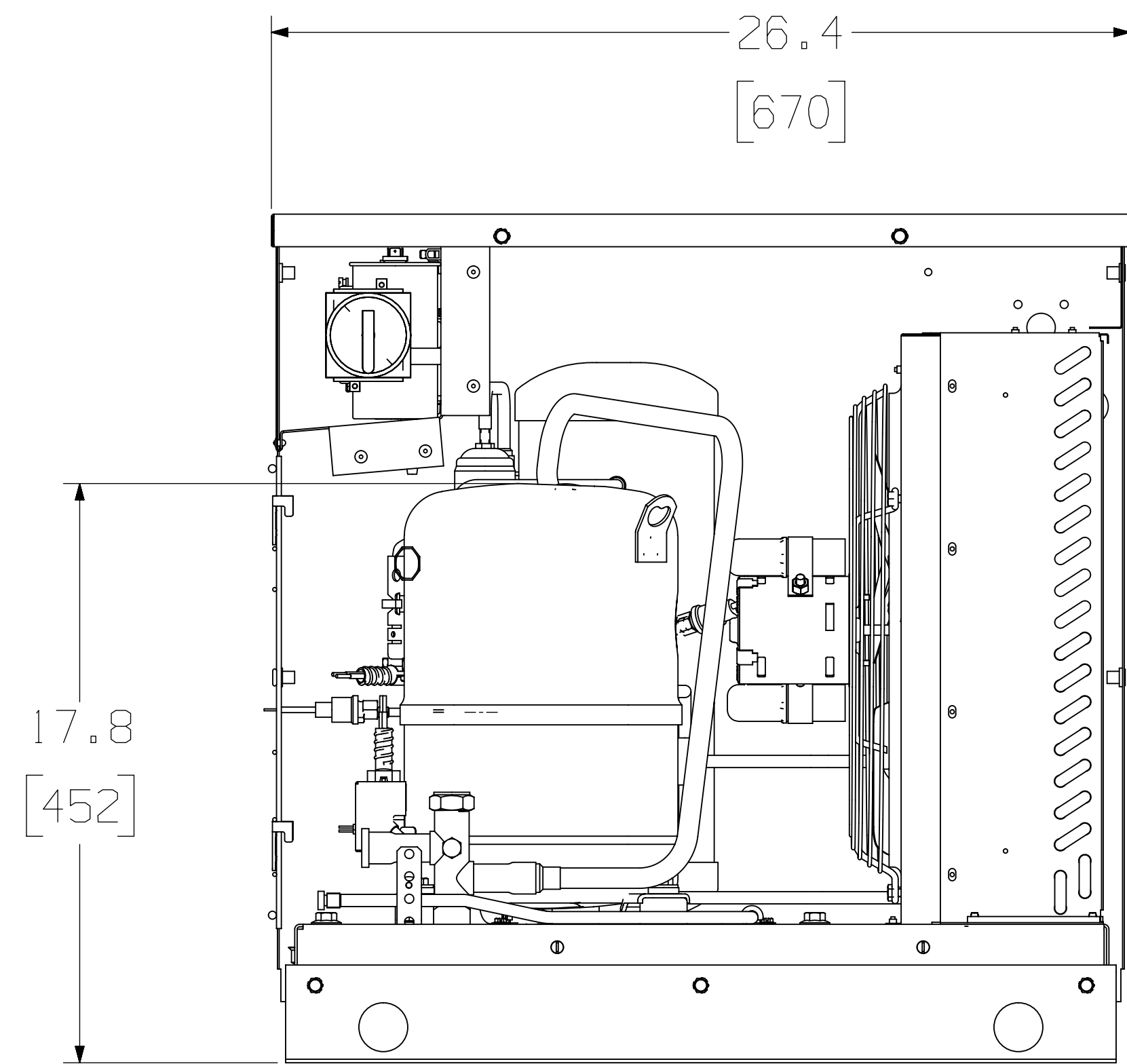
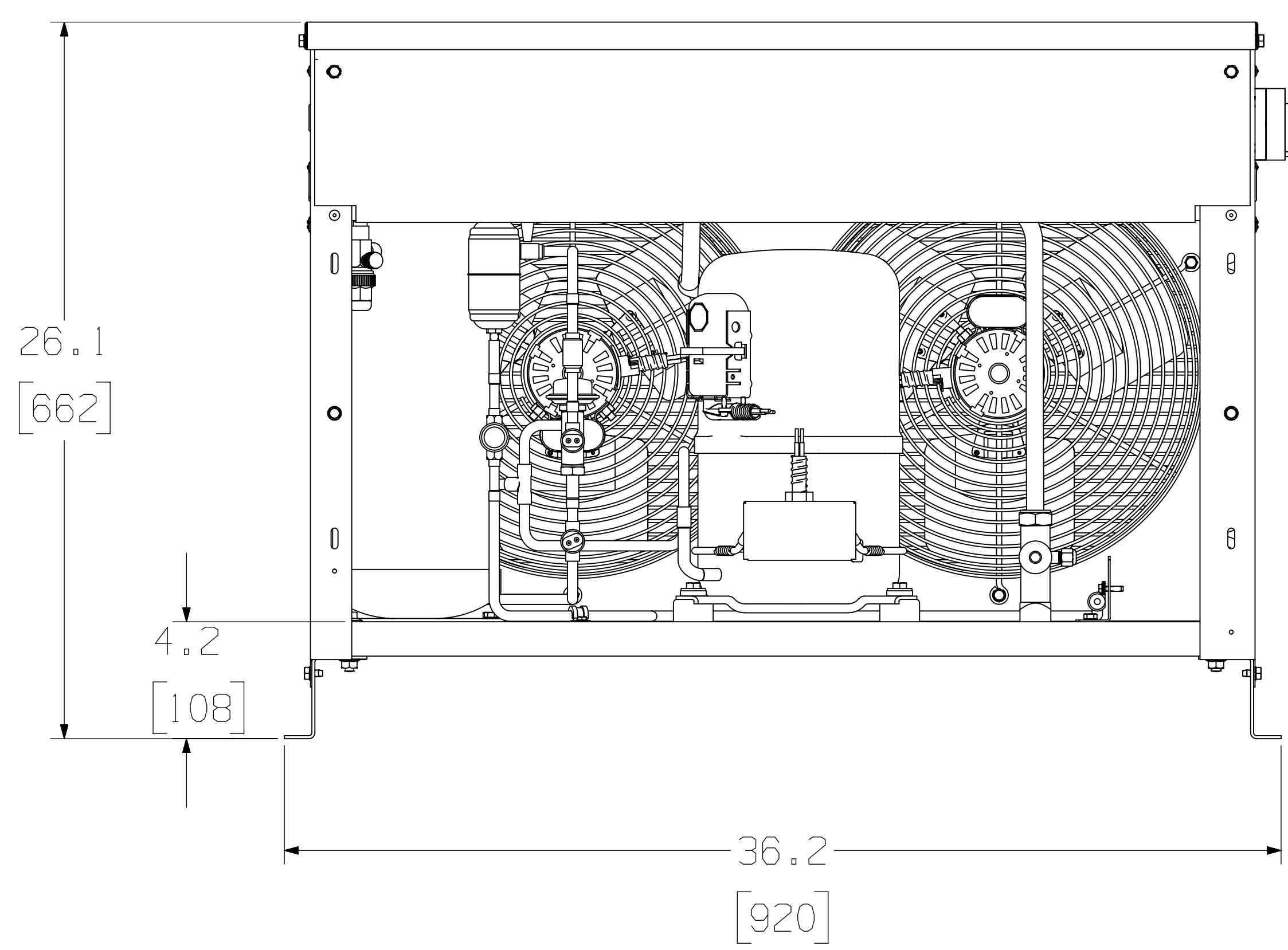


SCALE 3:16



NOTE:  
DIMENSIONING = INCHES [MILLIMETERS]

ENGLISH	
Q.A. SYMBOLS	
★	CATEGORY I
▲	CATEGORY II
■	CATEGORY III
□	CATEGORY IV

TECUMSEH A/P ED. REDMAN ON LG. TEL. 616-963-2626		THIS DRAWING OR PORTION THEREOF IS THE PROPERTY OF TECUMSEH PRODUCTS CO. IT IS TO BE USED ONLY FOR THE SPECIFIC PROJECT AND SHALL NOT BE REPRODUCED OR TRANSMITTED IN ANY FORM OR BY ANY MEANS, ELECTRONIC OR MECHANICAL, INCLUDING PHOTOCOPYING, RECORDING, OR BY ANY INFORMATION STORAGE AND RETRIEVAL SYSTEM, WITHOUT THE WRITTEN PERMISSION OF TECUMSEH PRODUCTS CO.		DIS. CODE DESCRIPTION SALES OUTDOOR UNIT DRAWING SCALE .25 & NOTED THIS PRINT SUPERSEDES ALL PRINTS PRIOR TO THIS DATE. ANN ARBOR, MICHIGAN		THIS PRINT SUPERSEDES ALL PRINTS PRIOR TO THIS DATE. ANN ARBOR, MICHIGAN	
MATERIAL NOTED		DWG NO. SU1918-L021					