

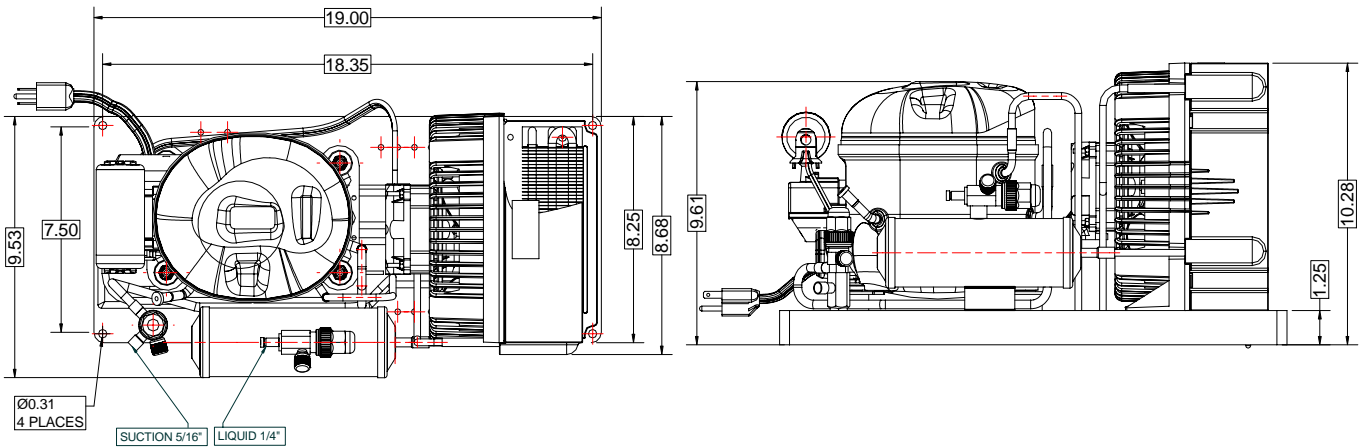
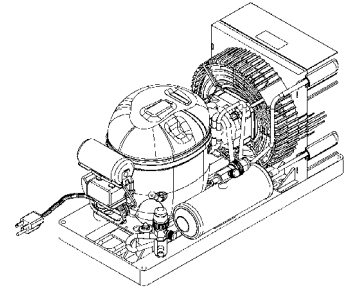


TECUMSEH HERMETIC CONDENSING UNIT

AE4430Y-AA1AGL
Revision: REL
May 7, 2012

Model AE4430Y-AA1AGL, GK, GB, GC
BOM 32Y430-2, -3, -4, -5

Air Cooled 1/4 HP
Application High Temp
Refrigerant R 134a



Model	Dimensions (inch)			Line connections		Pumpdown	Air flow	Oil Ch.	Gross weight
	L	W	H	Suction	Liquid	90% @90°F	CFM	Oz	Lbs
AE4430Y-AA1AGL	19	8.7	10.3	5/16 Sweat	1/4 Sweat	n/a	242	16	39.6
AE4430Y-AA1AGK	19	9.7	10.3			1.78			40.2
AE4430Y-AA1AGB				2.16	40.8				
AE4430Y-AA1AGC				5/16 Valve Sweat	1/4 Valve Sweat				

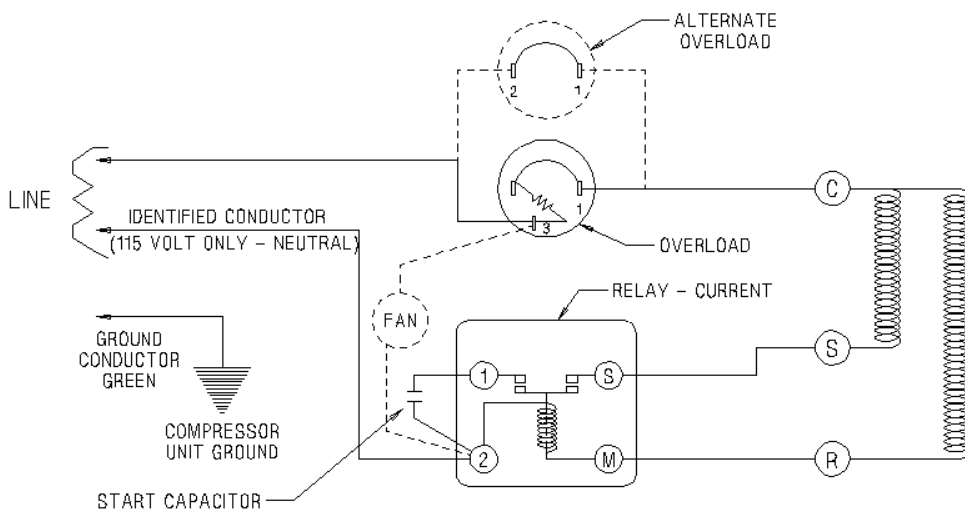
Factory charge 20 psig dry air, **MUST BE EVACUATED**

Evaporator		Ambient Temperatures															
		80°F				90°F				100°F				110°F			
°F	Psig	BTUH	Watts	Head	Cond T	BTUH	Watts	Head	Cond T	BTUH	Watts	Head	Cond T	BTUH	Watts	Head	Cond T
20	18.4	2020	340	136	105	1870	350	157	114	1730	360	180	123	1580	370	205	131
25	22.1	2270	360	143	108	2090	380	165	117	1940	380	188	126	1750	390	213	134
30	26.0	2510	380	151	111	2310	400	173	120	2150	410	197	129	1940	420	222	137
35	30.3	2750	410	159	114	2540	420	182	123	2360	430	206	132	2140	450	231	140
40	35.0	2990	430	169	118	2760	450	192	127	2580	460	216	135	2350	480	241	143
45	40.0	3220	460	179	122	2990	470	202	130	2800	490	222	138	2570	510	252	146
50	45.3	3450	490	190	126	3220	500	212	134	3030	520	234	141	2800	540	263	150

Performance @ 60 Hz, Return gas 65°F, SubCooling 5°F

Parts/Specifications

Unit BOM	32Y430-2	Condenser	50733-G02
Unit MODEL	AE4430Y-AA1AGL	Shroud	71030-GS
		Fan Guard	71030-GB
Refrigeration RANGE	20°F to 55°F		
Design Pressure Low	150	Replacement Fan Motor	6W115
Design Pressure High	300	F. M., blade, guard assy	XFBG-106
Volts - HZ - Ph	115-60-1	F. M., blade, guard, shroud assy	XFBGS-106
Voltage Range	126.5 to 103.5		
Min. Circuit Ampacity	6.53	Electrical Diagram	DEAE-10
Max. Fuse Size	15	Unit Drawing	DGBU-061
Compressor MODEL	AE4430Y-AA1A	Unit BOM	32Y430-3
Compressor BOM	AE-1023-E	Unit MODEL	AE4430Y-AA1AGK
Compressor LRA	27.5	Power Cord	85106-10
Compressor RLA	4.91	Unit Drawing	DGBU-061
OverLoad	830-10043	Unit BOM	32Y430-4
Relay	820-10030	Unit MODEL	AE4430Y-AA1AGB
Run Capacitor		Receiver	51085-1H
Run Capacitor Rating		Unit Drawing	DGBU-061R
Start Capacitor	85PS110C76		
Start Capacitor Rating	243-292 MFD 110V	Unit BOM	32Y430-5
		Unit MODEL	AE4430Y-AA1AGC
Fan Motor	NUT6B06ZUN301	Receiver w/Liquid Valve	51085-1HV
Fan Motor RLA	0.41	Suction Valve	56580-1
Fan Blade	4VEA009	Unit Drawing	DGBU-061V



115 OR 230 VOLT - SCHEMATIC WIRING DIAGRAM - CSIR
REF. DWG. MD472-1

WARNING - WIRING DIAGRAM MUST BE FOLLOWED AS SHOWN. ANY MISWIRING CAN CAUSE SERIOUS ELECTRICAL HAZARD AND POTENTIAL DAMAGE OR RUPTURE OF COMPONENT ELECTRICAL PARTS