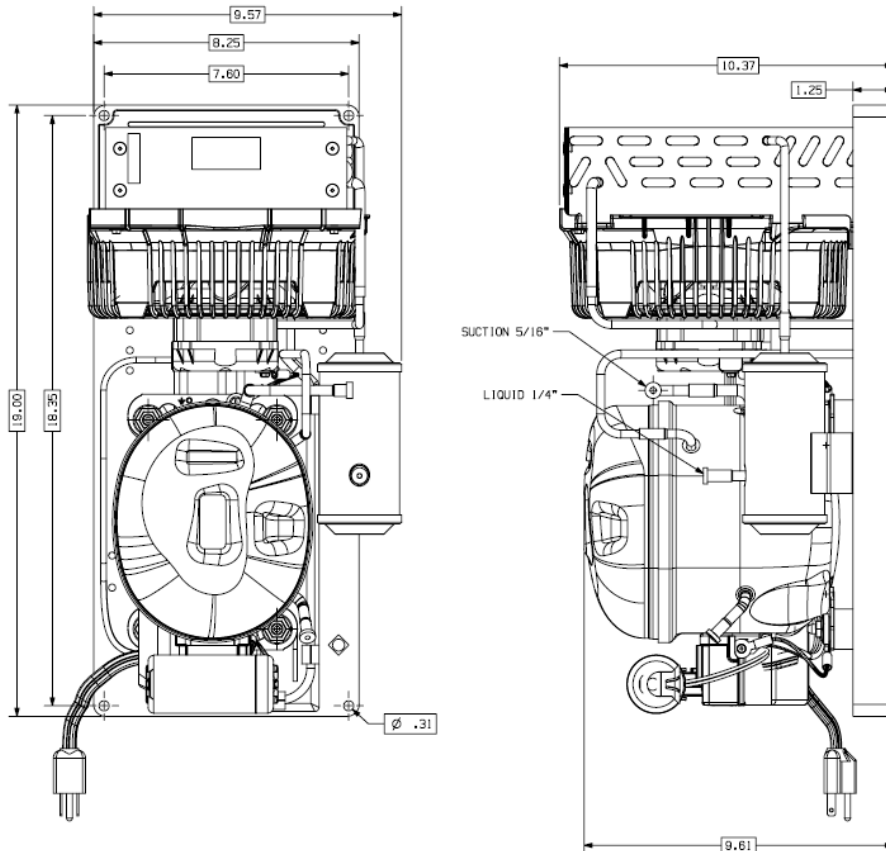




Indoor Condensing Unit Technical Data Sheet

September 14, 2018
Revision: C

Model: AE4440Z-AA1AGB
BoM: 33Y364-49
Air Cooled: 1/3 HP
Application: High/Commercial Temp
Refrigerant: R-404A/R-407A/R-448A/R-449A/R-452A
Voltage: 115/60/1



Refrigerant	Dimensions, inches				Line Connection*		Pumpdown	Air	Oil Ch	Gr. Wt.
	L	W	H	CH	Suction	Liquid	90 °F 90%	SCFM	Oz.	Lbs.
R-404A	19.0	9.57	10.37	9.61	5/16" S	1/4" S	1.2 lbs.	242	9.5	40.2
R-407A							1.3 lbs.			
R-448A / R-449A							1.3 lbs.			
R-452A							1.3 lbs.			

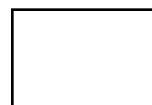
* F = Flare, S = Solder, RF or RS = Rotolock with Flare or Solder Connections, C = Compression Fitting

Units are Factory Charged with 20 psig of dry air. **MUST BE EVACUATED**



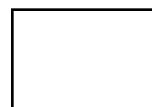
AE4440Z-AA1AGB R-404A Performance													
Performance @ 60Hz, Return Gas 40°F for 20°F and Below Evaporator and 65°F above 20°F Evaporator, Sub cooling 5°F													
		Ambient Temperatures											
Evaporator T		80°F			90°F			100°F			110°F		
°F	PSIG	BTUH	Watts	Cond T	BTUH	Watts	Cond T	BTUH	Watts	Cond T	BTUH	Watts	Cond T
-10	23.9	1270	310	98	1120	310	107	980	310	116	850	320	124
-5	28.2	1420	330	101	1260	340	109	1110	340	118	960	340	126
0	32.8	1600	350	103	1420	360	112	1240	360	120	1080	370	128
5	37.9	1780	370	106	1580	380	114	1390	390	123	1200	400	131
10	42.4	1970	400	109	1750	400	117	1540	410	125	1330	420	133
15	48.2	2160	420	112	1920	430	120	1690	440	128	1460	450	136
20	54.5	2350	440	115	2090	450	123	1840	460	131	1590	470	138
25	61.2	2720	470	118	2440	490	126	2160	500	134	1890	520	141
30	68.4	2930	500	121	2620	510	129	2320	530	136	2030	540	144
35	76.1	3140	520	125	2810	540	132	2480	550	139	2160	570	146
40	84.4	3340	540	128	2980	560	135	2630	580	142	2290	600	149
45	94.2	3544	565	132	3180	585	138	2790	610	145	---	---	---

AE4440Z-AA1AGB R-407A Performance													
Performance @ 60Hz, Return Gas 40°F for 20°F and Below Evaporator and 65°F above 20°F Evaporator, Sub cooling 5°F													
		Ambient Temperatures											
Evaporator T		80°F			90°F			100°F			110°F		
°F	PSIG	BTUH	Watts	Cond T	BTUH	Watts	Cond T	BTUH	Watts	Cond T	BTUH	Watts	Cond T
-10	14.9	1041	307	95	930	308	104	820	309	113	710	310	121
-5	18.5	1185	327	98	1071	330	107	958	332	115	844	335	123
0	22.5	1338	347	102	1221	352	109	1104	356	117	987	361	125
5	26.9	1499	368	105	1379	374	113	1258	380	120	1137	387	127
10	31.6	1668	389	109	1544	397	116	1421	405	123	1297	414	129
15	36.7	1846	411	113	1719	421	119	1591	431	126	1464	441	132
20	42.3	2032	434	117	1901	446	123	1770	457	129	1640	469	135
25	48.3	2226	457	121	2092	471	127	1958	484	132	1824	498	138
30	54.8	2429	481	126	2291	497	131	2153	512	136	2016	527	141
35	61.8	2639	506	131	2498	523	135	2357	540	139	2216	557	144
40	69.4	2858	531	136	2714	550	140	2570	568	143	2425	587	147
45	77.4	3086	557	141	2938	577	144	2790	598	148	---	---	---



AE4440Z-AA1AGB R-448A/R-449A Performance													
Performance @ 60Hz, Return Gas 40°F for 20°F and Below Evaporator and 65°F above 20°F Evaporator, Sub cooling 5°F													
		Ambient Temperatures											
Evaporator T		80°F			90°F			100°F			110°F		
°F	PSIG	BTUH	Watts	Cond T	BTUH	Watts	Cond T	BTUH	Watts	Cond T	BTUH	Watts	Cond T
-10	16.4	1112	313	95	986	315	104	860	317	112	733	319	121
-5	20.2	1340	335	97	1198	338	105	1056	341	113	914	345	122
0	24.3	1562	356	100	1404	361	107	1246	366	115	1089	370	123
5	28.7	1778	378	102	1605	384	110	1432	390	117	1259	396	125
10	33.5	1990	400	106	1801	408	113	1612	415	120	1424	423	127
15	38.8	2197	422	109	1992	431	116	1788	440	123	1583	449	130
20	44.4	2398	445	113	2178	456	120	1958	466	127	1738	476	133
25	50.6	2594	468	118	2358	480	124	2123	492	130	1887	503	137
30	57.1	2785	492	123	2533	505	129	2282	518	135	2031	531	141
35	64.2	2970	516	129	2704	530	134	2437	545	140	2170	559	145
40	71.8	3151	540	135	2868	556	140	2586	571	145	---	---	---
45	80	3326	564	141	3028	581	146	---	---	---	---	---	---

AE4440Z-AA1AGB R-452A Performance													
Performance @ 60Hz, Return Gas 40°F for 20°F and Below Evaporator and 65°F above 20°F Evaporator, Sub cooling 5°F													
		Ambient Temperatures											
Evaporator T		80°F			90°F			100°F			110°F		
°F	PSIG	BTUH	Watts	Cond T	BTUH	Watts	Cond T	BTUH	Watts	Cond T	BTUH	Watts	Cond T
-10	20.4	1304	355	95	1165	357	104	1026	360	113	887	362	121
-5	24.4	1475	374	97	1313	378	105	1152	382	114	990	386	123
0	28.9	1661	393	99	1477	399	107	1292	404	116	1108	410	125
5	33.7	1862	413	100	1655	420	109	1447	427	118	1240	435	126
10	38.8	2077	432	102	1847	441	111	1618	450	119	1388	459	128
15	44.4	2308	452	104	2055	463	113	1802	473	121	1550	484	130
20	50.5	2553	472	107	2277	484	115	2002	497	123	1727	509	131
25	57	2813	492	109	2515	506	117	2217	520	125	1919	535	133
30	64	3087	513	111	2767	528	119	2446	544	127	2125	560	135
35	71.4	3377	533	113	3033	551	121	2690	568	129	2347	586	137
40	79.4	3681	554	116	3315	574	123	2949	593	131	2583	612	139
45	88	4000	575	118	3611	596	126	3223	617	134	2834	638	142

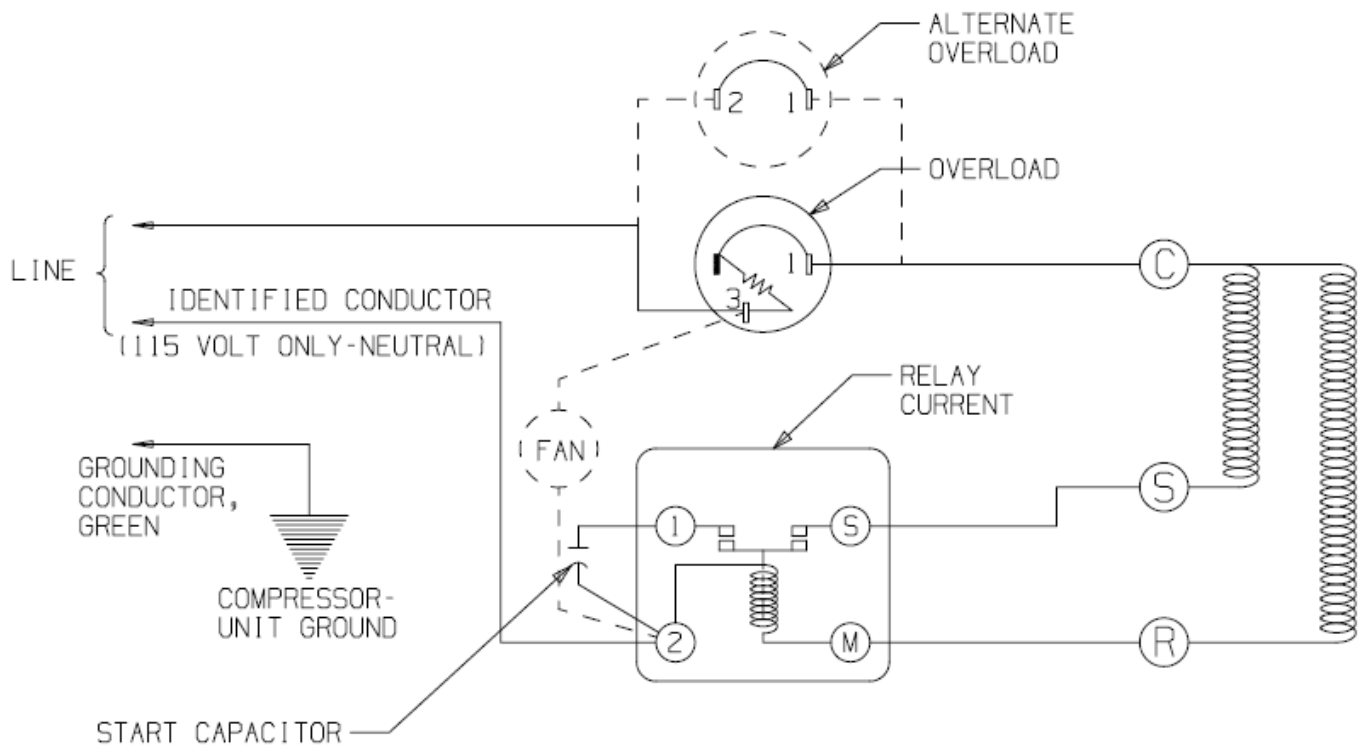


Specifications/ Parts:

Unit Model	AE4440Z-AA1AGB
Unit Bill of Material	33Y364-49
Refrigeration Range	-10° to 45°F
Design Pressure Low	181
Design Pressure High	450
Nominal Volts/Hz/Ph	115/60/1
Voltage Range	103-127
Min. Circuit Ampacity	8.46
Max. Fuse Size (amps)	15
Compressor Model	AE4440Z-AA1A
Comp. Bill of Material	AE1168E-209-J7
Compressor RLA/LRA	6.3 / 36
Overload	830-10116
Relay	820-10078
Run Capacitor	N/A
Start Capacitor	85PS165C99

Fan Motor	810L009B96
Fan Motor RLA	0.58
Fan Blade	51578
Fan Guard	116-003P
Fan Shroud	N/A
Condenser	50734-G04
Receiver Tank	51085-1H
Liquid Valve	N/A
Suction Valve	N/A
Power Cord	85106-10
High Pressure Switch	N/A
Unit Drawing	DGBU-062R
Wiring Diagram	MD472-1
Replacement Kit: Relay	K71-41
Replacement Kit: O/L	K90-67
Replacement Kit: St. Cap	K146-28

Electrical Diagram



115 OR 230 V SCHEMATIC WIRING DIAGRAM - CSIR

