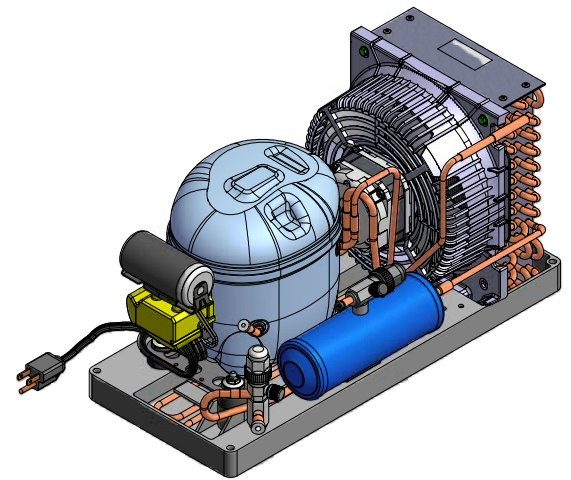


REVISION HISTORY			
REV	DESCRIPTION	DATE	APPROVED
REL.	EC47574	8/29/2012	genc.jani
A	EC49985	1/11/2013	genc.jani
B	EC50430	3/8/2013	genc.jani
C	EC49927	6/3/2013	genc.jani
D	EC55641	11/19/2013	genc.jani
E	EC57283	2/26/2014	genc.jani
F	EC59309	7/3/2014	genc.jani



DESCRIPTION			
HERMETIC CONDENSING UNIT			
THIRD ANGLE	MATERIAL	DIMENSION	 DWG NO. SUGB-062V
DESIGN DATE	8/29/2012	DWN. g.jani	
LAST REVIEW	2/26/2014	CHK. genc.jani	
ARCHIVE			