



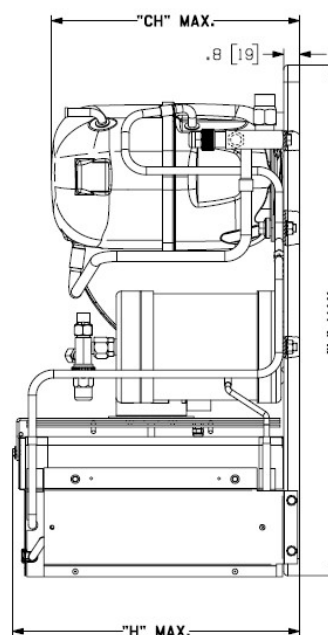
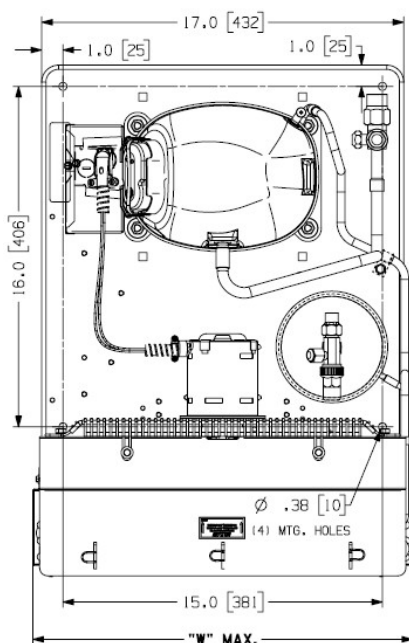
Indoor Condensing Unit Technical Datasheet

Model: AJ9486E-XD3AXC

BoM: 392A1183-1

R-22

1 HP



Model	Dimensions, inches				Line Connection*		Pumpdown	Air	Oil Ch	Gr. Wt.
	L	W	H	CH	Suction	Liquid	90 °F 90%	SCFM	Oz.	Lbs.
AJ9486E-XD3AXC	24.0	17.8	13.5	11.7	5/8" F	3/8" F	7 lbs.	600	16	101

* F = Flare, S = Solder, RF or RS = Rotolock with Flare or Solder Connections, C = Compression Fitting
Factory charge: 20 PSIG Nitrogen – **MUST BE EVACUATED**

Evaporator T,		Ambient Temperatures								
		90°F			100°F			110°F		
°F	PSIG	BTUH	Watts	Cond T	BTUH	Watts	Cond T	BTUH	Watts	Cond T
-10	16.5	3600	1010	104	---	---	---	---	---	---
-5	20.0	4300	1090	106	3700	1100	111	---	---	---
0	24.0	5100	1170	108	4500	1190	113	---	---	---
5	28.2	5900	1250	110	5200	1270	115	4700	1300	121
10	32.8	6800	1330	113	6100	1360	118	5500	1390	124
15	37.7	7700	1420	115	6900	1450	120	6300	1480	126
20	43.0	8600	1500	117	7800	1530	123	7100	1570	129
25	48.8	9500	1580	120	8600	1620	126	7900	1670	133
30	54.8	10400	1670	123	9500	1710	129	8800	1760	137
35	61.5	11400	1760	126	10500	1810	133	9700	1860	141
40	68.5	12400	1850	130	11400	1910	136	---	---	---
45	76.0	13400	1950	133	12300	2101	139	---	---	---

60 Hz Performance

Return gas temp 40°F below 20°F evaporator, and 65°F above 20° evap., 5°F sub cooling

Specifications/ Parts:

Unit Model	AJ9486E-XD3AXC
Unit Bill of Material	392A1183-1
Refrigeration Range	-10 F to 45° F
Design Pressure Low	150
Design Pressure High	450
Nominal Volts-Hz-Ph	208-230/60/1
Voltage Range	187-254
Min. Circuit Ampacity	11.4
Max. Fuse Size (amps)	15
Compressor Model	AJ9484E-XD3A
Comp. Bill of Material	AJ4EM1DF846P00-S
Compressor RLA/LRA	8.5 / 51
Overload	8300CTRL49
Relay	8200RVAM14
Run Capacitor	85PR370E42
Start Capacitor	85PS250C19

Fan Motor	810F050C20
Fan Motor RLA	0.7
Fan Blade	51563
Fan Shroud	70736-1
Fan Guard	71062
Condenser	50802-6
Liquid Valve	31547-8
Suction Valve	56575-2
Power Cord	N/A
Receiver Tank	51081
Low Pressure Control	N/A
Unit Drawing	DGU1893-112
Wiring Diagram	90657-1
Replacement Kit: Relay	K71-20
Replacement Kit: O/L	K90-89
Replacement Kit: St. Cap	K146-36
Replacement Kit: Run Cap	K150-05

Electrical Diagram

