



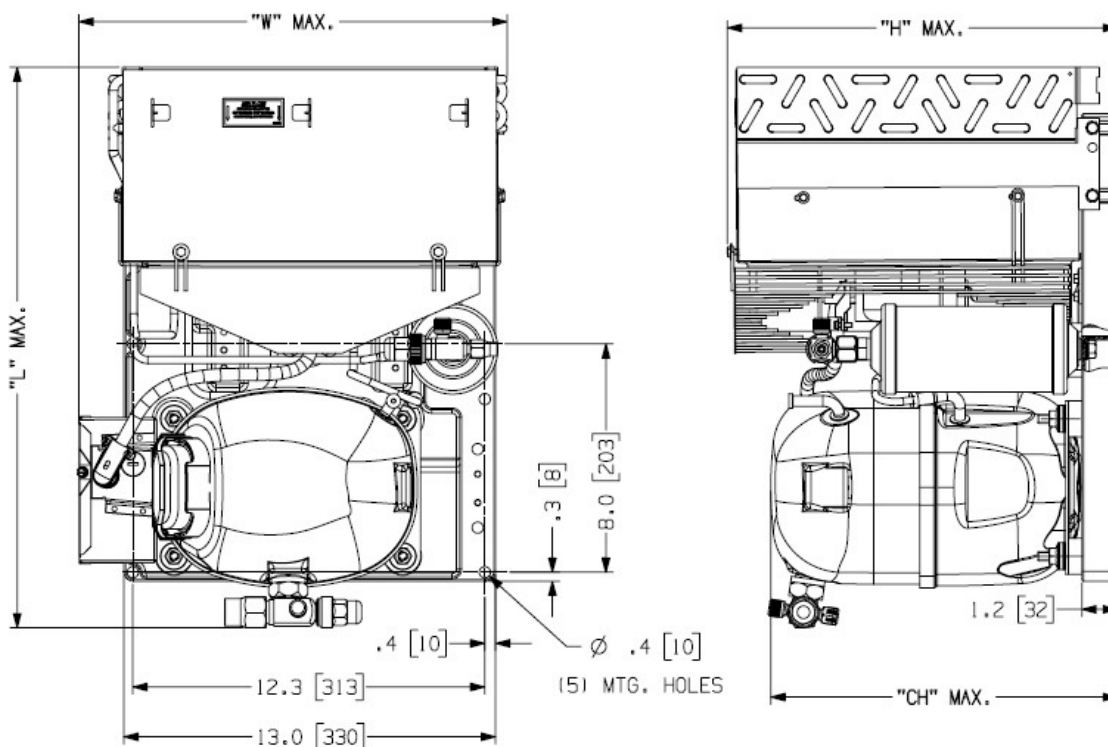
# Tecumseh Products Company Hermetic Condensate Evaporative Unit

Model: AJ7465Y-AA3AEC

BoM: 392B751-1

R-134a

3/4 HP



Model	Dimensions, inches				Line Connection*		Pumpdown	Air	Oil Ch	Gr. Wt.
	L	W	H	CH	Suction	Liquid	90 °F 90%	SCFM	Oz.	Lbs.
AJ7465Y-AA3AEC	19.6	15.0	13.6	11.1	5/8" F	1/4" F	2.5	590	16.1	99

\* F = Flare, S = Solder, RF or RS = Rotolock with Flare or Solder Connections, C = Compression Fitting  
Factory charge: 20 PSIG Nitrogen – **MUST BE EVACUATED**

Evaporator T,		Ambient Temperatures											
		80°F			90°F			100°F			110°F		
°F	PSIG	BTUH	Watts	Cond T	BTUH	Watts	Cond T	BTUH	Watts	Cond T	BTUH	Watts	Cond T
-10	1.9	2757	717	92	2376	684	101	1995	652	109	1614	619	118
-5	4.1	3249	791	95	2829	763	104	2409	735	112	1988	707	121
0	6.5	3786	866	98	3326	842	107	2866	819	115	2407	795	123
5	9.1	4367	941	101	3868	922	110	3369	903	118	2869	884	126
10	11.9	4993	1017	104	4454	1002	113	3915	988	121	3377	974	129
15	15.0	5663	1093	108	5085	1083	116	4507	1073	124	3929	1063	132
20	18.4	6378	1169	111	5760	1164	119	5143	1159	127	4525	1154	135
25	22.1	7137	1247	115	6480	1246	123	5823	1245	131	5166	1245	139
30	26.1	7941	1324	118	7244	1328	126	6548	1332	134	5851	1336	142

### 60 Hz Performance

Return gas temp 40°F below 20°F evaporator, and 65°F above 20° evap, 5°F sub cooling

**Specifications/ Parts:**

<b>Unit Model</b>	<b>AJ7465Y-AA3AEC</b>
<b>Unit Bill of Material</b>	<b>392B751-1</b>
Refrigeration Range	-10 F to 30° F
Design Pressure Low	150
Design Pressure High	450
Nominal Volts-Hz-Ph	115/60/1
Voltage Range	103-127
Min. Circuit Ampacity	19.8
Max. Fuse Size (amps)	30
Compressor Model	AJ7461Y-XA3A
Comp. Bill of Material	AJ7YP1AF743P00-M
Compressor RLA/LRA	14.7/63.0
Overload	8300CSTH33
Relay	8200RVAM18
Run Capacitor	85PR370E36
Start Capacitor	85PS165C99

Fan Motor	810M035B69
Fan Motor RLA	1.4
Fan Blade	51541-1
Fan Shroud	70724-2
Fan Guard	71020
Condenser	50798-4
Liquid Valve	31584-1
Suction Valve	31552-4
Power Cord	N/A
Receiver Tank	51080-1
Unit Drawing	DGU1914-16
Wiring Diagram	90657
Replacement Kit: Relay	K71-13
Replacement Kit: O/L	K90-38
Replacement Kit: St. Cap	K146-28
Replacement Kit: Run Cap	K150-03

**Electrical Diagram**

