



# Indoor Condensing Unit Technical Datasheet

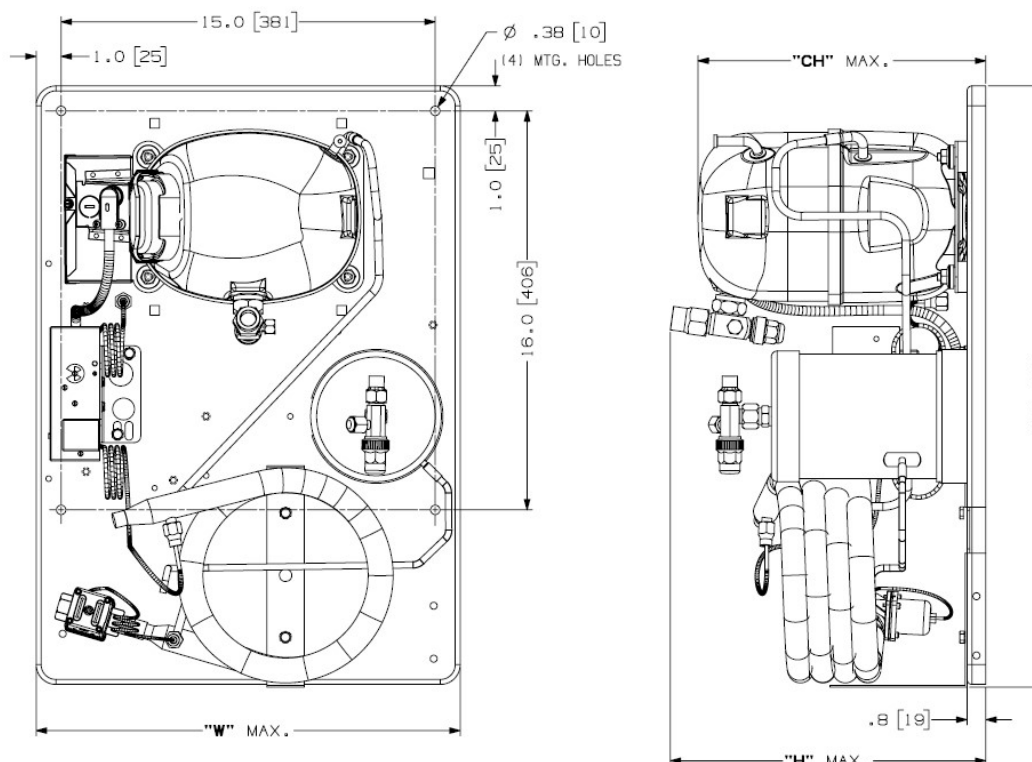
**Model: AJ7465Y-XA3AXW**

**BoM: 392B754-1**

**R-134a**

**3/4 HP**

**Watercooled**



Model	Dimensions, inches				Line Connection*		Pumpdown	Air	Oil Ch	Gr. Wt.
	L	W	H	CH	Suction	Liquid	90 °F 90%	SCFM	Oz.	Lbs.
AJ7465Y-XA3AXW	24.1	17.0	12.6	11.5	5/8" F	3/8" F	6.06 lbs.	N/A	16	95

\* F = Flare, S = Solder, RF or RS = Rotolock with Flare or Solder Connections, C = Compression Fitting  
Factory charge: 20 PSIG Nitrogen – **MUST BE EVACUATED**

Use 3/8" min. pipe size. Water valve inlet 3/8" NPT

Performance: Ambient 95°F—Return Gas 65°F—Condenser Water In 75° F—Head 135 PSIG					
Evaporator Temp °F	-10	0	10	20	30
BTU/HR	2029	3490	5372	7580	10013
Water Usage - GPM	0.41	0.70	1.07	1.52	2.00
Watts	588	770	930	1074	1207

The water valve should be adjusted to maintain a maximum of 95°F water outlet temperature in order to minimize water scaling within the condenser.

### 60 Hz Performance

Return gas temp. 40°F, 5°F sub cooling

### Specifications/ Parts:

<b>Unit Model</b>	<b>AJ7465Y-XA3AXW</b>
<b>Unit Bill of Material</b>	<b>392B754-1</b>
Refrigeration Range	-10 F to 30° F
Design Pressure Low	150
Design Pressure High	450
Nominal Volts-Hz-Ph	115/60/1
Voltage Range	103-127
Min. Circuit Ampacity	13.9
Max. Fuse Size (amps)	20
Compressor Model	AJ7461Y-XA3A
Comp. Bill of Material	AJ7YP1AF743P00-M
Compressor RLA/LRA	14.7 / 63
Overload	571655
Relay	8200RVAM18
Run Capacitor	85PR370E36
Start Capacitor	85PS165C99
Water Valve	56516
Process Valve	N/A

Fan Motor	N/A
Fan Motor RLA	N/A
Fan Blade	N/A
Fan Guard Body	N/A
Fan Guard Grill	N/A
Condenser	50812T
Liquid Valve	31547-8
Suction Valve	31552-3
Power Cord	N/A
Receiver Tank	51081
Accumulator	N/A
Dual Pressure Control	84056
Unit Drawing	DGU1875-12
Wiring Diagram	90657-2
Replacement Kit: Relay	K71-13
Replacement Kit: O/L	K90-165
Replacement Kit: St. Cap	K146-28
Replacement Kit: Run Cap	K150-03

## Electrical Diagram

