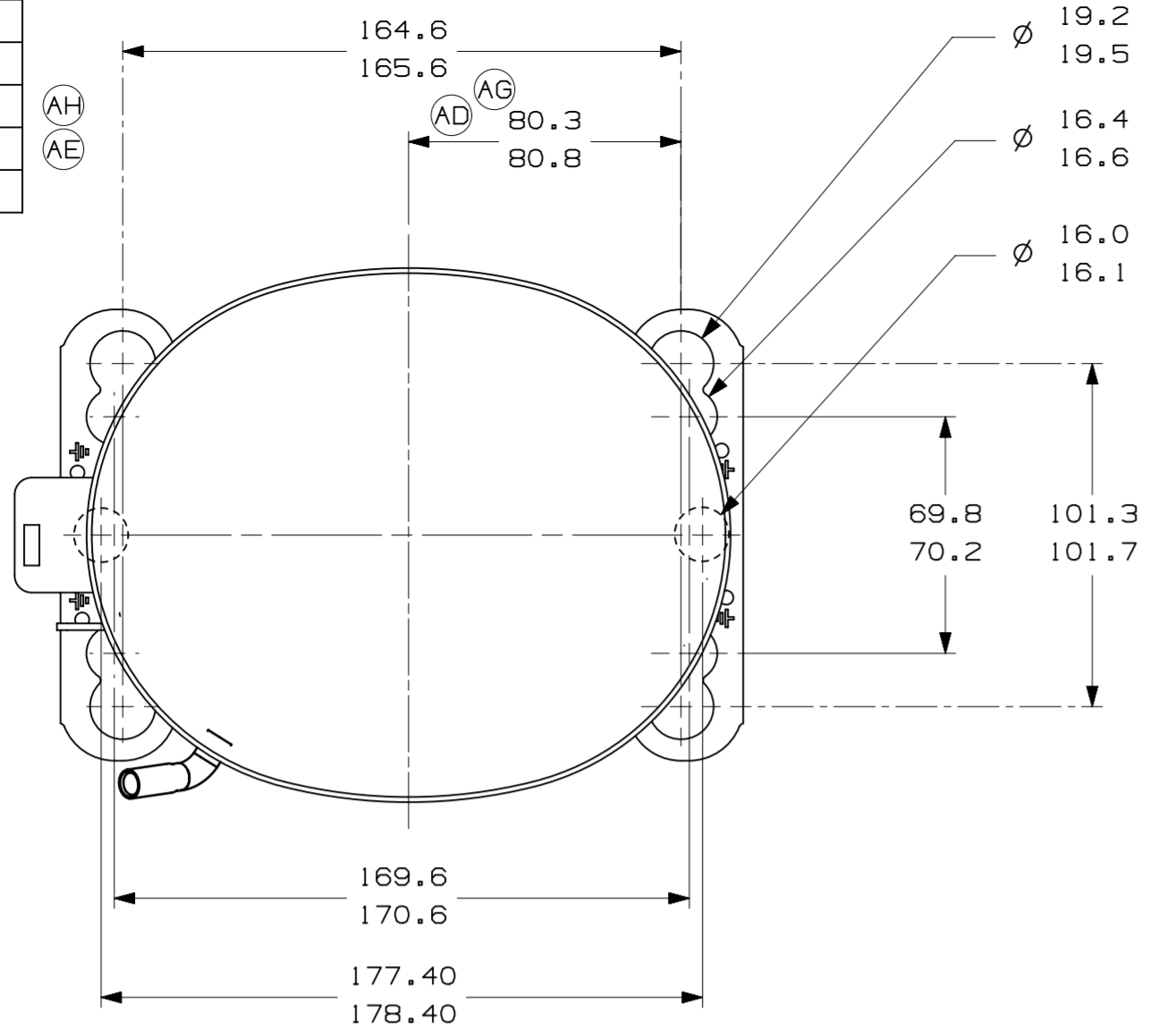
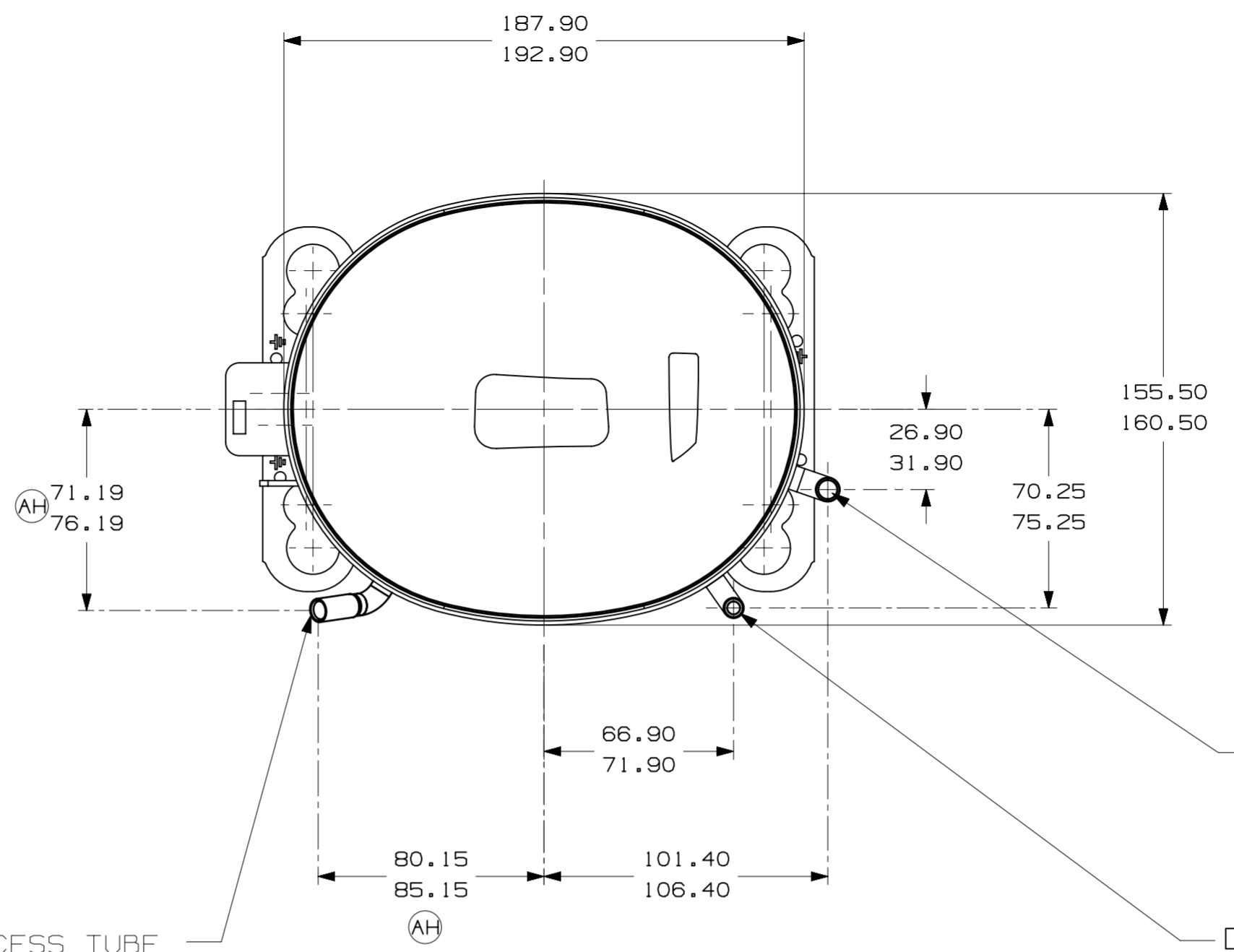


ITEM	PART NUMBER
A	320-10163
B	14963285
C	14947663
D	580-10246
E	14963570



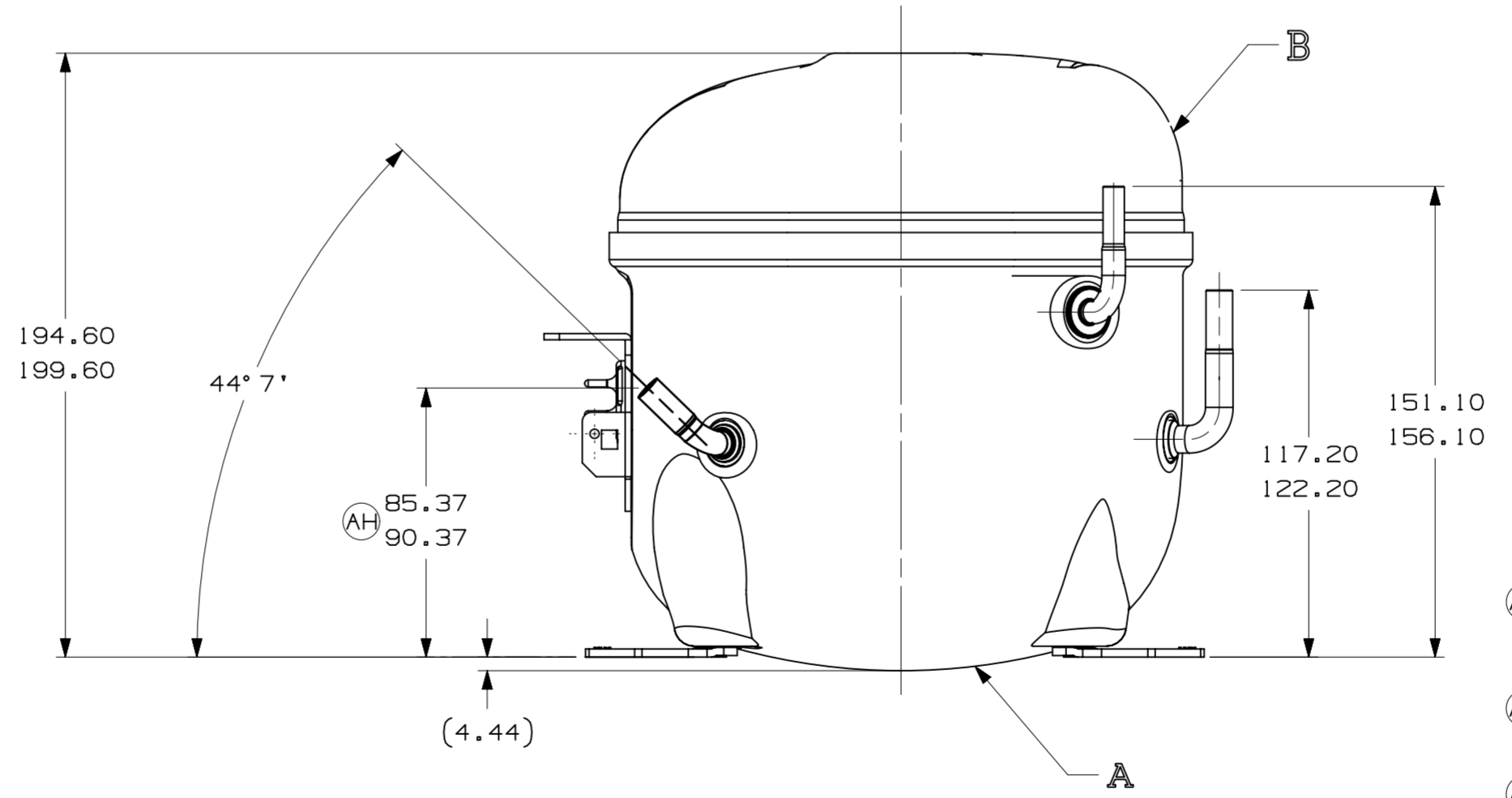
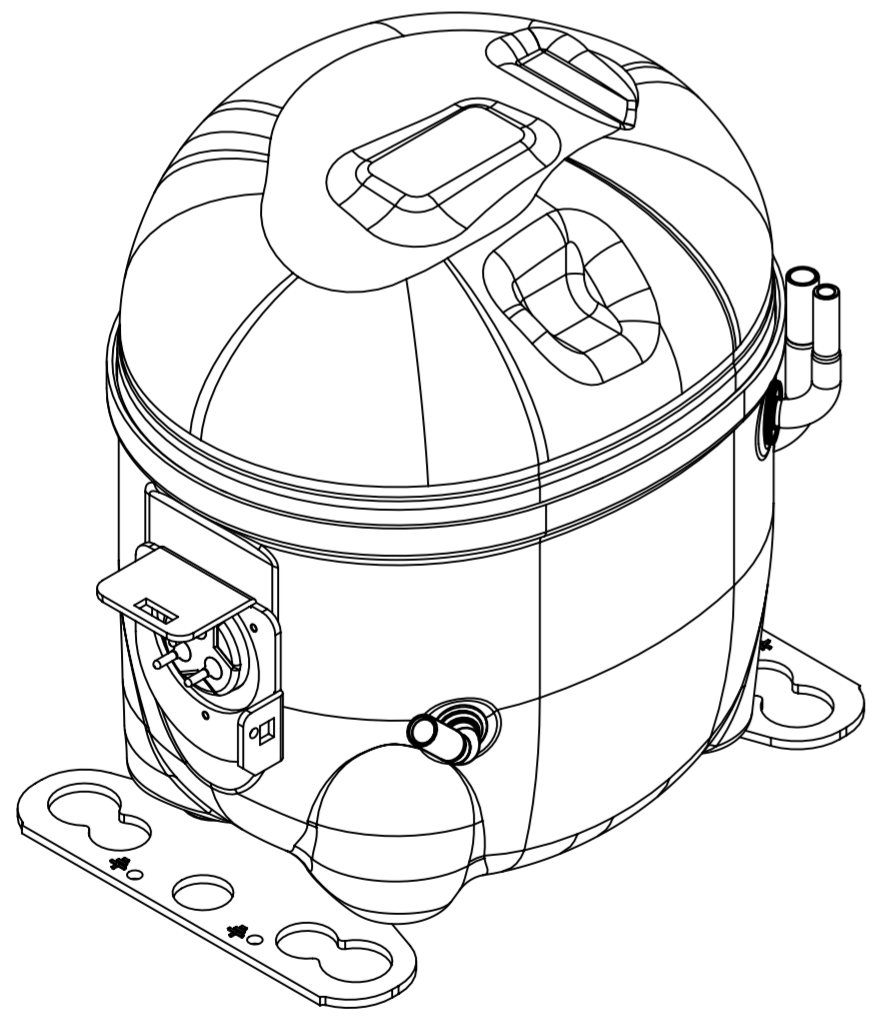
- AUXILIARY VIEW -
FASTENING DIMENSIONS



E- (COPPER) SUCTION TUBE
GAGE I.D. TO 6.45-6.55
× 15.00-17.00 DEEP.

D- (COPPER) DISCHARGE TUBE
GAGE I.D. TO 4.92-5.02
× 15.00-17.00 DEEP.

C- (COPPER) PROCESS TUBE
GAGE I.D. TO 6.45-6.55
× 15.00-17.00 DEEP.



- NOTES:
- 1- IF SPECIFIED IN BM. ASSEMBLE PARTS AS SHOWN.
 - 2- SEE SPEC. "A-B" & A-C FOR PROCESS.
 - 3- THERE CAN BE NO CREASES IN THE TUBES. (CREASES ARE SIGNS OR MARKS THAT ARE IN SOMETHING THAT BENDS)
 - 4- AFTER THE FOLDS IN THE TUBES, CANNOT BE ACCELERATED TO AREA EXCEEDING 30%.
 - 5- TUBES OF SUCTION, DISCHARGE AND PROCESS MUST BE FREE OF INK ON 15.8mm (5/8") FROM TOP OF THE TUBES AS SPEC. T.P.Co. A-B4.
 - 6- FOR SUPPLIER ENVIRONMENTAL REGULATORY REQUIREMENTS, SEE TECUMSEH GLOBAL SPEC. 08.

REV.	DATE	DESCRIPTION	BY	CHKD.
ERA 91.60-96.60	03-05-22	ERA 91.60-96.60	AM	WC
ERA 86.60-91.60	14-02-18	ERA 86.60-91.60	AM	WC
ERA 72.10-77.10	03-03-15	ERA 72.10-77.10	AM	WC
ERA 14963573	31-01-14	ERA 14963573	AM	WC
ALTERADA MEDIDA (AREA LIGENTA DE PINTURA)	03-03-15	ALTERADA MEDIDA (AREA LIGENTA DE PINTURA)	AM	WC
RETIRADO DETALHE	06-06-16	RETIRADO DETALHE	AM	WC
ALTERADO TUBO D	03-03-15	ALTERADO TUBO D	AM	WC
ALTERADA MEDIDA (ERA: 80.30-80.80)	31-01-14	ALTERADA MEDIDA (ERA: 80.30-80.80)	AM	WC
ADICIONADO NOTA	13-09-13	ADICIONADO NOTA	AM	WC
REVISADA NOTAS 3 E 4	08/06/12	REVISADA NOTAS 3 E 4	AM	WC
ACRESCENTADA NOTAS 3 E 4	15/12/11	ACRESCENTADA NOTAS 3 E 4	AM	WC
LIBERACAO	15/12/11	LIBERACAO	AM	WC

THIRD ANGLE PROJECTION

UNITS: mm

DRAWING SIZE: A2

0. A SYMBOLS AS PROCEDURE 2.01.031 TECUMSEH OF BRAZIL

NAME: SALES COMPRESSOR

PART NO.: DCAE204

SCALE: 1:2

PAGE: 1/1

DATE: 17/11/11

REF.

FAMILY: AE2