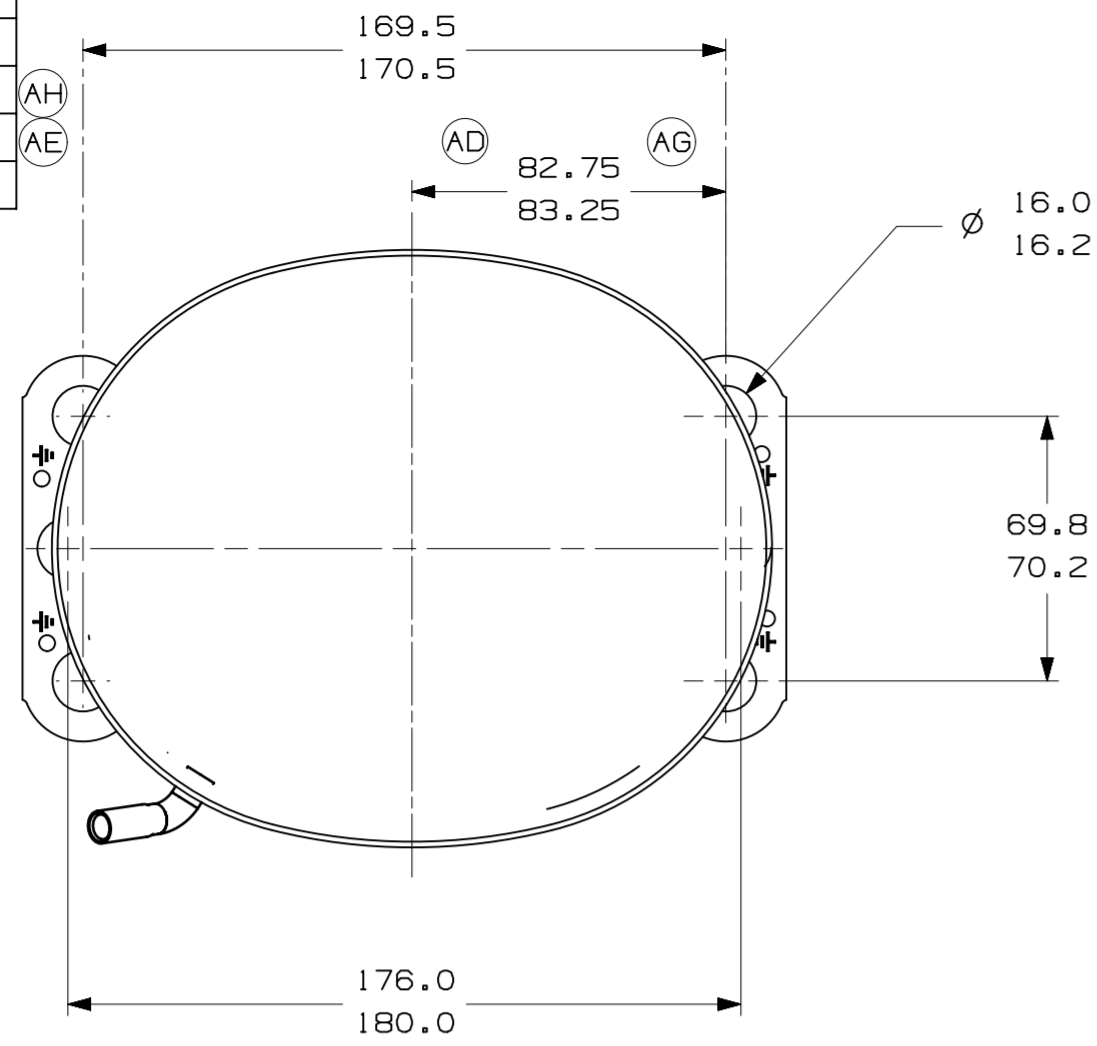
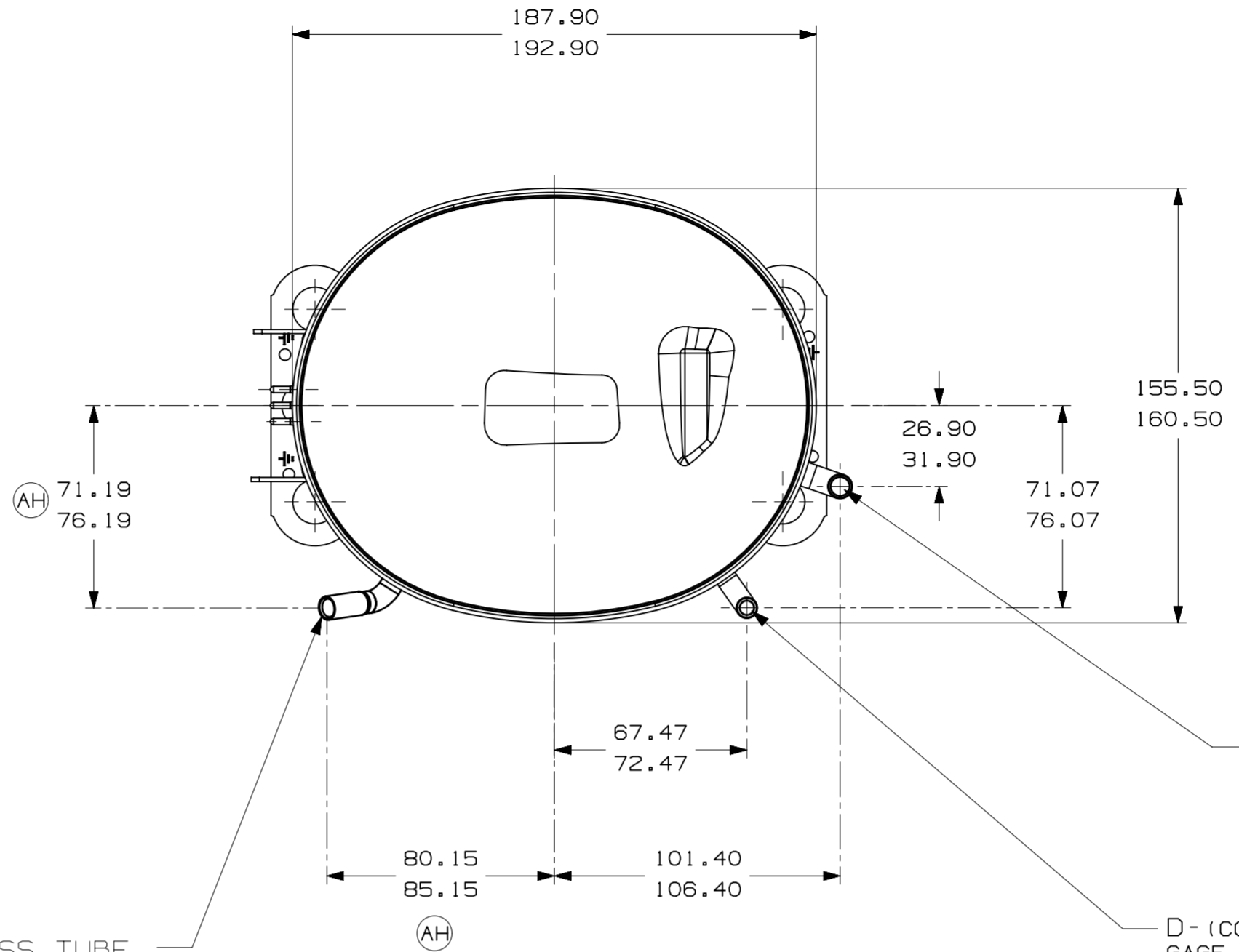


ITEM	PART NUMBER
A	320-10212
B	14963286
C	14947663
D	580-10245
E	14963570



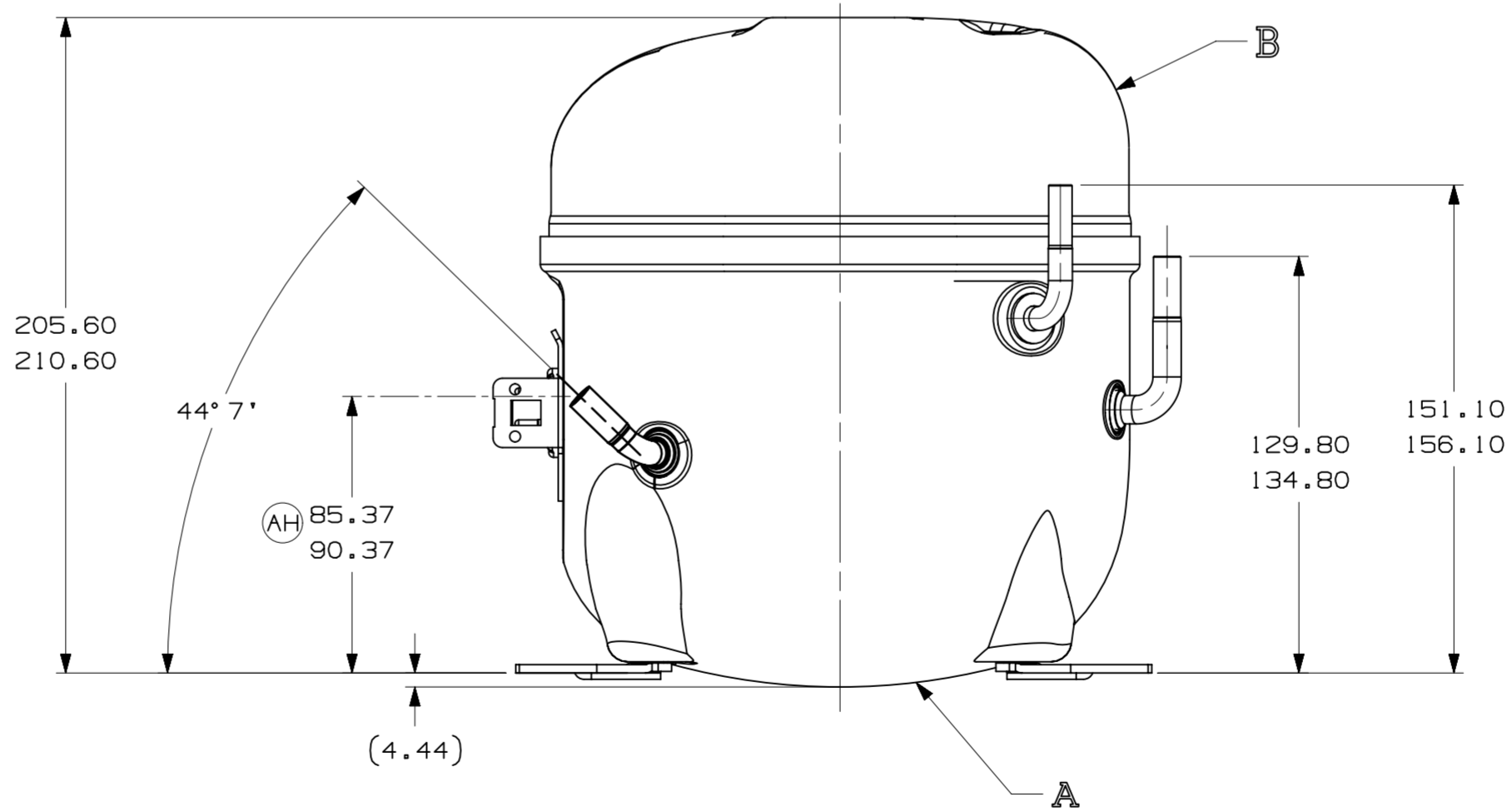
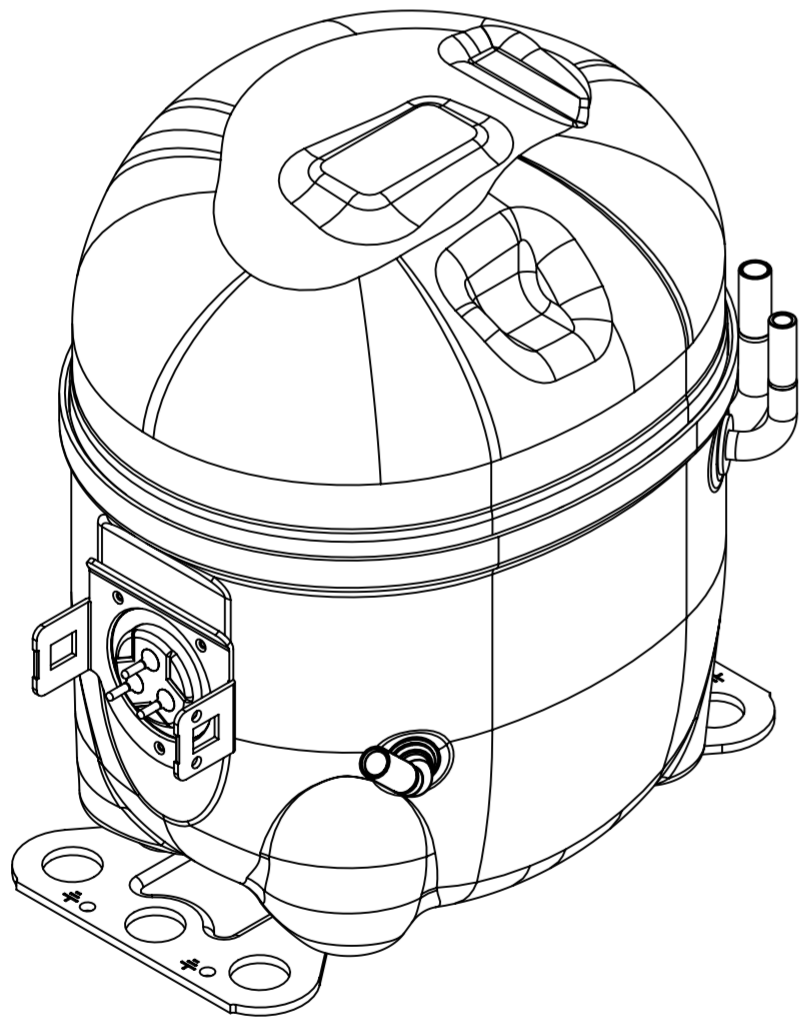
- AUXILIARY VIEW -  
FASTENING DIMENSIONS



E- (COPPER) SUCTION TUBE  
GAGE I.D. TO 6.45-6.55  
× 15.00-17.00 DEEP.

D- (COPPER) DISCHARGE TUBE  
GAGE I.D. TO 4.92-5.02  
× 15.00-17.00 DEEP.

C- (COPPER) PROCESS TUBE  
GAGE I.D. TO 6.45-6.55  
× 15.00-17.00 DEEP.



- NOTES:
- 1- IF SPECIFIED IN BM. ASSEMBLE PARTS AS SHOWN.
  - 2- SEE SPEC. "A-B" & A-C FOR PROCESS.
  - 3- THERE CAN BE NO CREASES IN THE TUBES. (CREASES ARE SIGNS OR MARKS THAT ARE IN SOMETHING THAT BENDS)
  - 4- AFTER THE FOLDS IN THE TUBES, CANNOT BE ACCELERATED TO AREA EXCEEDING 30%.
  - 5- TUBES OF SUCTION, DISCHARGE AND PROCESS MUST BE FREE OF INK ON 15.8mm (5/8") FROM TOP OF THE TUBES AS SPEC. T.P.Co. A-B4.
  - 6- FOR SUPPLIER ENVIRONMENTAL REGULATORY REQUIREMENTS, SEE TECUMSEH GLOBAL SPEC. 08.

- (AB)
- (AC)
- (AG)

LT	LC	CHANGE	DATE
EC44228	PS.	A.M.	02/03/12
EC52840	AMP	MP	13-09-13
EC48188	PS.	MP	31-01-14
EC59887	PS.	MP	03-03-15
EC70988	PS.	MP	08-06-16
EC80775	PS.	MP	14-02-18
EC102387	GM.	RE.	02-05-22

THIRD ANGLE PROJECTION  
UNITS: mm  
DRAWING SIZE: A2

**Tecumseh**

SALES COMPRESSOR

DCAE138

SCALE: 1:2

PAGE: 1/1

FAMILY: AE2

DATE: 23/02/12

REF.

B5	ERA 91.60-96.60
D4	ERA 86.40-91.40
E5	ERA 72.10-77.10
F8	ERA 14963573
A/2	ALTERADA MEDIDA ERA: 84.75-85.25
F/6	E ACRESC. NOTA 6
AF	RETIRADO DETALHE (ÁREA ISENTA DE PINTURA)
AE F/8	ALTERADO TUBO D ERA: 14963568
AD F/7	ALTERADA MEDIDA ERA: 182.75-83.25
AC A/2	ADICIONADO NOTA
A/2	REVISADA NOTAS 3 E 4
A/2	ACRESCENTADA NOTAS 3 E 4
AA	LIBERACAO