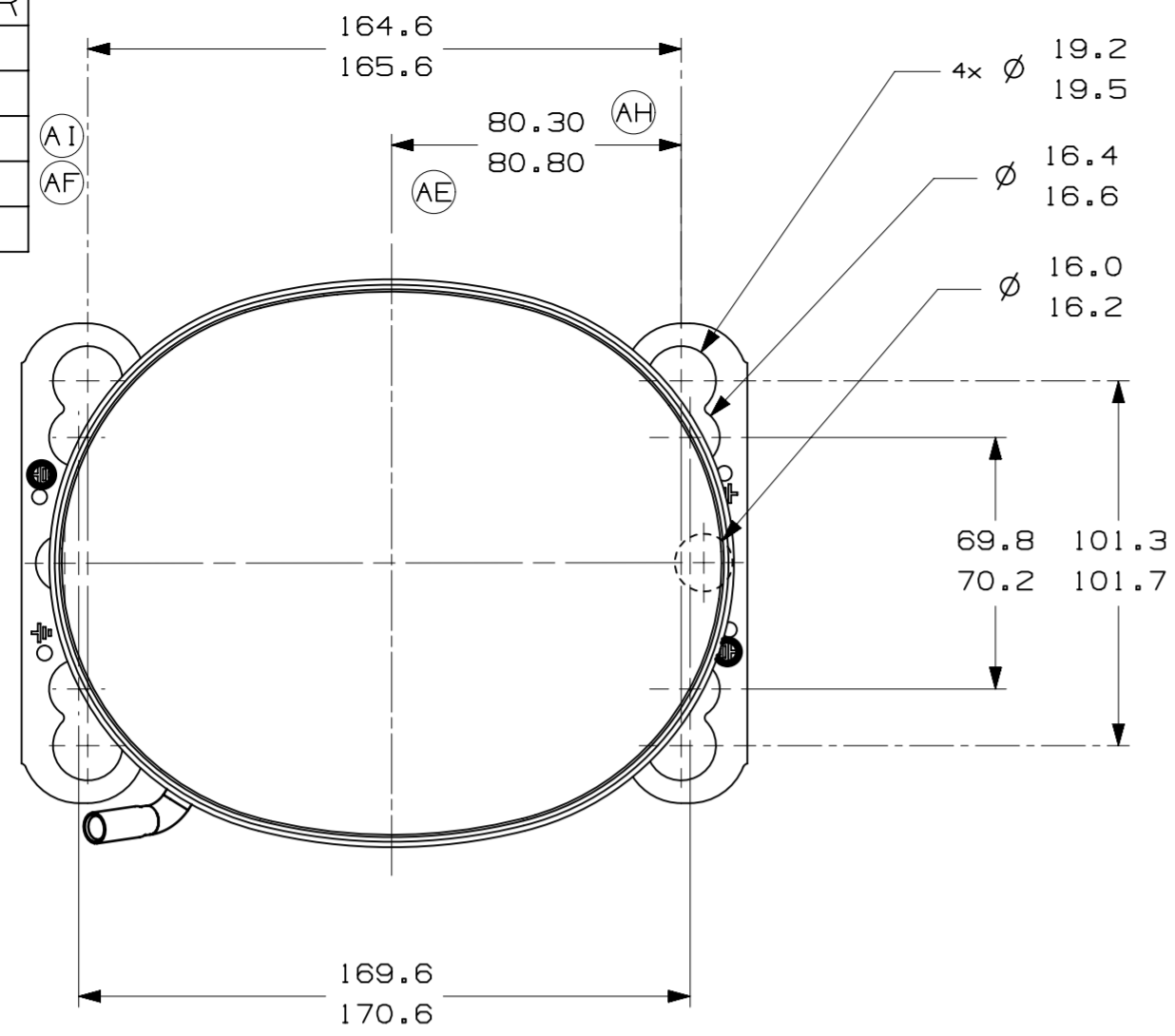
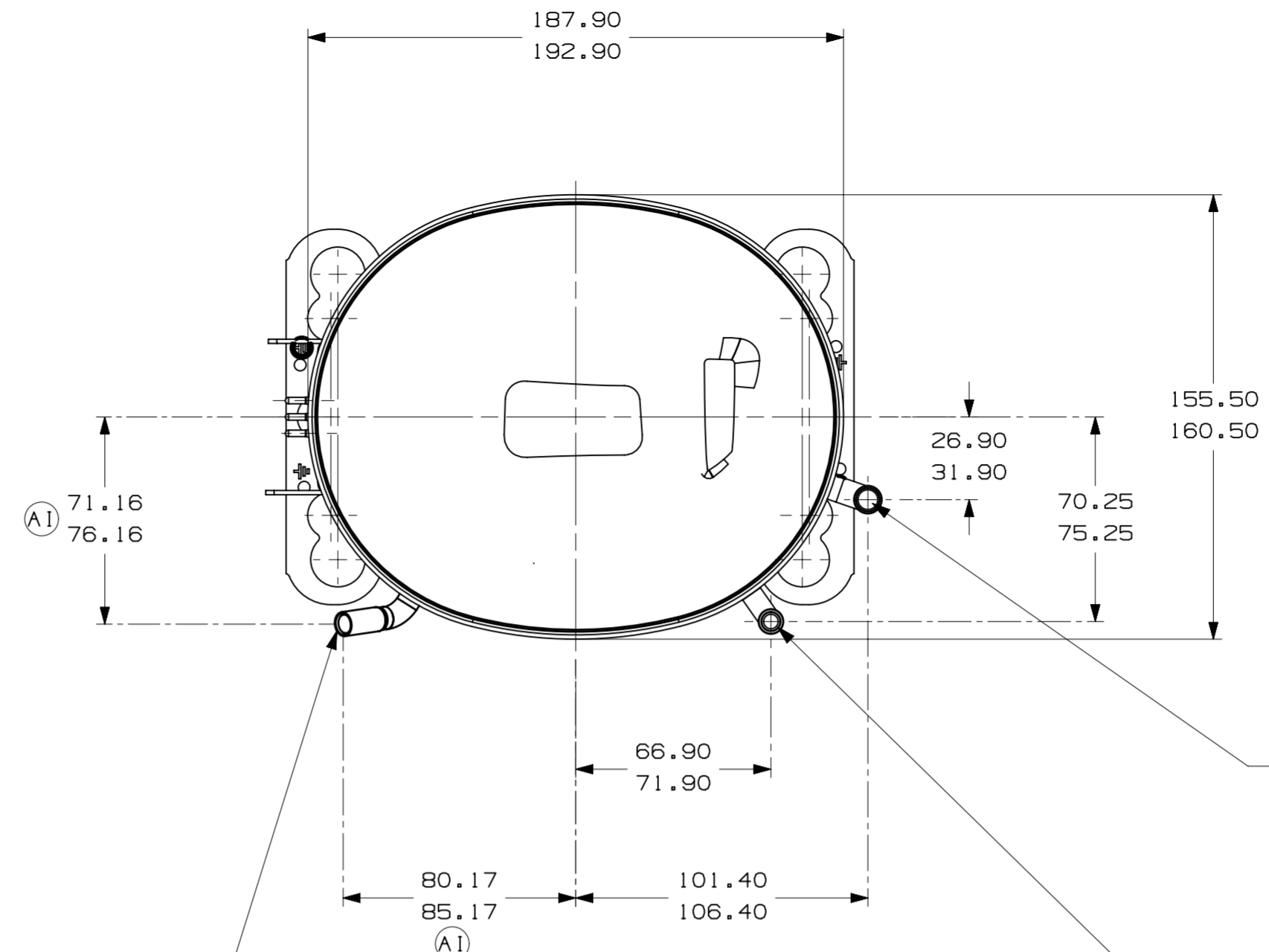


ITEM	PART NUMBER
A	320-10116
B	14963285
C	14947663
D	14963519
E	14963571



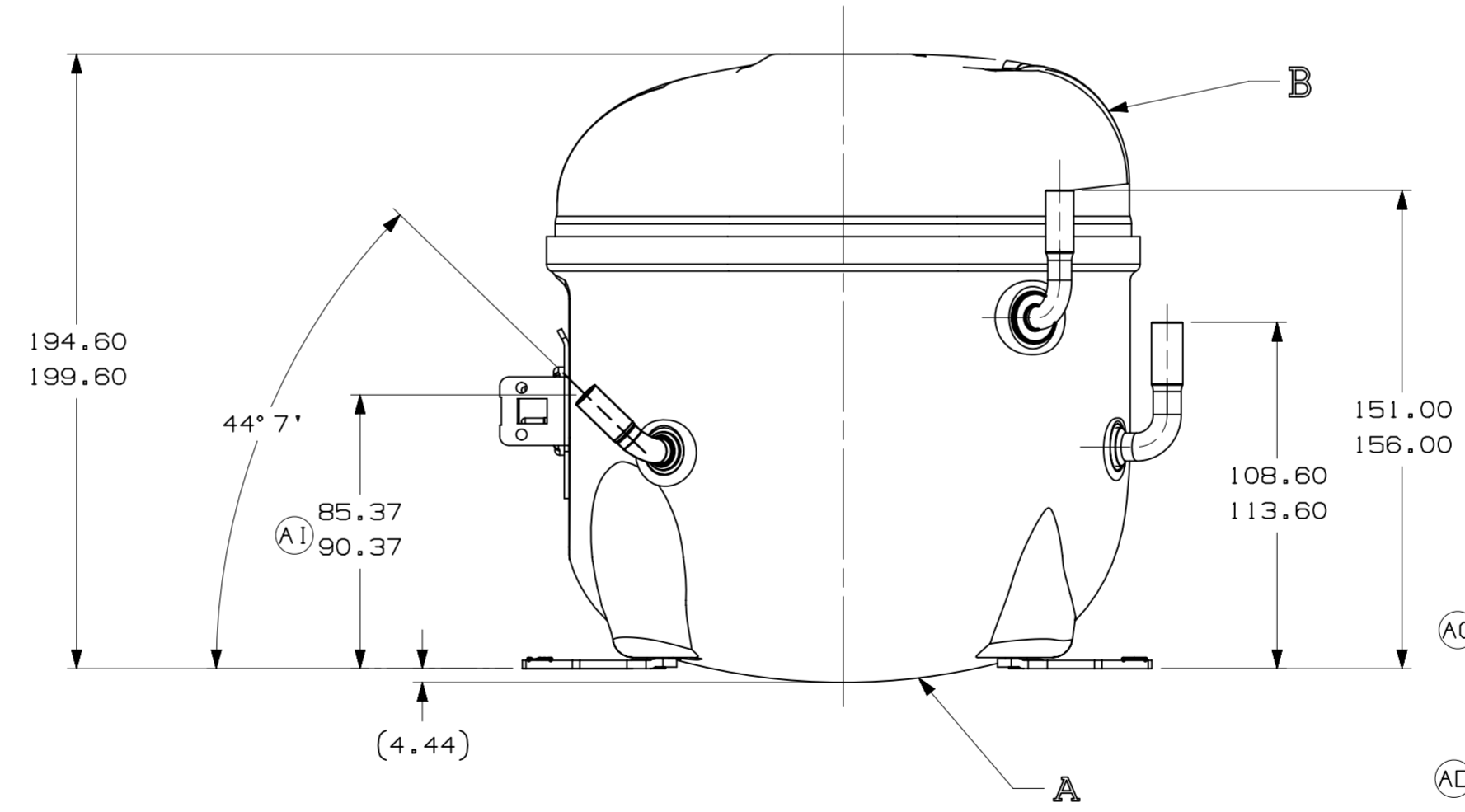
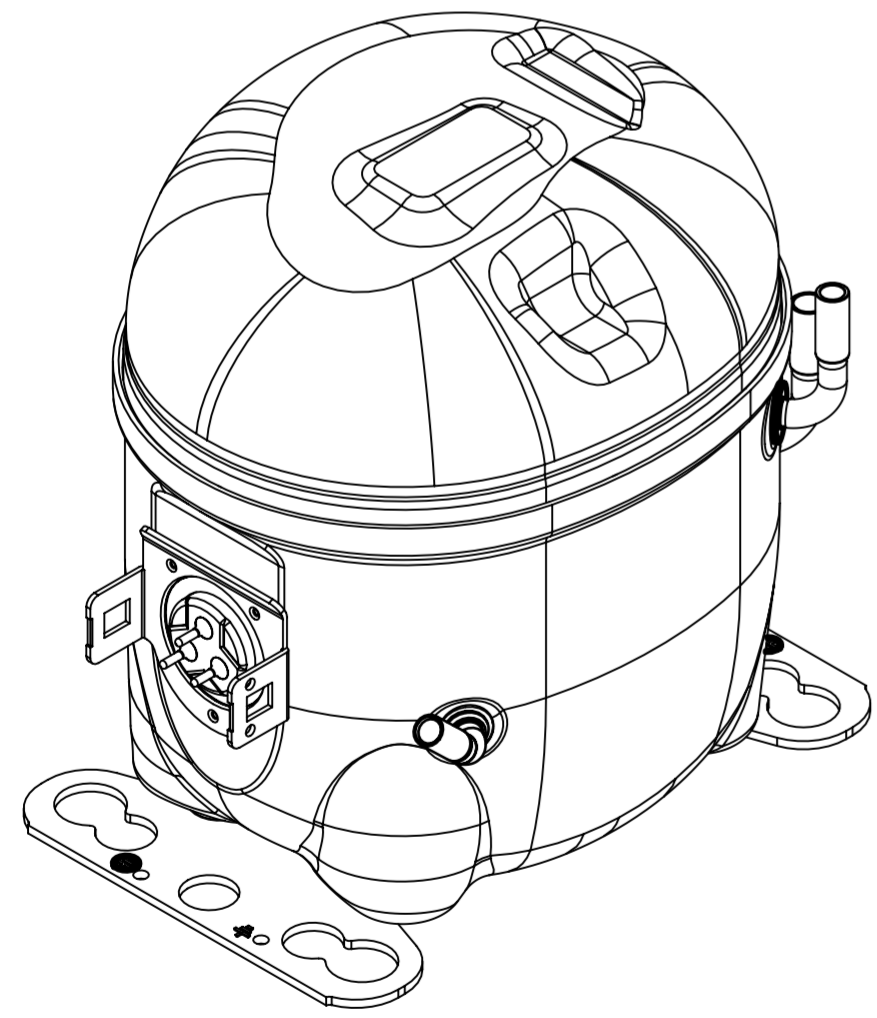
- AUXILIARY VIEW -
FASTENING DIMENSIONS



E- (COPPER) SUCTION TUBE
GAGE I.D. TO 8.00-8.10
× 15.00-17.00 DEEP.

C- (COPPER) PROCESS TUBE
GAGE I.D. TO 6.45-6.55
× 15.00-17.00 DEEP.

D- (COPPER) DISCHARGE TUBE
GAGE I.D. TO 6.45-6.55
× 15.00-17.00 DEEP.



- NOTES:
- 1- IF SPECIFIED IN BM. ASSEMBLE PARTS AS SHOWN.
 - 2- SEE SPEC. "A-B" & A-C FOR PROCESS.
 - 3- THERE CAN BE NO CREASES IN THE TUBES. (CREASES ARE SIGNS OR MARKS THAT ARE IN SOMETHING THAT BENDS)
 - 4- AFTER THE FOLDS IN THE TUBES, CANNOT BE ACCELERATED TO AREA EXCEEDING 30%.
 - 5- TUBES OF SUCTION, DISCHARGE AND PROCESS MUST BE FREE OF INK ON 15.8mm (5/8") FROM TOP OF THE TUBES AS SPEC. T.P.Co. A-B4.
 - 6- FOR SUPPLIER ENVIRONMENTAL REGULATORY REQUIREMENTS, SEE TECUMSEH GLOBAL SPEC. 08.

LT	LC	CHANGE	DATE
AA		LIBERACAO	EC38630 22/08/11 J.B / A.M
AB	N/1	ALTERADO NOME ERA: BRDOND	EC41721 07/11/11 J.B / W.C
AC	N/2	ACRESCENTADA NOTAS 3 E 4	EC44036 08/06/12 P.S. / A.M
AD	N/2	ADICIONADO NOTA	EC52840 AMP. MF. 13-01-13
AE	F/7	ALTERADA MEDIDA ERA: 80-30-80-80	EC48188 P.S. 31-01-14
AF	F/7	ALTERADO TUBO D ERA: 14963519	EC59887 P.S. 03-03-15
AG	--	RETIRADO DETALHE (AREA ISENTA DE PINTURA)	EC70368 AMP. 06-06-16
AH	F/6	ALTERADA MEDIDA ERA: 82,30-82,80 E ACRESC. NOTA 6	EC80775 P.S. 14-02-18
AI	B5	ERA 91.60-96.60	EC102387 SM. R6. 02-05-22
	D4	ERA 86.60-91.60	
	E5	ERA 72.10-77.10	
	F8	ERA 14963573	

THIS DRAWING OR PRINT (1) IS THE PROPERTY OF TECUMSEH DO BRASIL LTDA. AND CONTAINS PROPRIETARY AND CONFIDENTIAL INFORMATION BELONGING TO TECUMSEH DO BRASIL. IT IS TO BE USED ONLY FOR THE SPECIFIC PURPOSE AND SPECIFIC CONDITION THAT IT IS ISSUED FOR. IT IS NOT TO BE REPRODUCED, COPIED, EITHER IN WHOLE OR IN PART, OR TRANSMITTED IN ANY FORM OR BY ANY MEANS, WITHOUT THE EXPRESS WRITTEN CONSENT OF TECUMSEH DO BRASIL AND WITHOUT THE EXPRESS WRITTEN CONSENT OF THE RECIPIENT. THE RECIPIENT SHALL BE RESPONSIBLE FOR THE PROTECTION OF THIS DRAWING OR PRINT AND SHALL PROMPTLY RETURN IT TO TECUMSEH DO BRASIL UPON REQUEST.		THIRD ANGLE PROJECTION UNITS: mm DRAWING SIZE: A2	
NAME	SALES COMPRESSOR	PART NO.	DCAE196
SCALE	1:2	PAGE	1/1
DATE	09/06/11	REF.	
FAMILY	AE2		