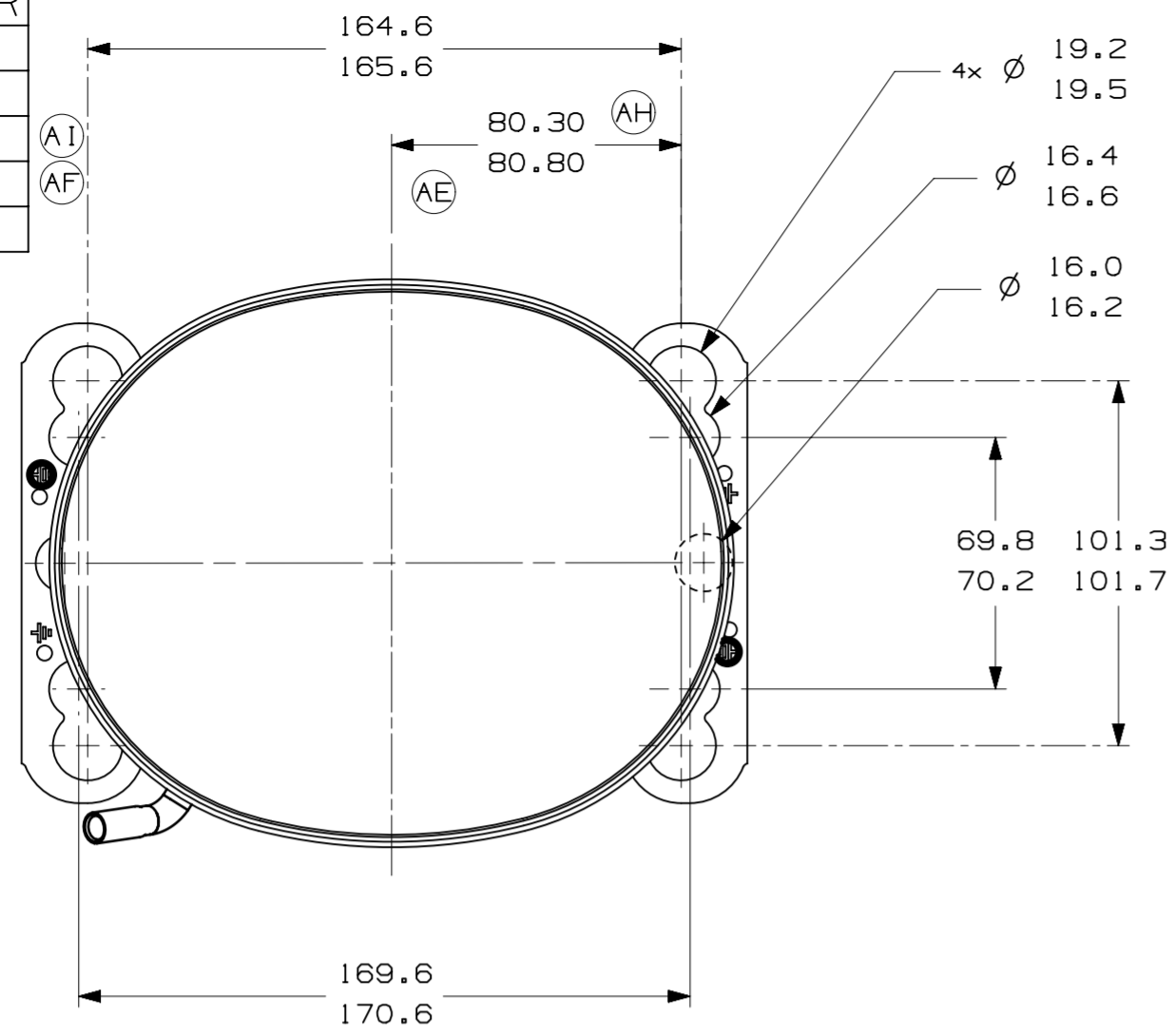
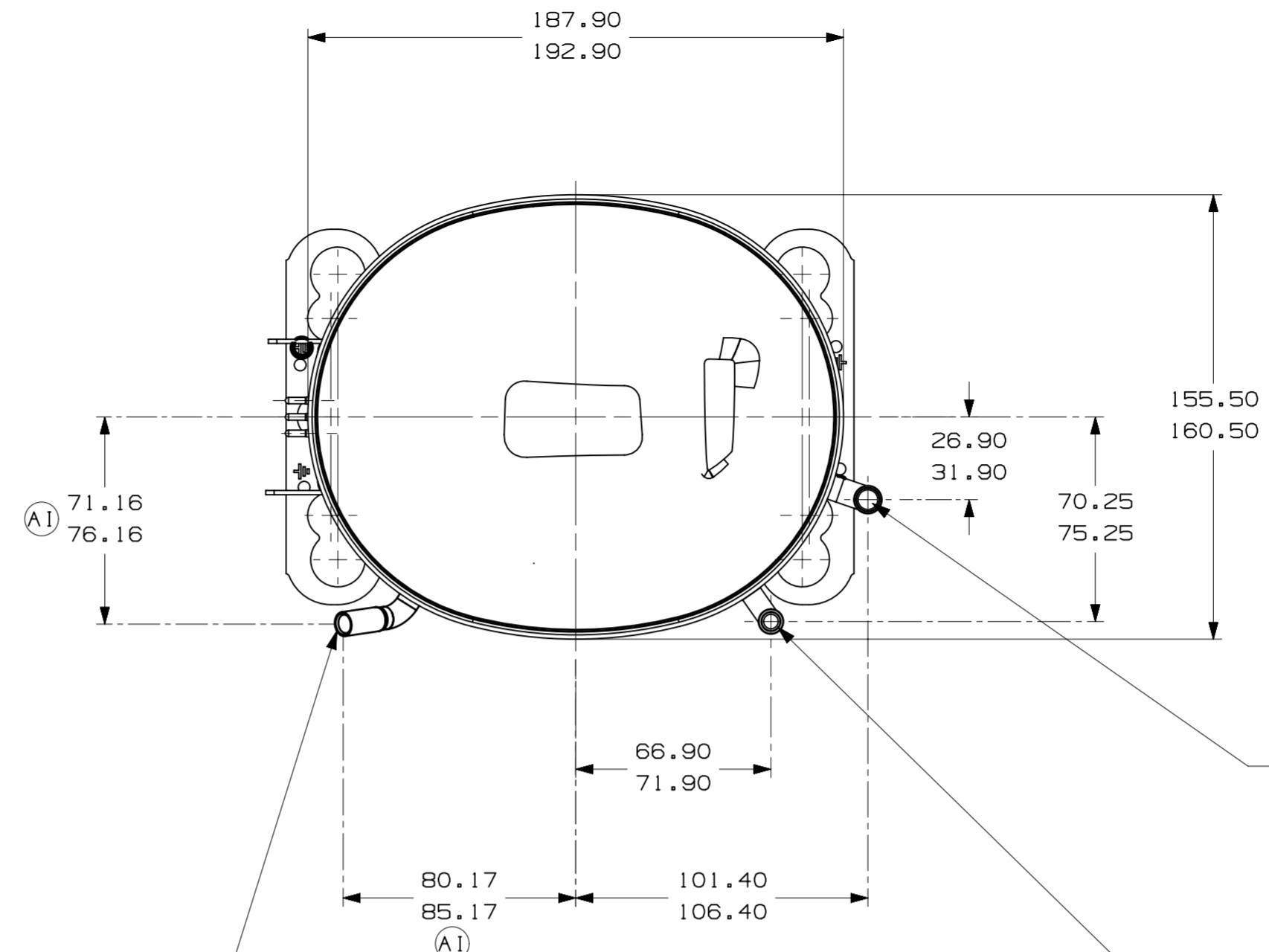


ITEM	PART NUMBER
A	320-10116
B	14963285
C	14947663
D	14963519
E	14963571



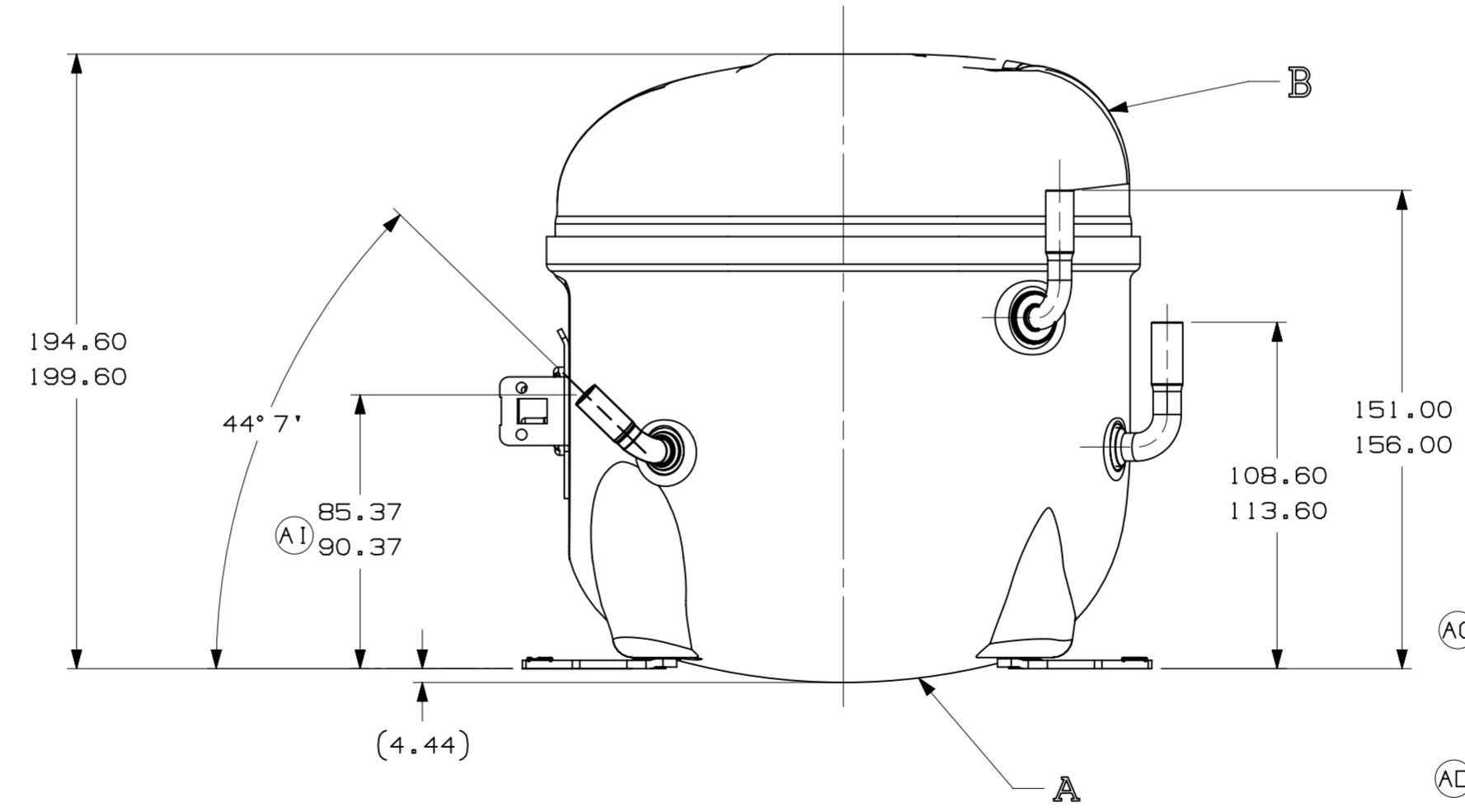
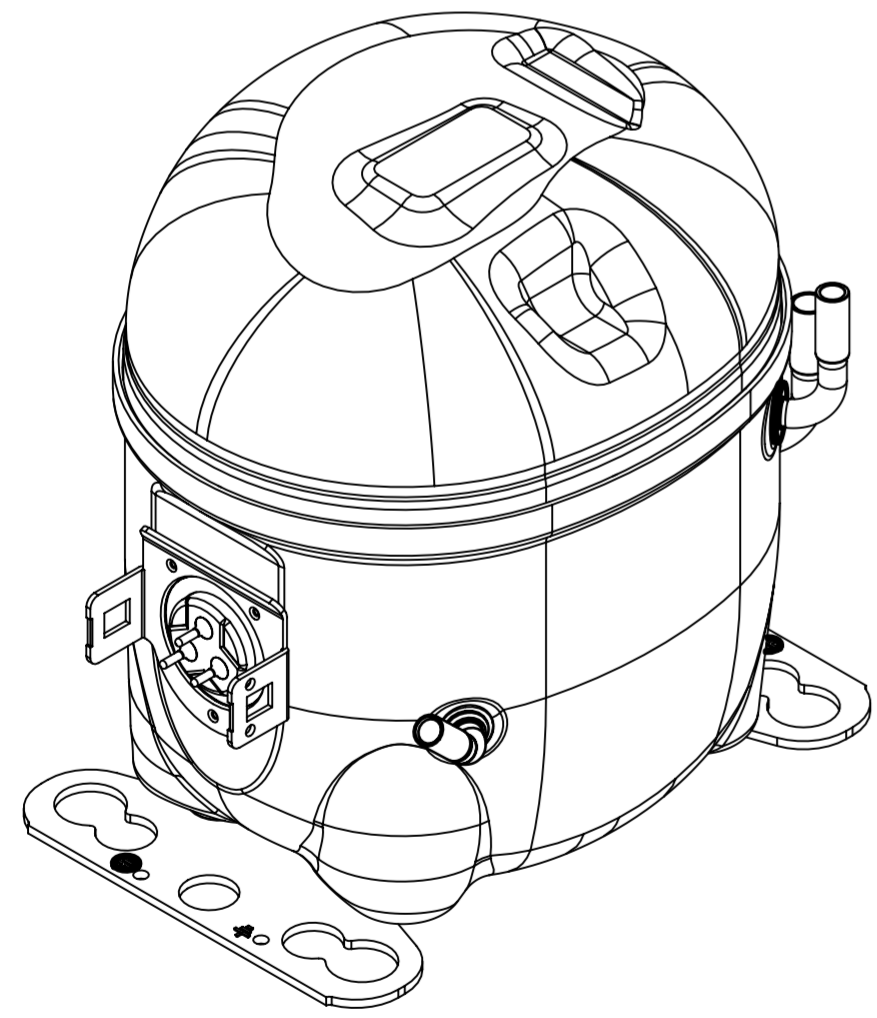
- AUXILIARY VIEW -
FASTENING DIMENSIONS



E- (COPPER) SUCTION TUBE
GAGE I.D. TO 8.00-8.10
× 15.00-17.00 DEEP.

C- (COPPER) PROCESS TUBE
GAGE I.D. TO 6.45-6.55
× 15.00-17.00 DEEP.

D- (COPPER) DISCHARGE TUBE
GAGE I.D. TO 6.45-6.55
× 15.00-17.00 DEEP.



- NOTES:
- 1- IF SPECIFIED IN BM. ASSEMBLE PARTS AS SHOWN.
 - 2- SEE SPEC. "A-B" & A-C FOR PROCESS.
 - 3- THERE CAN BE NO CREASES IN THE TUBES. (CREASES ARE SIGNS OR MARKS THAT ARE IN SOMETHING THAT BENDS)
 - 4- AFTER THE FOLDS IN THE TUBES, CANNOT BE ACCELERATED TO AREA EXCEEDING 30%.
 - 5- TUBES OF SUCTION, DISCHARGE AND PROCESS MUST BE FREE OF INK ON 15.8mm (5/8") FROM TOP OF THE TUBES AS SPEC. T.P.Co. A-B4.
 - 6- FOR SUPPLIER ENVIRONMENTAL REGULATORY REQUIREMENTS, SEE TECUMSEH GLOBAL SPEC. 08.

LT	LC	CHANGE	DATE
B5	ERA	91.60-96.60	EC102387 02-05-22 SM. R6.
D4	ERA	86.60-91.60	EC80775 14-02-18 PS. R6.
E5	ERA	72.10-77.10	EC70368 06-06-18 AMP. WC.
F8	ERA	14963573	EC59687 03-03-15 PS. R6.
AH	A/2 F/6	ALTERADA MEDIDA ERA: 82.30-82.80 E ACRESC. NOTA 6	EC48188 31-01-14 PS. R6.
AG	--	RETIRADO DETALHE (AREA ISENTA DE PINTURA)	EC52840 AMP. WF 13-01-13
AF	F/7	ALTERADO TUBO D ERA: 14963519	EC44036 08/06/12 PS. A.M
AE	F/7	ALTERADA MEDIDA ERA: 80.30-80.80	EC41721 07/11/11 J.B / W.C
AD	A/2	ADICIONADO NOTA	EC38630 22/08/11 J.B / A.M
AC	A/2	REVISADA NOTAS 3 E 4	
AB	A/2	ACRESCENTADA NOTAS 3 E 4	
AA	A/1	ALTERADO NOME ERA: BRDOND	
	AA	LIBERACAO	

THIS DRAWING OR PRINT (1) IS THE PROPERTY OF TECUMSEH DO BRASIL LTDA. AND CONTAINS PROPRIETARY AND CONFIDENTIAL INFORMATION BELONGING TO TECUMSEH DO BRASIL. IT IS TO BE USED ONLY FOR THE SPECIFIC PURPOSE AND SPECIFIC CONDITION THAT IT IS INTENDED FOR. IT IS NOT TO BE REPRODUCED, COPIED, EITHER IN WHOLE OR IN PART, OR TRANSMITTED IN ANY FORM OR BY ANY MEANS, WITHOUT THE EXPRESS AND SPECIFIC WRITTEN CONSENT OF TECUMSEH DO BRASIL AND THE RECIPIENT SHALL BE RESPONSIBLE FOR THE PROTECTION OF THIS INFORMATION. ANY UNAUTHORIZED USE OR DISCLOSURE OF THIS INFORMATION TO OTHERS WITHOUT THE EXPRESS AND SPECIFIC WRITTEN CONSENT OF TECUMSEH DO BRASIL IS STRICTLY PROHIBITED. ANY SUCH VIOLATION SHALL BE CAUSE FOR IMMEDIATE ACTION BY TECUMSEH DO BRASIL AND NOT OTHERWISE. (1/1) SHALL NOT BE COPIED OR TO ANY EXTENT WITH- OUT TECUMSEH DO BRASIL PRIOR EXPRESS AND SPECIFIC WRITTEN CONSENT AND (1/1) SHALL BE RETURNED BY THE RECIPIENT LATTER'S REQUEST PROMPTLY AFTER SUCH REQUEST IS MADE.

DO NOT SCALE THIS DRAWING. ALL FER- ROUS MATERIALS MUST NOT BE MAGNETIZED AS RECEIVED OR AT COMPRESSOR

THIRD ANGLE PROJECTION

UNITS: mm

DRAWING SIZE: A2

0. A SYMBOLS AS PROCEDURE 2.01.031 TECUMSEH OF BRAZIL

★ = CATEGORY I
▲ = CATEGORY II
■ = CATEGORY III
● = CATEGORY IV

NAME: SALES COMPRESSOR

PART NO.: DCAE196

SCALE: 1:2

PAGE: 1/1

DATE: 09/06/11

REF.

FAMILY: AE2