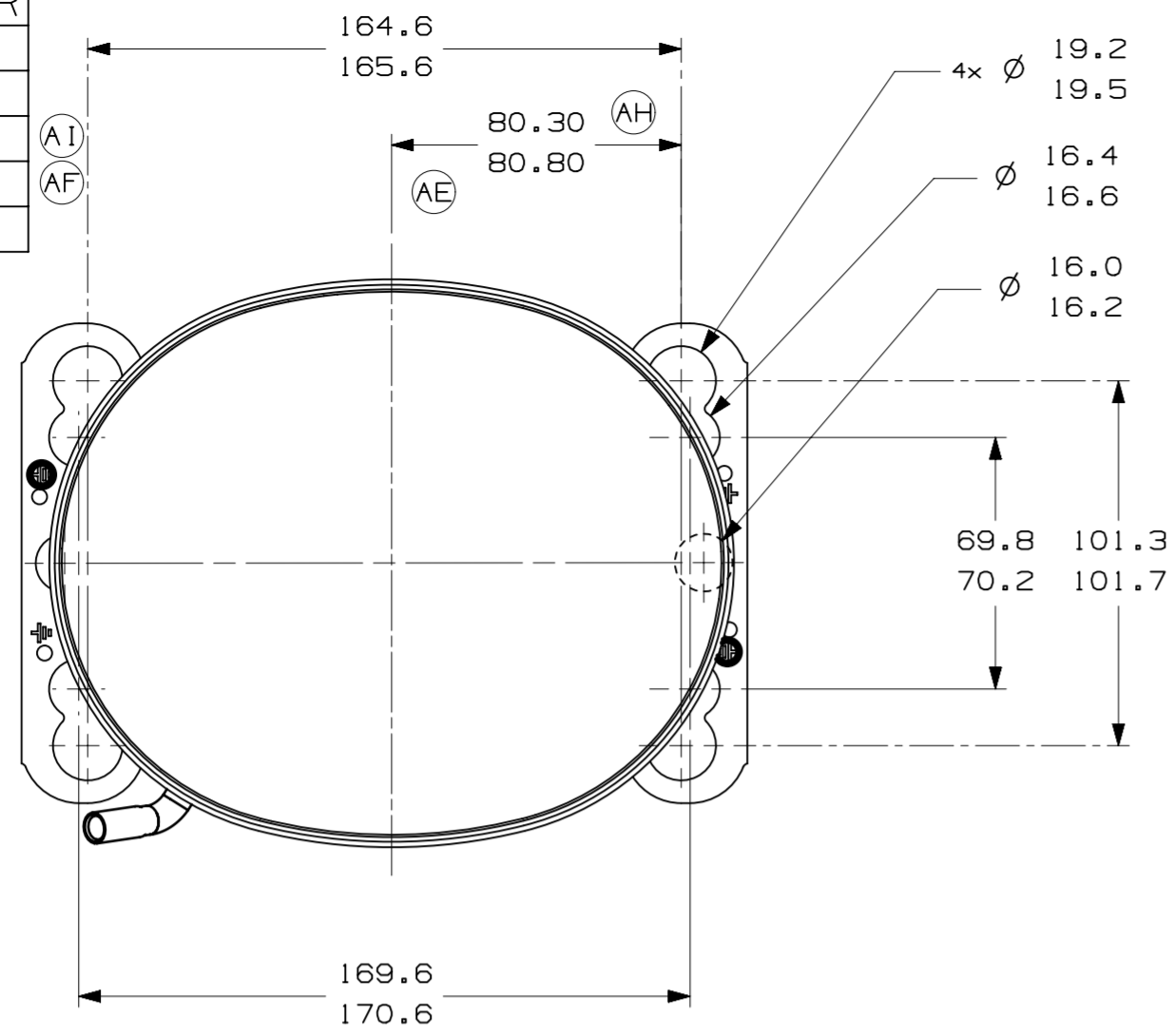
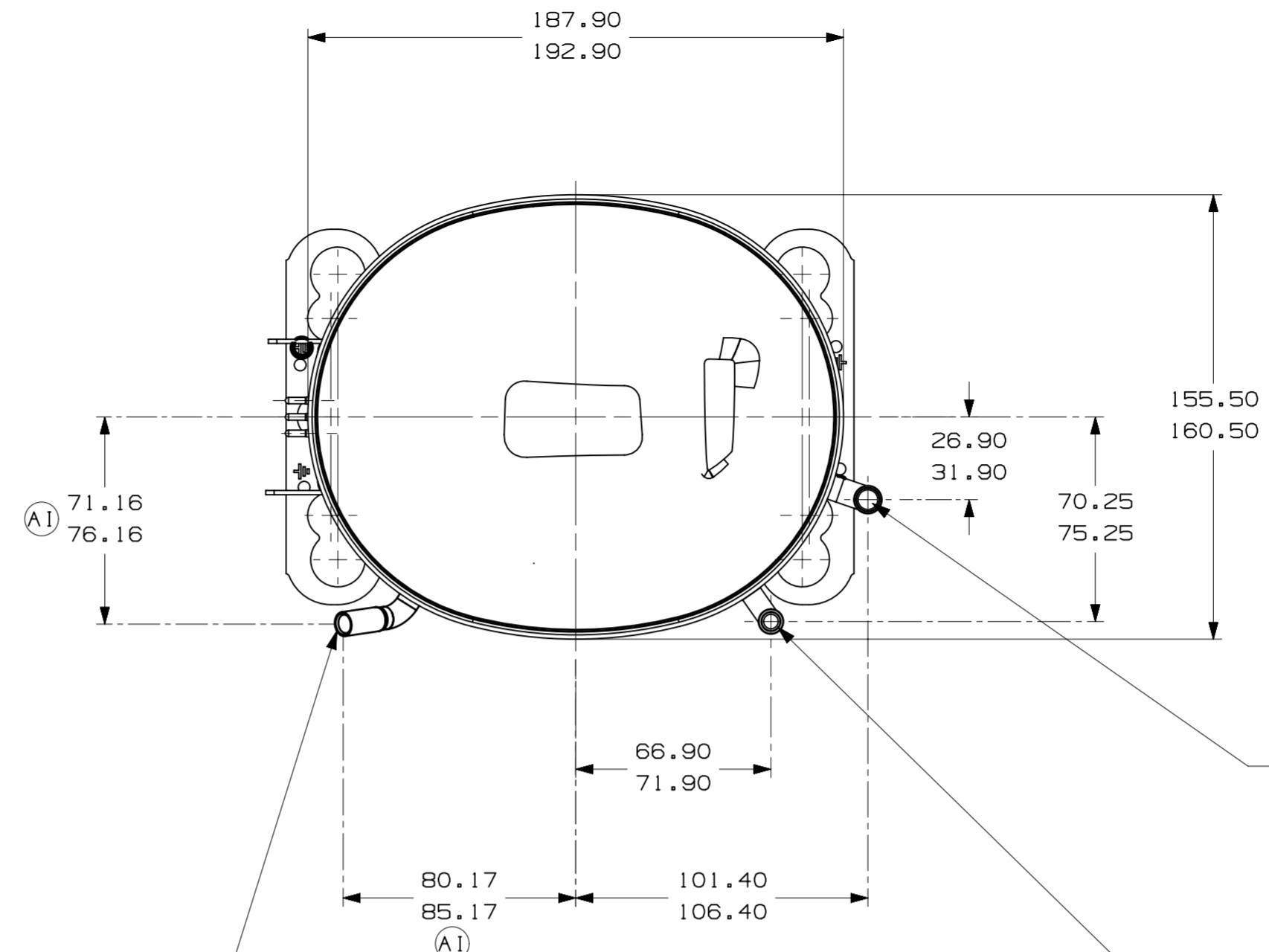


ITEM	PART NUMBER
A	320-10116
B	14963285
C	14947663
D	14963519
E	14963571



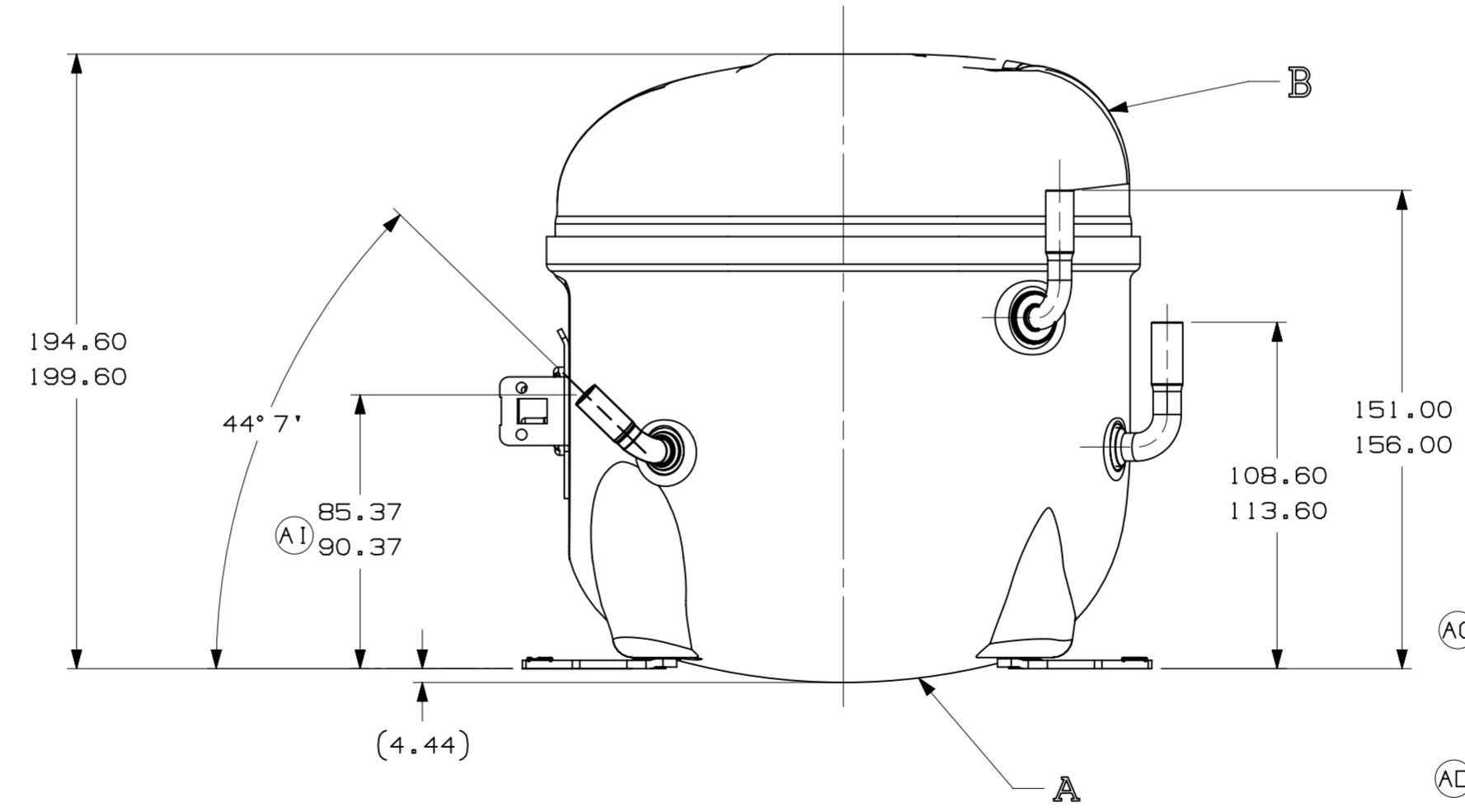
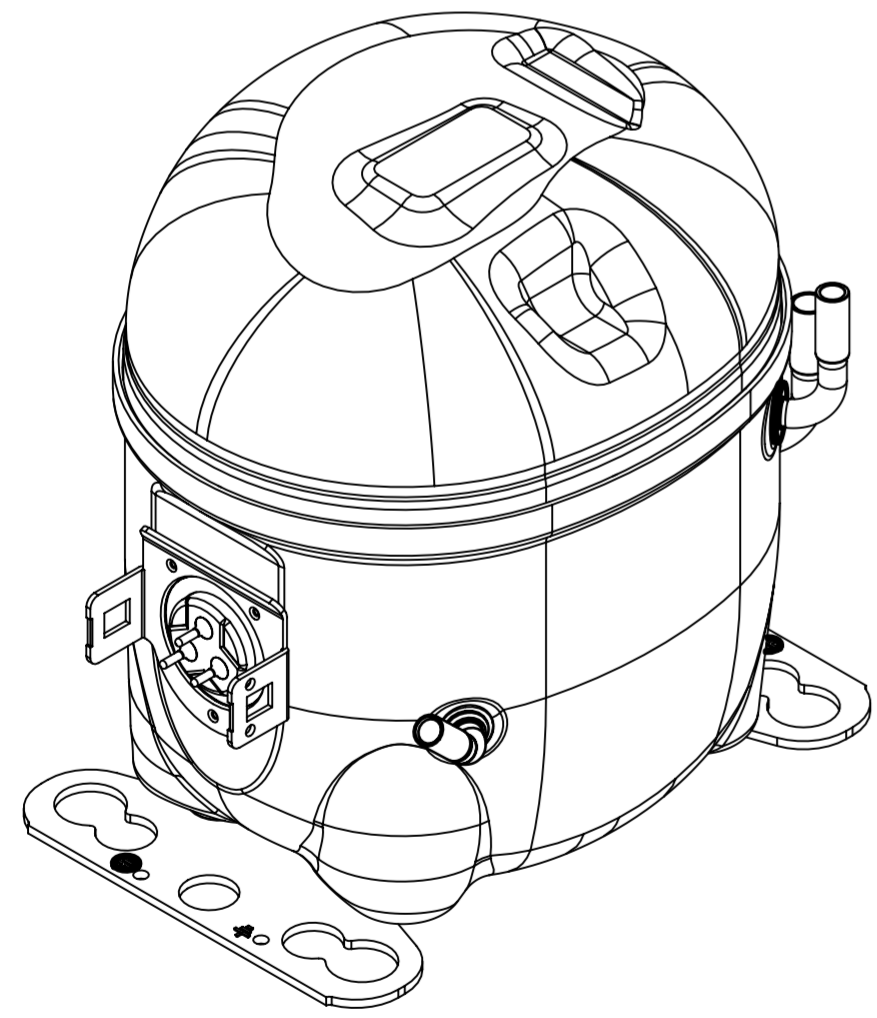
- AUXILIARY VIEW -  
FASTENING DIMENSIONS



E- (COPPER) SUCTION TUBE  
GAGE I.D. TO 8.00-8.10  
× 15.00-17.00 DEEP.

C- (COPPER) PROCESS TUBE  
GAGE I.D. TO 6.45-6.55  
× 15.00-17.00 DEEP.

D- (COPPER) DISCHARGE TUBE  
GAGE I.D. TO 6.45-6.55  
× 15.00-17.00 DEEP.



- NOTES:
- 1- IF SPECIFIED IN BM. ASSEMBLE PARTS AS SHOWN.
  - 2- SEE SPEC. "A-B" & A-C FOR PROCESS.
  - 3- THERE CAN BE NO CREASES IN THE TUBES. (CREASES ARE SIGNS OR MARKS THAT ARE IN SOMETHING THAT BENDS)
  - 4- AFTER THE FOLDS IN THE TUBES, CANNOT BE ACCELERATED TO AREA EXCEEDING 30%.
  - 5- TUBES OF SUCTION, DISCHARGE AND PROCESS MUST BE FREE OF INK ON 15.8mm (5/8") FROM TOP OF THE TUBES AS SPEC. T.P.Co. A-B4.
  - 6- FOR SUPPLIER ENVIRONMENTAL REGULATORY REQUIREMENTS, SEE TECUMSEH GLOBAL SPEC. 08.

LT	LC	CHANGE	DATE
B5	ERA	91.60-96.60	EC102387 02-05-22 SM. R6.
D4	ERA	86.60-91.60	EC80775 14-02-18 PS. R6.
E5	ERA	72.10-77.10	EC70368 06-06-18 AMP. WC.
F8	ERA	14963573	EC59687 03-03-15 PS. R6.
A/2	ALTERADA MEDIDA	ERA: 82.30-82.80	EC48188 01-01-14 PS. R6.
F/6	E ACRESC. NOTA 6		EC52840 AMP. WF. 13-01-13
AG	RETIRADO DETALHE (AREA ISENTA DE PINTURA)		EC44036 08/06/12 PS. A.M
F/7	ALTERADO TUBO D	ERA: 14963519	EC41721 07/11/11 J.B / W.C
F/7	ALTERADA MEDIDA	ERA: 80.30-80.80	EC38630 22/08/11 J.B / A.M
A/2	ADICIONADO NOTA		
A/2	REVISADA	NOTAS 3 E 4	
A/2	ACRESCENTADA	NOTAS 3 E 4	
A/1	ALTERADO NOME	ERA: BRDOND	
AA	LIBERACAO		

THIS DRAWING OR PRINT (1) IS THE PROPERTY OF TECUMSEH DO BRASIL LTDA. AND CONTAINS PROPRIETARY AND CONFIDENTIAL INFORMATION BELONGING TO TECUMSEH DO BRASIL. IT IS TO BE USED ONLY FOR THE SPECIFIC CONDITION THAT IT APPEARS ON. IT IS NOT TO BE REPRODUCED OR TRANSMITTED IN ANY FORM OR BY ANY MEANS, ELECTRONIC OR MECHANICAL, INCLUDING PHOTOCOPYING, RECORDING, OR BY ANY INFORMATION STORAGE AND RETRIEVAL SYSTEM, WITHOUT THE WRITTEN CONSENT OF TECUMSEH DO BRASIL AND WITHOUT THE WRITTEN CONSENT OF THE SUPPLIER. ANY VIOLATION OF THIS NOTICE SHALL BE CAUSE FOR IMMEDIATE ACTION BY TECUMSEH DO BRASIL AND NOT OTHERWISE. (1/1) SHALL NOT BE COPIED OR TO ANY EXTENT WITH-OUT TECUMSEH DO BRASIL PRIOR EXPRESS AND SPECIFIC WRITTEN CONSENT AND (1/1) SHALL BE RETURNED BY THE RECIPIENT LATTER'S REQUEST PROMPTLY AFTER SUCH REQUEST IS MADE.		THIRD ANGLE PROJECTION 
UNITS: mm DRAWING SIZE: A2		
NAME: SALES COMPRESSOR PART NO.: DCAE196		
DATE: 09/06/11	REF.:	SCALE: 1:2 PAGE: 1/1 FAMILY: AE2