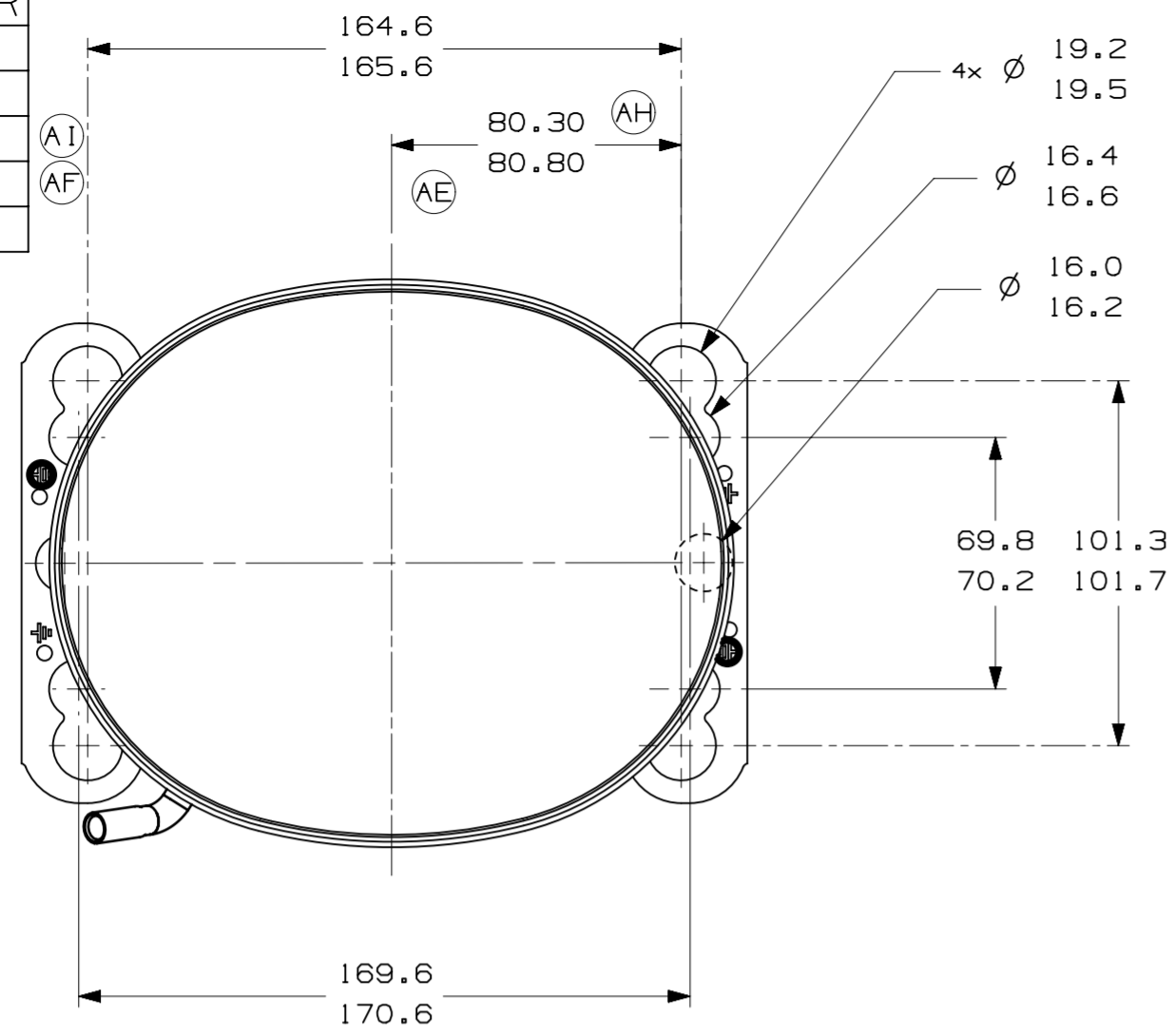
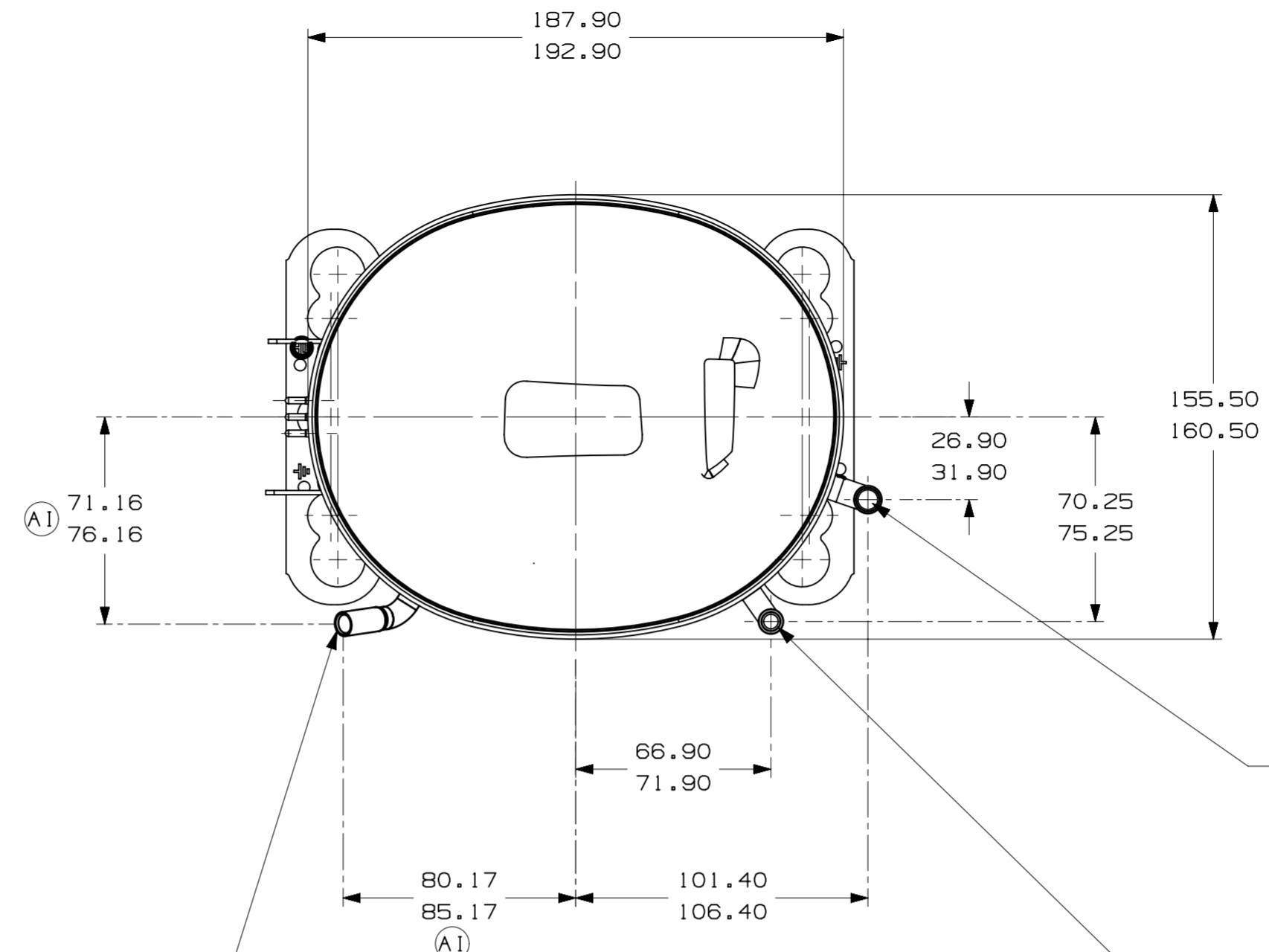


ITEM	PART NUMBER
A	320-10116
B	14963285
C	14947663
D	14963519
E	14963571



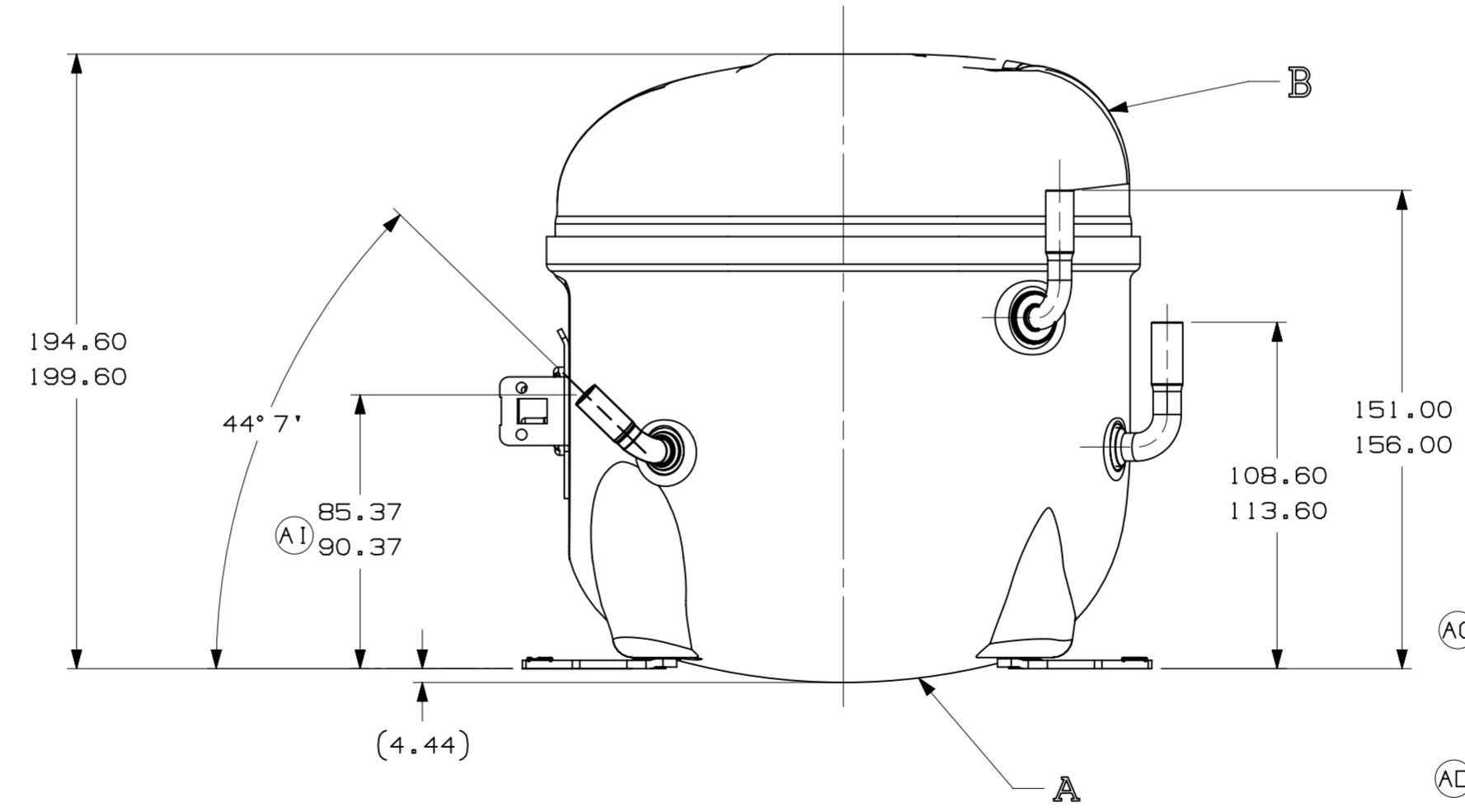
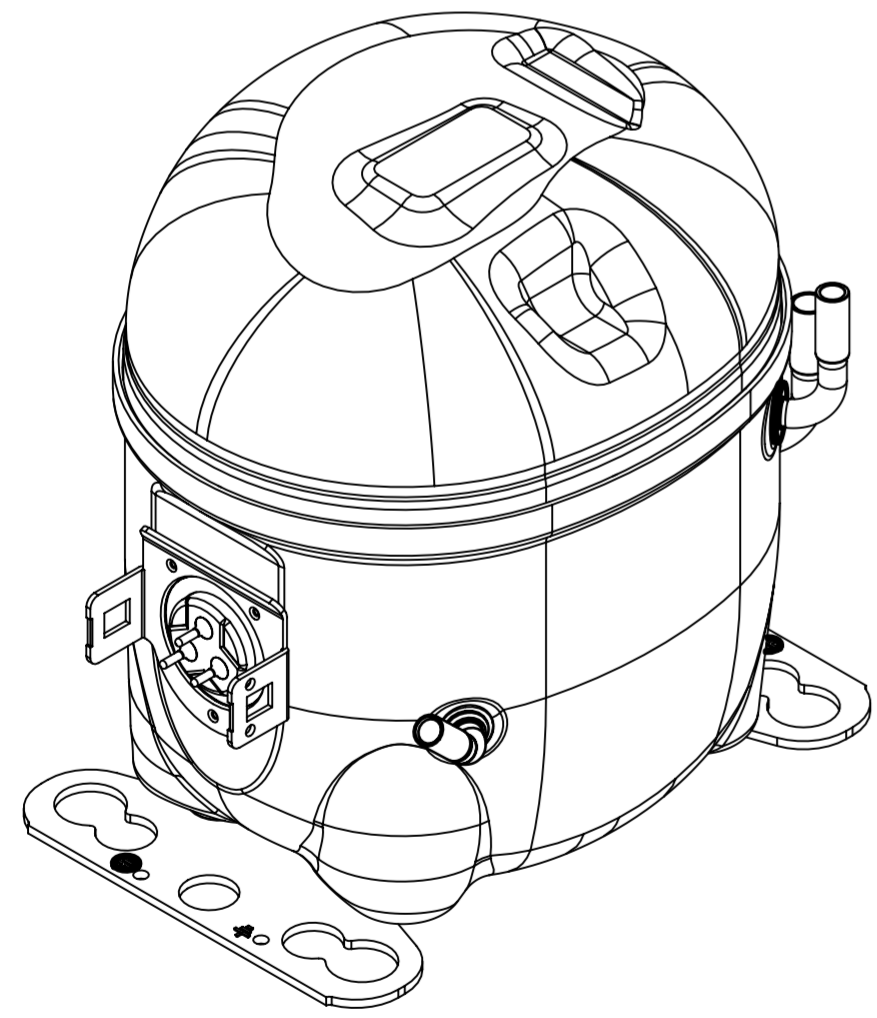
- AUXILIARY VIEW -
FASTENING DIMENSIONS



E- (COPPER) SUCTION TUBE
GAGE I.D. TO 8.00-8.10
× 15.00-17.00 DEEP.

D- (COPPER) DISCHARGE TUBE
GAGE I.D. TO 6.45-6.55
× 15.00-17.00 DEEP.

C- (COPPER) PROCESS TUBE
GAGE I.D. TO 6.45-6.55
× 15.00-17.00 DEEP.



- NOTES:
- 1- IF SPECIFIED IN BM. ASSEMBLE PARTS AS SHOWN.
 - 2- SEE SPEC. "A-B" & A-C FOR PROCESS.
 - 3- THERE CAN BE NO CREASES IN THE TUBES. (CREASES ARE SIGNS OR MARKS THAT ARE IN SOMETHING THAT BENDS)
 - 4- AFTER THE FOLDS IN THE TUBES, CANNOT BE ACCELERATED TO AREA EXCEEDING 30%.
 - 5- TUBES OF SUCTION, DISCHARGE AND PROCESS MUST BE FREE OF INK ON 15.8mm (5/8") FROM TOP OF THE TUBES AS SPEC. T.P.Co. A-B4.
 - 6- FOR SUPPLIER ENVIRONMENTAL REGULATORY REQUIREMENTS, SEE TECUMSEH GLOBAL SPEC. 08.

LT	LC	CHANGE	DATE
AA		LIBERACAO	22/08/11 J.B / A.M
AB	N/1	ALTERADO NOME ERA: BRDOND	07/11/11 J.B / W.C
AC	N/2	ACRESCENTADA NOTAS 3 E 4	08/06/12 P.S. / A.M
AD	N/2	ADICIONADO NOTA	13-01-13 AMP. / MF.
AE	F/7	ALTERADA MEDIDA ERA: 80-80-80	31-01-14 P.S.
AF	F/7	ALTERADO TUBO D ERA: 14963519	03-03-15 R.G.
AG	--	RETIRADO DETALHE (AREA ISENTA DE PINTURA)	06-06-16 AMP. / WC.
AH	F/6	ALTERADA MEDIDA ERA: 82,30-82,80 E ACRESC. NOTA 6	14-02-18 P.S.
AI	E5	ERA 72.10-77.10	02-05-22 SM. / R.G.
	F8	ERA 14963573	
	D4	ERA 86.60-91.60	
	B5	ERA 91.60-96.60	

THIS DRAWING OR PRINT (1) IS THE PROPERTY OF TECUMSEH DO BRASIL LTDA. AND CONTAINS PROPRIETARY AND CONFIDENTIAL INFORMATION BELONGING TO TECUMSEH DO BRASIL. IT IS TO BE USED ONLY FOR THE SPECIFIC PURPOSE AND SPECIFIC CONDITION THAT IT IS ISSUED FOR. IT IS NOT TO BE REPRODUCED, COPIED, EITHER IN WHOLE OR IN PART, OR TO BE USED FOR ANY OTHER PURPOSE WITHOUT THE EXPRESS AND SPECIFIC WRITTEN CONSENT OF TECUMSEH DO BRASIL AND WITHOUT THE EXPRESS AND SPECIFIC WRITTEN CONSENT OF THE RECIPIENT. ANY REUSE OR MODIFICATION OF THIS DRAWING OR PRINT WITHOUT THE EXPRESS AND SPECIFIC WRITTEN CONSENT OF TECUMSEH DO BRASIL IS STRICTLY PROHIBITED. ANY REUSE OR MODIFICATION OF THIS DRAWING OR PRINT WITHOUT THE EXPRESS AND SPECIFIC WRITTEN CONSENT OF TECUMSEH DO BRASIL IS STRICTLY PROHIBITED. ANY REUSE OR MODIFICATION OF THIS DRAWING OR PRINT WITHOUT THE EXPRESS AND SPECIFIC WRITTEN CONSENT OF TECUMSEH DO BRASIL IS STRICTLY PROHIBITED.

DO NOT SCALE THIS DRAWING. ALL FERROUS MATERIALS MUST NOT BE MAGNETIZED AS RECEIVED OR AT COMPRESSOR ASSEMBLY.

THIRD ANGLE PROJECTION

UNITS: mm

DRAWING SIZE: A2

0. A SYMBOLS AS PROCEDURE 2.01.031 TECUMSEH OF BRAZIL

★ = CATEGORY I
▲ = CATEGORY II
■ = CATEGORY III
● = CATEGORY IV

NAME: SALES COMPRESSOR

PART NO.: DCAE196

SCALE: 1:2

PAGE: 1/1

DATE: 09/06/11

REF.

FAMILY: AE2