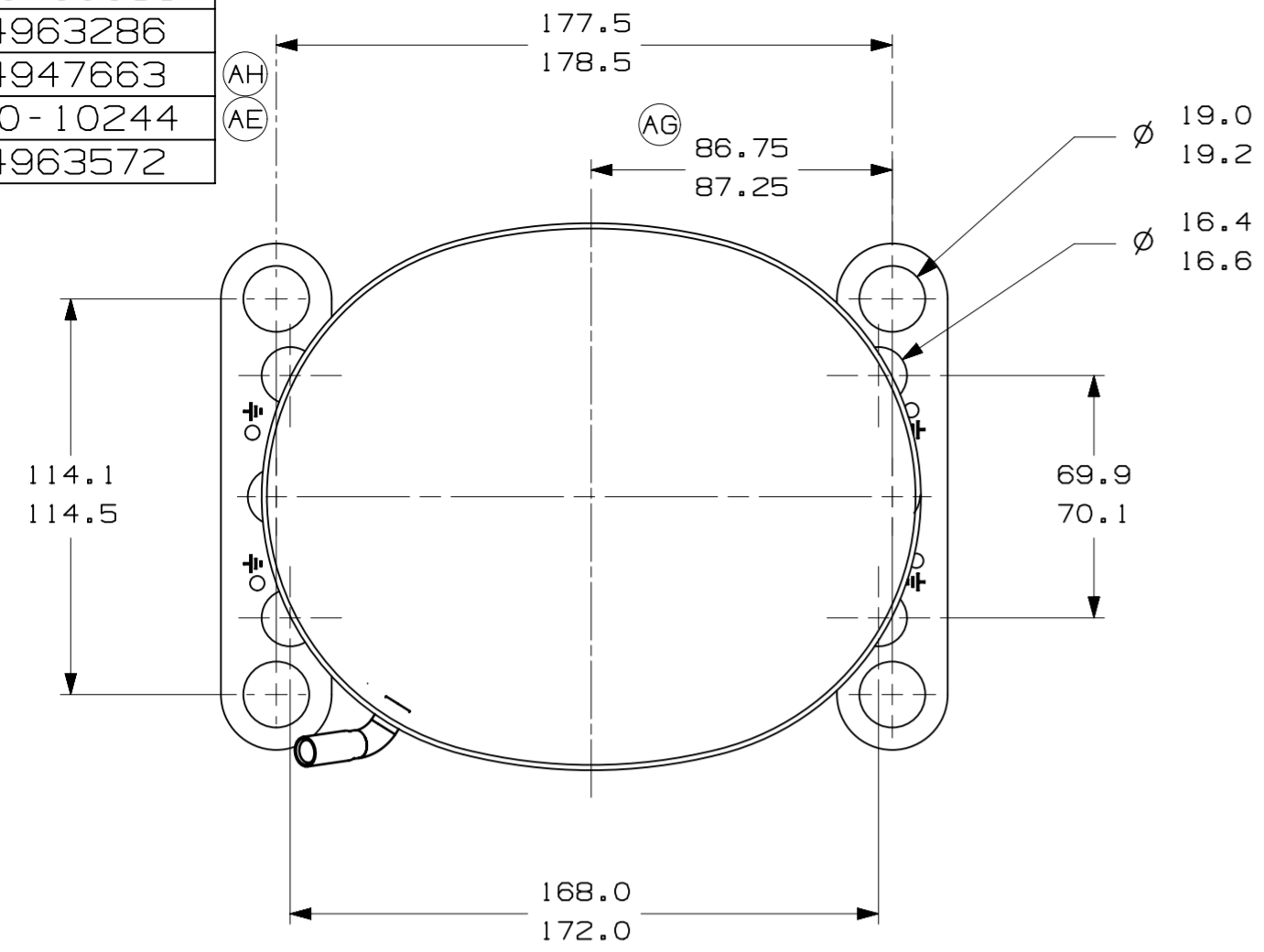
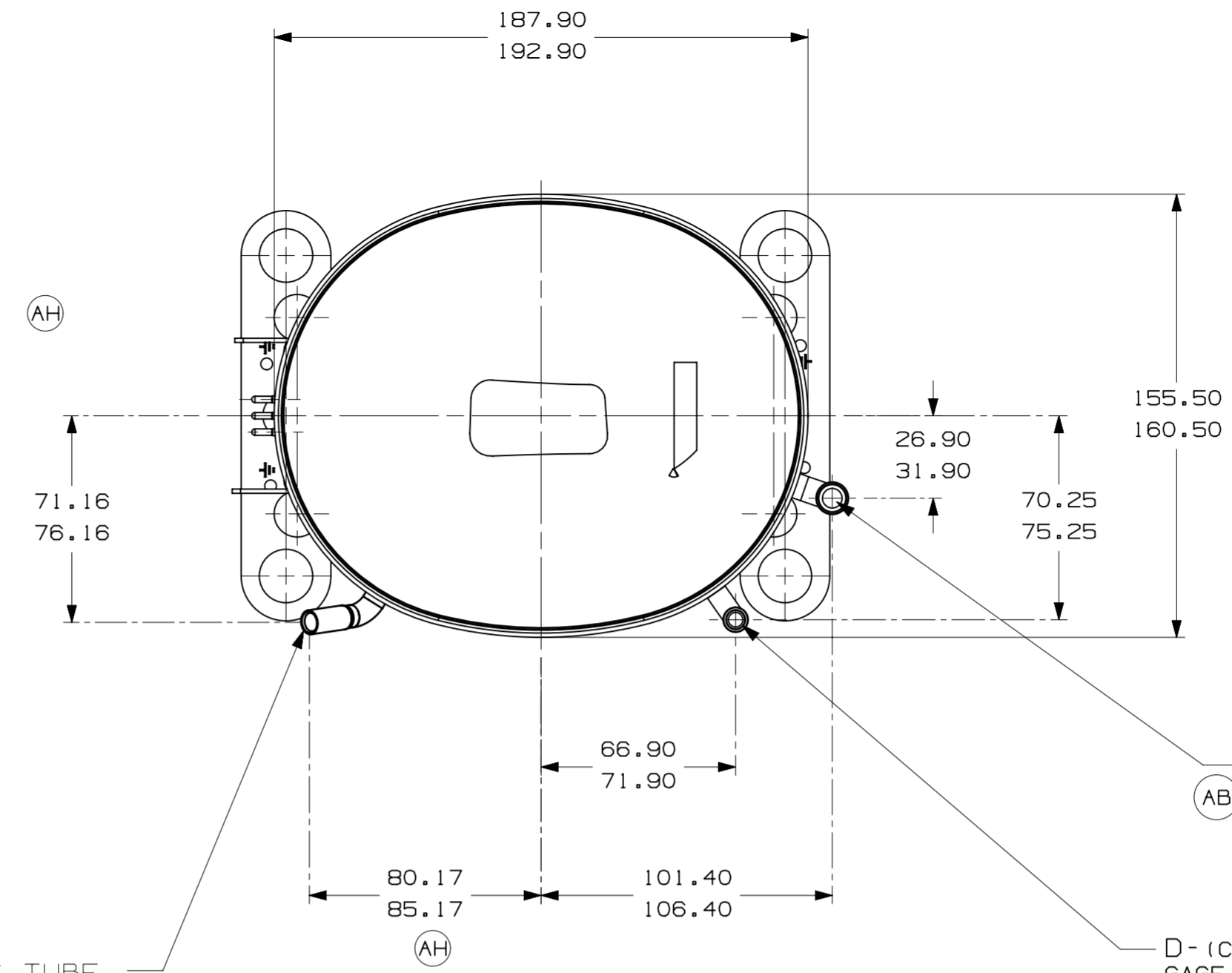


ITEM	PART NUMBER
A	320-10156
B	14963286
C	14947663
D	580-10244
E	14963572



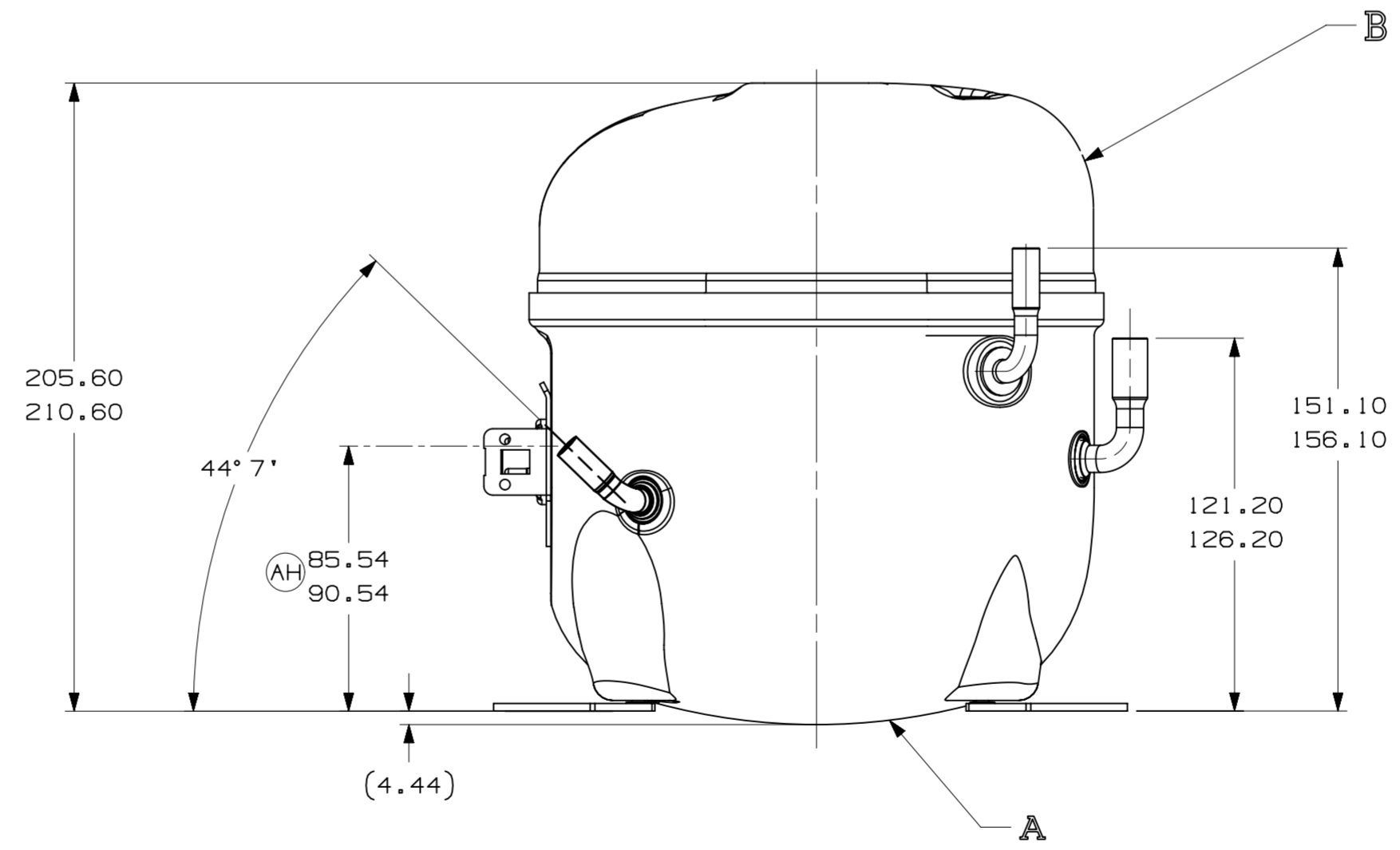
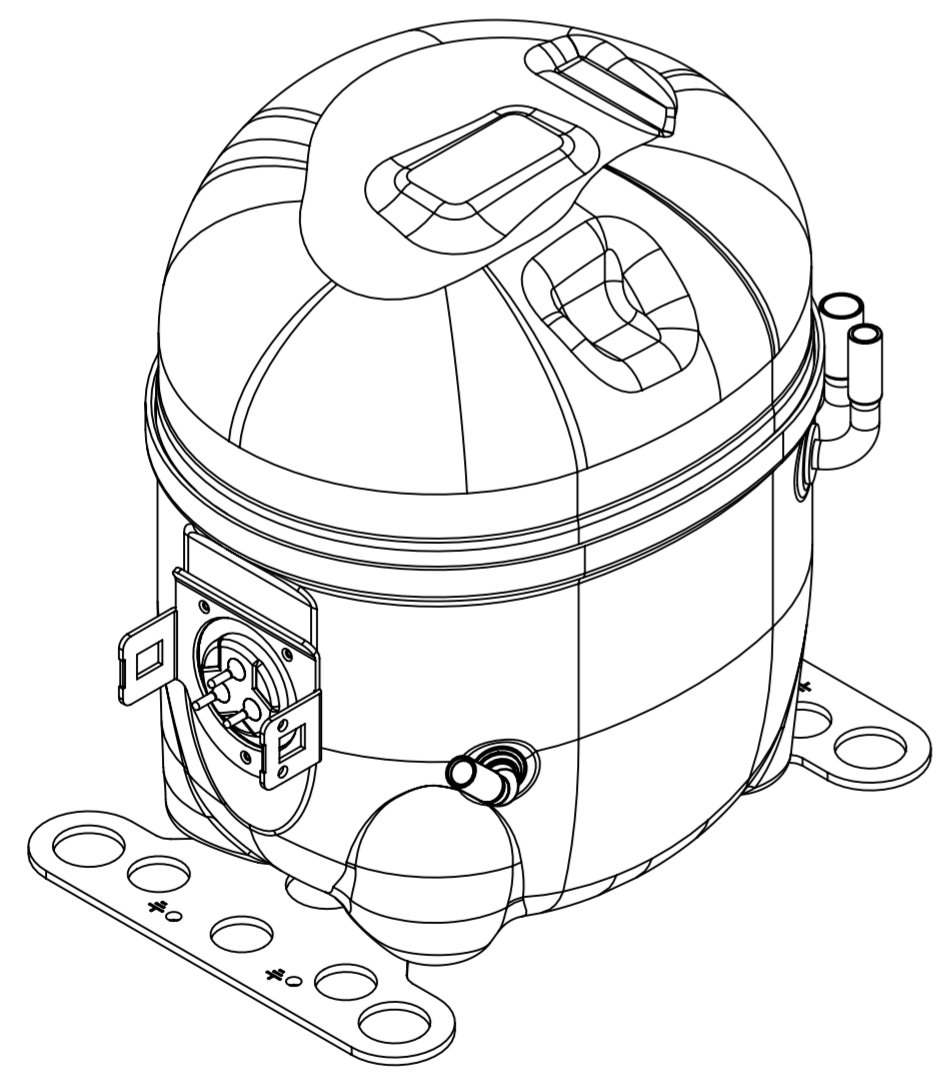
- AUXILIARY VIEW -
FASTENING DIMENSIONS



E- (COPPER) SUCTION TUBE
GAGE I.D. TO 9.6-9.7
× 15.00-17.00 DEEP.

D- (COPPER) DISCHARGE TUBE
GAGE I.D. TO 6.45-6.55
× 13.00-15.00 DEEP.

C- (COPPER) PROCESS TUBE
GAGE I.D. TO 6.45-6.55
× 15.00-17.00 DEEP.



- NOTES:
- IF SPECIFIED IN BM. ASSEMBLE PARTS AS SHOWN.
 - SEE SPEC. "A-B" & A-C FOR PROCESS.
 - THERE CAN BE NO CREASES IN THE TUBES. (CREASES ARE SIGNS OR MARKS THAT ARE IN SOMETHING THAT BENDS)
 - AFTER THE FOLDS IN THE TUBES, CANNOT BE ACCELERATED TO AREA EXCEEDING 30%.
 - TUBES OF SUCTION, DISCHARGE AND PROCESS MUST BE FREE OF INK ON 15.8mm (5/8") FROM TOP OF THE TUBES AS SPEC. T.P.Co. A-B4.
 - FOR SUPPLIER ENVIRONMENTAL REGULATORY REQUIREMENTS, SEE TECUMSEH GLOBAL SPEC. 08.

DATE	CHANGE	DESCRIPTION
02-05-22	GM. RG.	EC102387
02-02-19	W.C.	EC80775
08-06-16	W.C.	EC70368
03-03-15	RG.	EC59697
13-09-13	AMP. MF.	EC52840
08/06/12	PS. / A.M.	EC44035
21/12/11	AMP. / A.M.	EC42848
08/11/11	J.B. / A.M.	EC41424
		LIBERACAO

THIRD ANGLE PROJECTION

UNITS: mm

DRAWING SIZE: A2

0. A. SYMBOLS AS PROCEDURE 2.01.031 TECUMSEH OF BRAZIL

NAME: SALES COMPRESSOR

PART NO.: DCAE199

SCALE: 1:2

PAGE: 1/1

DATE: 22/09/11

REF.

FAMILY: AE2